

Save Maintenance Time & Costs Convert Older SRG Housing to new SSG Housing Style!

Replacing an older SRG housing with the new SSG housing allows you to simplify your routine filter service – no more separate gaskets at each filter change or removing a bolted on cover. SSG filters have radial seal end caps that provide a more reliable, consistent seal. Choose from an upper assembly conversion kit or you may want to install a complete new housing if your current SRG assembly needs repair or is reaching the end of its useful life.

HEAVY DUST



SRG Housing

Upper Body Conversion Kit

SSG Housing



Kit Order Information

SRG Housing Item No.	SRG to SSG Kit* Kit No.	SSG Housing Item No.
G200008	X009702	G200087
G200013	X009701	G200086
G290000	X009230	G290057
G290023	X009230	G290052
G290012	X009231	G290053

* The finish on the replacement kit upper assembly is a white, powdered-coated paint. Installation instructions are included with the kit.

Other Changes that Can Save you Time and \$\$ After Converting to an SSG!

Upgrade to Donaldson Endurance™ Filters

Donaldson Endurance, high efficiency filters are available for the the SSG product line. These filters have Donaldson advanced Ultra-Web® Filtration Technology to protect your engines from the smallest contaminant.



Install Dust Dumpa

Dust Dumpa is a direct replacement to our dust cups. You can greatly reduce, if not eliminate, the routine step of emptying the dust cup - two models available X006561 [left] and X006562 [right] .



SRG Donaclone Protects the Largest Engines

For Newer Technologies, Spec the SSG Air Cleaner or Convert Old Models to SSG Style!

Upgrade old SRG housings two ways: upgrade kit or a new SSG air cleaner!

Applications

- Allows 1700 to 4080 cfm airflow throughput per air cleaner – use two air cleaners to double airflow throughput
- Designed for large, high horsepower, off-road equipment
- For large engines operating in severe dust environments

A huge double-unit SRG29 engine air cleaner, protects this haul truck under severely dusty operating conditions. The SRG29 has three dust cups on the bottom of the unit.



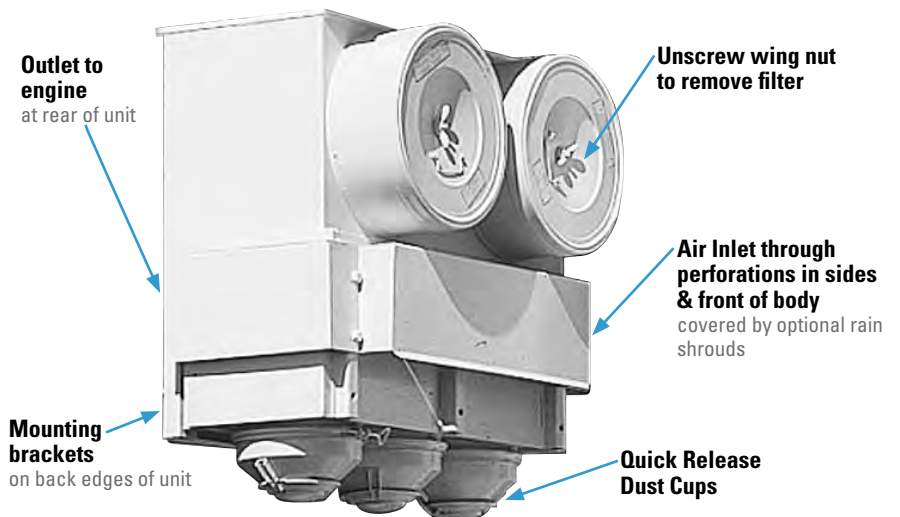
Air Cleaner Features

- Single outlet: SRG20 (1 filter)
- Dual outlet: SRG29 (2 filters)
- Very reliable! Only one critical filter seal! No moving parts!
- Built-in Donaclone pre-cleaning tubes separate up to 97% of incoming dust to dust cup before it reaches the filter
- SRG air cleaners are finished with a red oxide primer, ready to be painted to match your equipment
- Dust cup options:
 - Dust Cup Kit with Dust Dumpa
 - Quick-release, for manual dumping (shipped with SRG initially)
 - Vacuator Valve, for automatic dumping (optional replacement style)
- Vertical mounting
- Perforated inlets on all models
- Heavy metal rain shrouds available optionally
- Taps for filter service indicators on all models

This SRG20 (single outlet style) with rain shroud is easy to service because the access cover, which is out front, is attached to the filter. Simply unscrew the wing nut and pull the filter out horizontally. Inside, a safety filter protects the air inlet during filter changeout.



HEAVY DUST



STOP!

The SRG air cleaner models will be phased out over time and replaced with our new SSG air cleaners with design improvements over this style.

Upgrade from SRG housings to new SSG!

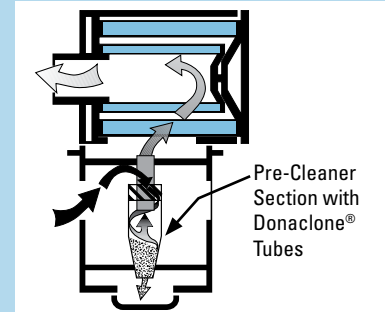
SRG Model	SSG Model
G200008	G200087
G200013	G200086
G290000	G290057
G290023	G290052
G290012	G290053

Initial Airflow Restriction

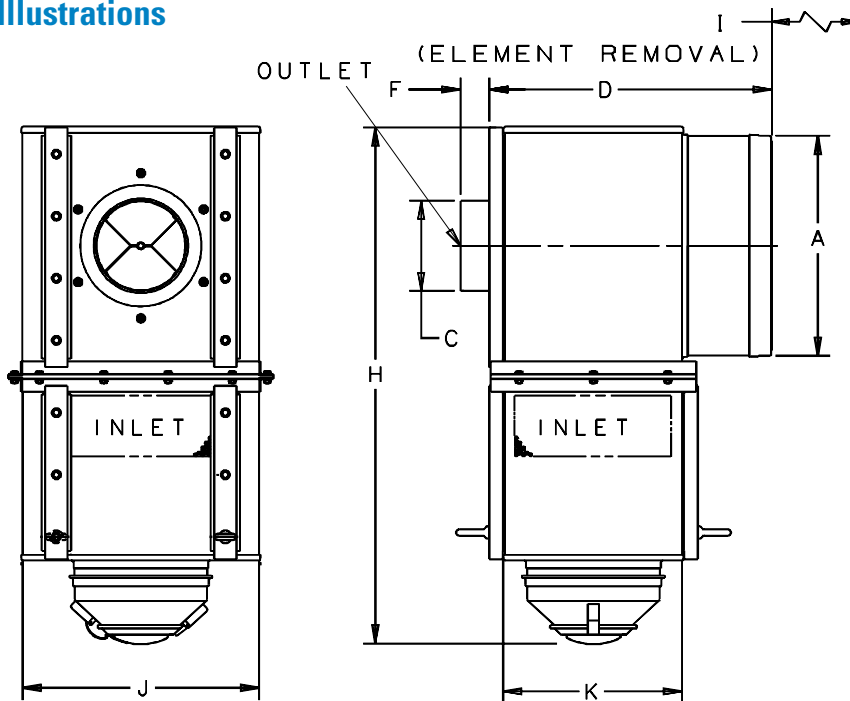
CFM @ "H2O		Air Cleaner Model
6"	8"	
1700	1980	G200008
1780	2060	G200013
2580	3000	G290000
3340	3800	G290023
3600	4080	G290012

Airflow Pattern "G"

Air in the side, through the pre-cleaner, out the end of the air cleaner (upper) portion.



SRG Specification Illustrations



SRG Specifications

Air Cleaner Models	Body Diameter (A)		Outlet Diameter (B)		Length (C)		Outlet Length (D)		(H)		Service Clearance (I)		Width (G)		Depth (K)		Service Indicator Tap	Weight	
	in	mm	in	mm	in	mm	in	mm	in	mm	in	mm	in	mm	in	mm		lbs	kg
SINGLE OUTLET MODELS																			
G200008	19.50	495	8.00	203	25.03	636	2.54	65	46.13	1172	23.75	603	21.00	533	15.75	400	Yes	225	102
G200013	19.50	495	10.00	254	25.03	636	2.54	65	46.13	1172	23.75	603	21.00	533	15.75	400	Yes	200	91
DUAL OUTLET MODELS																			
G290000	19.50	495	8.00	203	25.03	636	2.54	65	45.28	1150	23.75	603	43.00	1092	15.75	400	Yes	340	154
G290012	19.50	495	10.00	254	25.03	636	2.54	65	45.28	1150	23.75	603	43.00	1092	15.75	400	Yes	340	154
G290023	19.50	495	8.00	203	25.03	636	2.54	65	45.28	1150	23.75	603	43.00	1092	15.75	400	Yes	340	154

HEAVY DUST

SRG20 Service Parts

Primary Filter Choices

G200008

filter, primary - SM P181038
 filter, primary - ES & HE EAF5038
 filter, primary P1820383

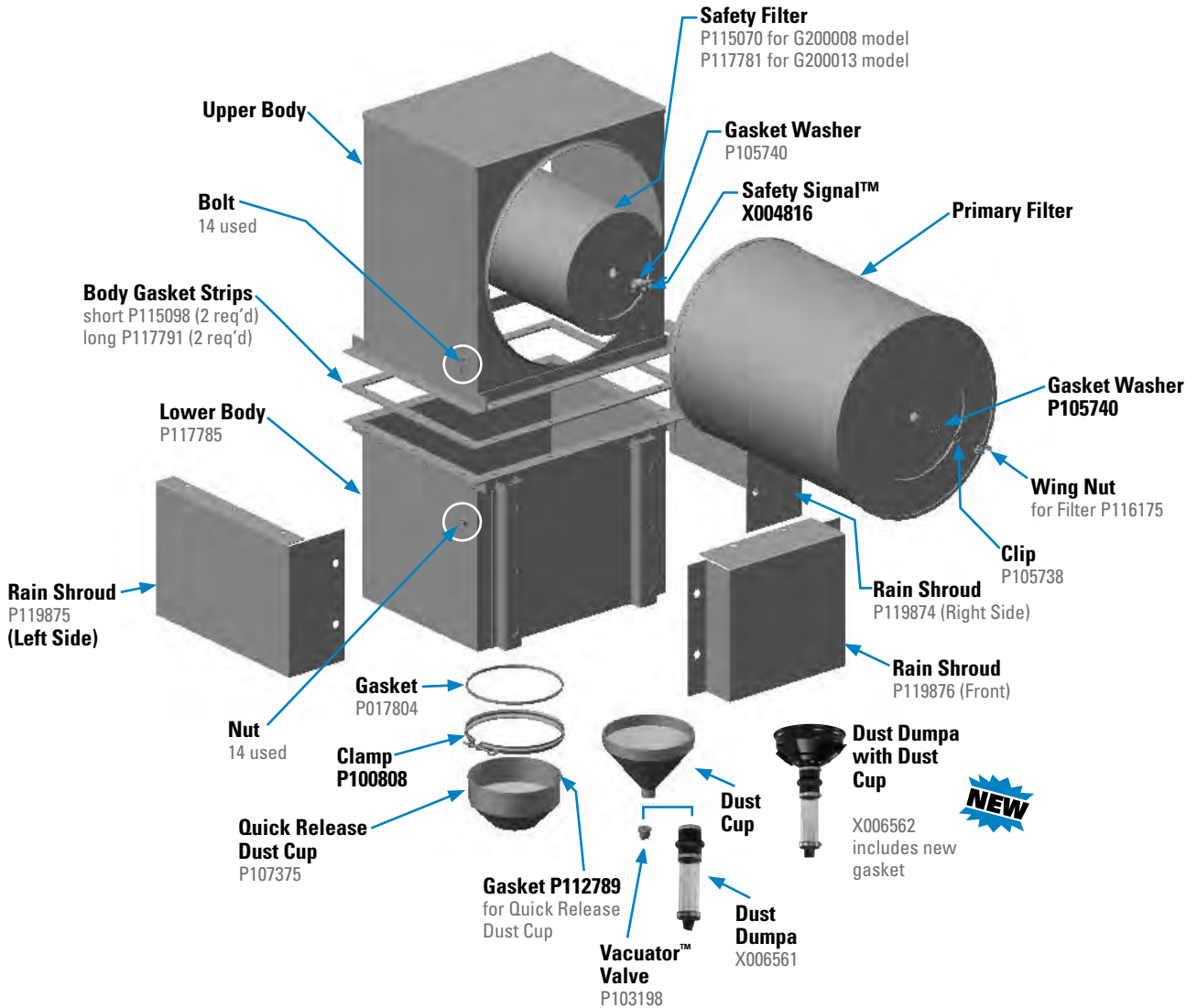
G200013

filter, primary - SM P181040
 filter, primary - ES & HE EAF5040
 filter, primary P182040 3

NOTES:

3 = Shipped with air cleaner initially

ES = Extended Service
 HE = High Efficiency
 SM = Scheduled Maintenance



Donaclone Tubes



The pre-cleaner of our SRG and STG air cleaners consists of a cluster of hundreds of Donaclone tubes positioned ahead of the primary filter. The Donaclone tube has no mechanical moving parts, so there's nothing to break down; it works automatically and properly whenever the engine is on.

Air is drawn into the tube and spun. Centrifugal force separates much of the dirt in the airstream. Dirt falls out the bottom of the tube, while the cleaned air is drawn up the through the middle of the tube, into the primary filter for further cleaning. Using the pre-cleaner as a first stage of filtration results in more effective engine air filtration and longer service life for the primary filter.

SRG Maintenance Training DVD (item F115259) available upon request. Contact your local Donaldson distributor or Territory Manager for a FREE copy! Available in English, Spanish & Portuguese



SRG29 Service Parts

Primary Filter Choices

G290000 & G290023

filter, primary - SM P181038
 filter, primary - ES & HE..... EAF5038
 filter, primary..... P1820383

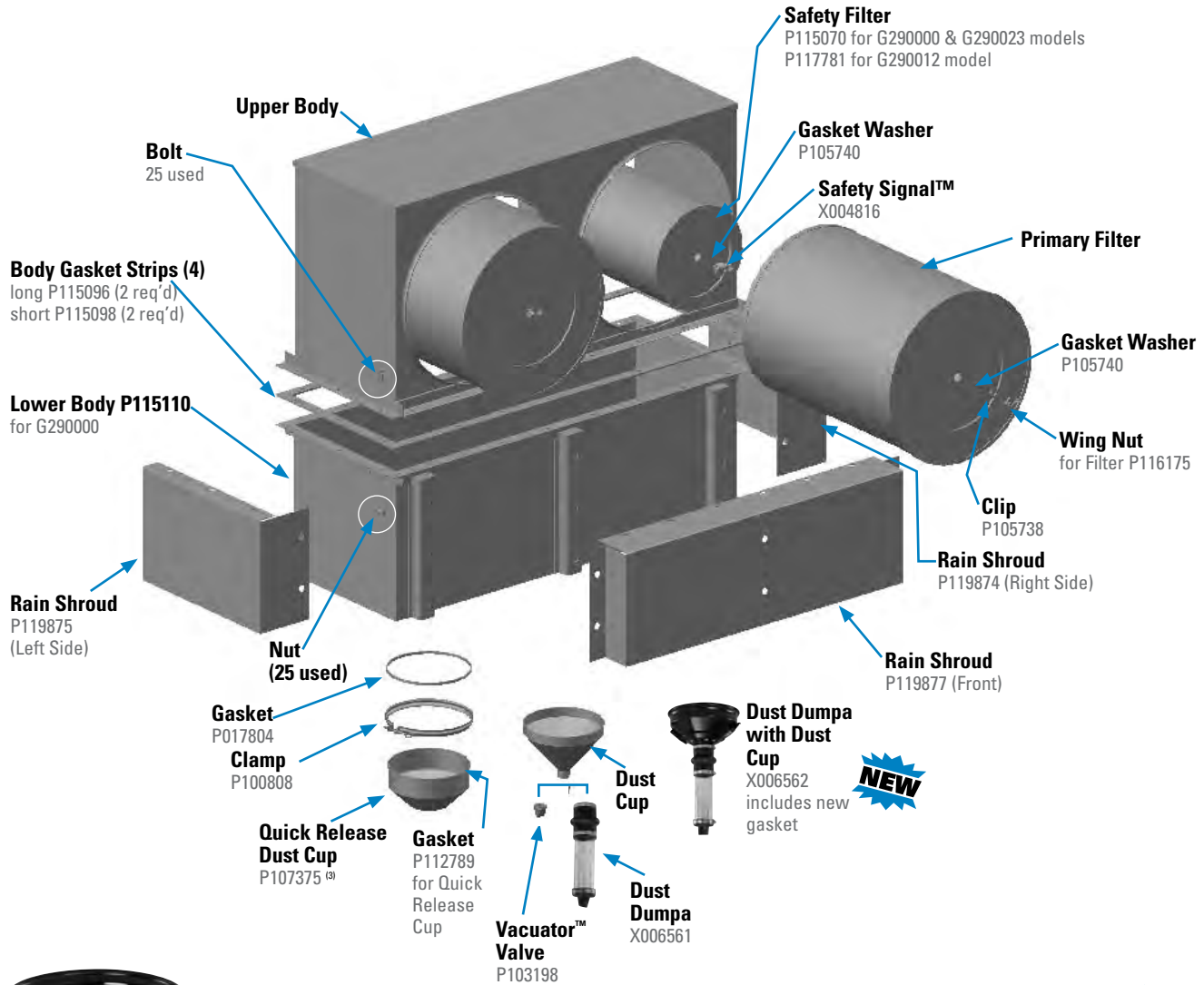
G290012 Filters

filter, primary - SM P181040
 filter, primary - ES & HE..... EAF5040
 filter, primary..... P1820403

NOTES:

3 = Shipped with air cleaner initially

ES = Extended Service
 HE = High Efficiency
 SM = Scheduled Maintenance



Part No.
X006562

Dust Dumpa Tube Extension

How it works: When installed on the dust cups on the lower assembly, the rubber connector vibrates during normal vehicle operation and gravity expels the pre-cleaned dust.

- Improves dust evacuation from the air cleaner
- Clear tube allows for visual inspection of dust collection

- Reduces air cleaner inspection time
- Ships fully assembled
- Proper conversion requires a Dust Dump tube extension for every dust cup

Order X006562 if your housing has a quick release style dust cup. Order X006561 if regular dust cup.

For more information, see accessories section.

