

Full-View Pre-Cleaner Helps Extend Filter Life on Agricultural & Construction Equipment

Features

- Recommended mounting: on top of the engine intake stack
- Centrifugal force in bowl separates up to 75% of incoming dust before it enters the engine air intake system
- Low maintenance!
- Durable, lightweight, noncorrosive construction
- Full-view plastic bowl lets operator easily see when service is needed
- One-bolt cover retention for service when dirt reaches the level of the arrow, remove top nut and plastic body then empty – no tools required
- Mounting clamp included



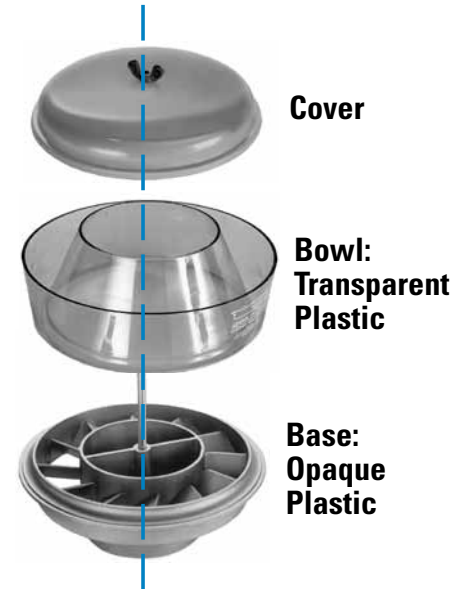
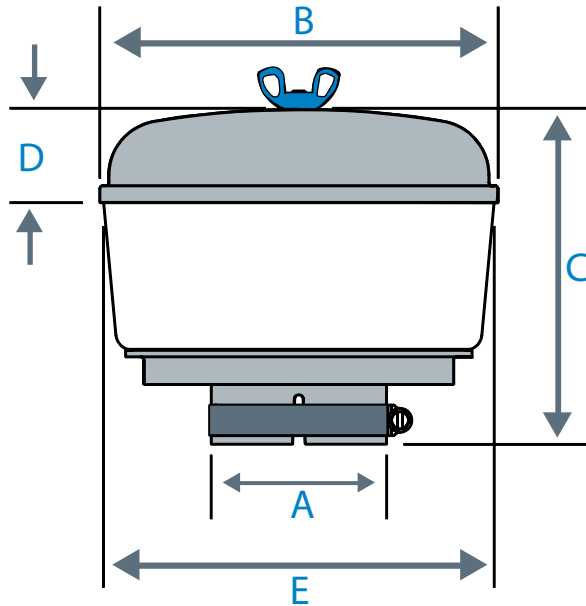
Tired of Emptying the Cup!

Donaldson has a new pre-cleaner called TopSpin™. Before you consider replacing your full-view pre-cleaner with another one, check out the TopSpin models on the previous two pages.



Upgrade Path

Full-View Pre-Cleaner	TopSpin Pre-Cleaner
H000820.....	H002425
H000821.....	H002426
H000858.....	H002394
H000823.....	H002427
H001250.....	H002435
H001251.....	H002436
H001249.....	H002437
H001823.....	H002434
H002043.....	H002433
H002044.....	H002432
H002045.....	H002431
H002223.....	H002438
H002224.....	H002439



Full-View Pre-Cleaners Specifications

Inlet (ID/OD)		B		C		D		E		Weight		Entire F.V. Pre-Cleaner	Replacement		Max. Airflow CFM
A											Cover		Bowl		
in	mm	in	mm	in	mm	in	mm	in	mm	lbs	kg				
1.75	44	5.59	142	4.75	121	1.72	44	5.50	140	0.8	0.37	H002042	P020116	P020115	80
2.00	51	5.59	142	4.75	121	1.72	44	5.50	140	0.9	0.41	H002040	P020116	P020115	90
		7.34	186	6.19	157	1.72	44	7.25	184	1.4	0.64	H001823 ¹	P020648	P020227	110
2.25	57	7.34	186	6.19	157	1.72	44	7.25	184	1.5	0.68	H001250	P020648	P020227	130
2.50	64	7.34	186	6.19	157	1.72	44	7.25	184	1.5	0.68	H001251	P020648	P020227	150
3.00	76	7.34	186	6.19	157	1.72	44	7.25	184	1.6	0.73	H001249	P020648	P020227	170
		10.63	270	7.66	195	1.84	47	10.50	267	3.4	1.54	H000820 ¹	P016548	P016330	320
3.75	95	10.63	270	7.66	195	1.84	47	10.50	267	3.4	1.54	H000821	P016548	P016330	330
4.00	102	10.63	270	7.66	195	1.84	47	10.50	267	3.4	1.54	H000858	P016548	P016330	340
		12.06	306	8.19	208	2.00	51	11.94	303	4.5	2.04	H002045 ¹	P020345	P020344	660
4.50	114	10.63	270	7.66	195	1.84	47	10.50	267	3.4	1.54	H000823	P016548	P016330	340
		12.06	306	8.19	208	2.00	51	11.94	303	4.5	2.04	H002044 ¹	P020345	P020344	700
5.00	127	12.06	306	7.69	195	2.00	51	11.94	303	4.5	2.04	H002043	P020345	P020344	740
6.00	152	16.25	413	10.00	254	2.81	71	15.94	405	9.2	4.17	H002223	P104691	P158324	1300
7.00	178	16.25	413	10.00	254	2.81	71	15.94	405	9.2	4.17	H002224	P104691	P158324	1500

1 - Heavy Duty Option