

Dust Dumpa Tube Extension For PSD, SRG, STG & SSG Air Cleaners



Replacement to Your Existing Dust Cup Assembly



Application

- Donaldson SRG, SSG, STG and PowerCore® PSD Air Cleaners

How It Works

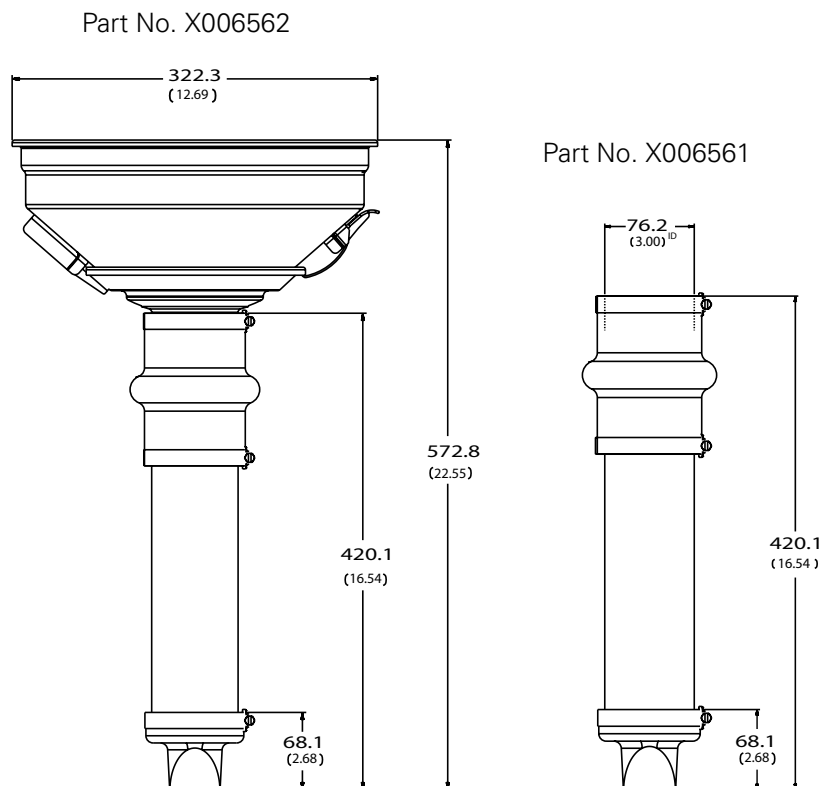
When installed on the dust cups on the lower assembly, the rubber connector vibrates during normal vehicle operation and gravity expels the pre-cleaned dust.

Features

- Improves dust evacuation from the air cleaner
- Clear tube allows for visual inspection of dust collection
- Improves safety of the air cleaner inspection process by eliminating the need for ladders or elevated platforms for daily inspections
- Allows operators to perform walk around inspections
- Keeps operators and maintenance personnel away from the nuisance dust normally encountered during air cleaner servicing operations.
- Improves vehicle up time by minimizing pre/post –shift air cleaner inspections, thus facilitating increased air cleaner service intervals.
- Reduces air cleaner inspection time
- Ships fully assembled
- Proper conversion requires drop down tube for every dust cup



If the above maintenance practice looks familiar, adding the X006561 Dust Dumpa extension to the dust cups of the air cleaner will save you maintenance time and will minimize your employees exposure to nuisance dust during service.



Available for SRG and SSG Air Cleaners



Three kits required for S Series double-inlet models. For proper performance all dust cups must have the new Dust Dumpa installed.

Dust Dumpa applied to PSD PowerCore® Air Cleaners



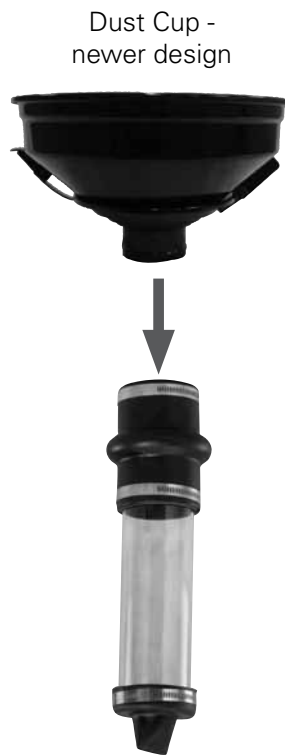
Dust Dumpa + PSD air cleaners extended the filter service life for a geothermal drill rig in Australia.



For Conversion
Order Kit X006562



For Conversion
Order Kit X006561



For Conversion
Order Kit X006561

