

2.5" (64mm) Inlet & Outlet Off-Road Exhaust System Products



From manifolds to tailpipes, only one company delivers this range of components in such a wide variety of sizes—Donaldson!

Mufflers

- Five muffler styles
- Mounts or installs in any position
- Aluminized steel construction
- All round with domed ends
- Slotted inlet/outlet connections
- Mufflers and body bands have matching black matte high temperature finish
- Estimated attenuation 12-18 dBA

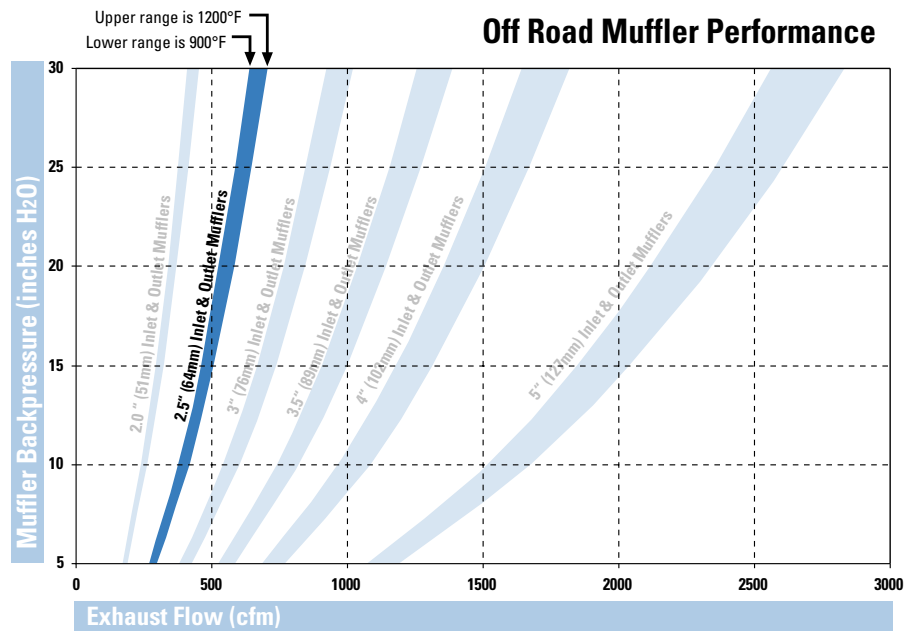
Compliment your System with Aluminized Steel Accessories

- Elbows
- Variety of clamps
- Tubes and pipes
- Connectors
- Stack caps

Donaldson®

2.5^{inches} 64^{mm} Inlet & Outlet Connection Mufflers

- Five muffler styles – all in-stock
- Mount or install in any position
- Aluminized steel construction
- All round with domed ends
- Slotted inlet/outlet connections
- Black matte high temperature finish
- Estimated attenuation 12-18 dBA



Converting from inches of water to inches of Mercury? Use this conversion: 13.6" H₂O = 1" Hg

Aluminized Steel Accessories for 2.5" (64mm) Systems

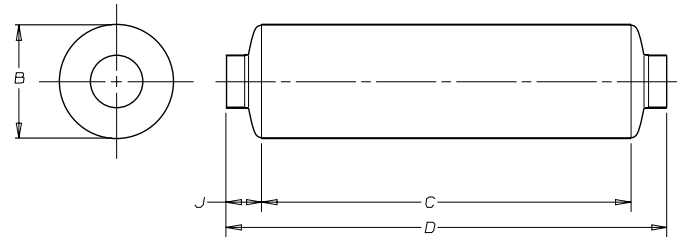
Part Description	Part Numbers
Elbow 90°	O.D.-O.D. - P207324
	O.D.-I.D. - P206339, P207335
Elbow 45°	O.D.-O.D. - P207349
	O.D.-I.D. - P206279
Connector	I.D.-I.D. - P206371
	O.D.-O.D. - P206361
Straight Pipe	P206333 (10 ft./3m length)
Clamps	MaxGrip™ Bent Bolt - M001756
	Band Clamp - J190052 (not aluminized)
Muffler Body Band	M002118 (finish matches muffler)
Stack Cap	P270534 (zinc)
Spark Arrestor	M065030

For other in-stock exhaust accessories and sizes, ask for a copy of Donaldson Exhaust Catalog, No. F110028.

2.5" (64mm) Inlet/Outlet Muffler Specifications

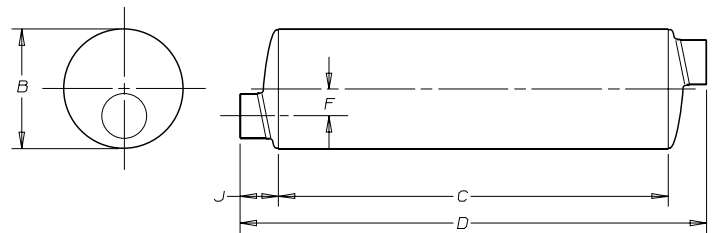
Style 1

Part No. M065138	inches	mm
Inlet & Outlet Slotted I.D.:	2.50	63.5
(B) Body Diameter:	6.50	165
(C) Body Length:	18.00	457
(D) Overall Length:	24.00	610
(J) Tube Length:	3.00	76
Weight:	9.8 lbs	4.45 kg



Style 2

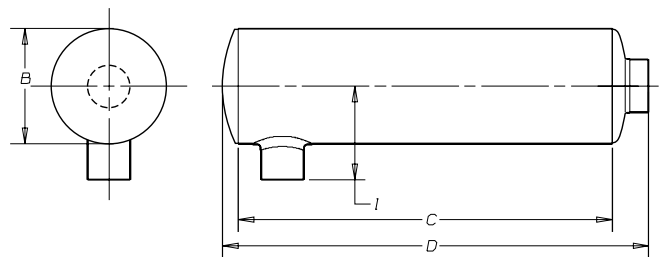
Part No. M065139	inches	mm
Inlet & Outlet Slotted I.D.:	2.50	63.5
(B) Body Diameter:	6.50	165
(C) Body Length:	18.00	457
(D) Overall Length:	24.00	610
(F) Offset Tube:	1.62 (2)	41 (2)
(J) Tube Length:	3.00	76
Weight:	9.8 lbs	4.45 kg



Style 3

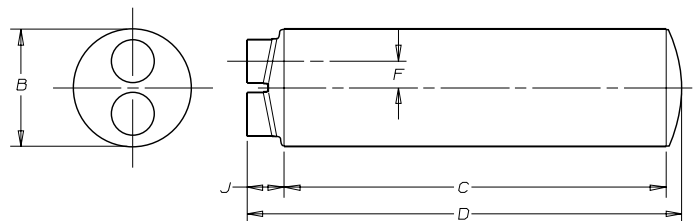
Part No. M065140	inches	mm
Inlet & Outlet Slotted I.D.:	2.50	63.5
(B) Body Diameter:	6.50	165
(C) Body Length:	18.00	457
(D) Overall Length:	21.95	558
(I) Tube Length:	5.75	146
Weight:	10 lbs	4.51 kg

Note: Flows in either direction



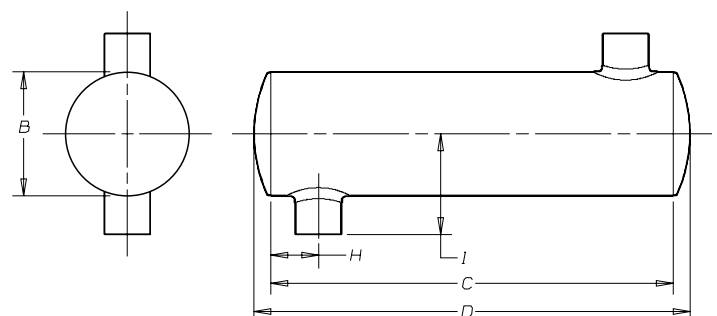
Style 5

Part No. M065141	inches	mm
Inlet & Outlet Slotted I.D.:	2.50	63.5
(B) Body Diameter:	6.50	165
(C) Body Length:	18.00	457
(D) Overall Length:	21.95	558
(F) Offset Tube:	1.63 (2)	41 (2)
(J) Tube Length:	3.00	76
Weight:	10.6 lbs	4.79 kg



Style 6

Part No. M065142	inches	mm
Inlet & Outlet Slotted I.D.:	2.50	63.5
(B) Body Diameter:	6.50	165
(C) Body Length:	18.00	457
(D) Overall Length:	19.90	505
(H) Tube Location:	2.50 (2)	64 (2)
(I) Tube Length:	5.75 (2)	146 (2)
Weight:	9.4 lbs	4.24 kg





Donaldson®

Donaldson Company, Inc.
Minneapolis, MN
55440-1299

www.donaldson.com

Brochure No. F111102 (7/05)

© 2005 Printed in the U.S.A.
Equal Opportunity Employer
Donaldson Company, Inc. reserves the
right to change or discontinue any model or
specification at any time and without notice.

United States & Canada
Tel: 952-887-3131

Belgium
Tel: 32-16-38-3811

Hong Kong
Tel: 852-2-2402-2803

Australia
Tel: 612-4350-2033