



Caps, Plugs, Vents

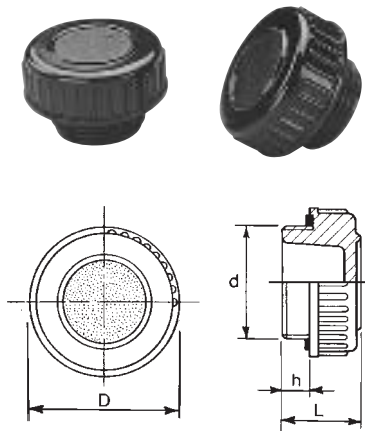
Features

Caps, plugs and vents are used to prevent oil spills, seal reservoirs, tanks and crankcases. They are available in plastic resins and a variety of thread configurations. Vents keep positive pressure in crankcases and eliminate air exchange, which can cause condensation in the lubrication fluids. Lubrication oil contaminated with moisture from condensation has a reduced life and poor lubrication quality. Pressurized vents allow for thermal expansion of the fluids during machine operation.



T-240 Caps

Donaldson Part No.	Description	d Size	h (in./mm)	D (in./mm)	L (in./mm)
P562466	T-240-06	3/8" BSP	.35/9	1.02/26	.83/21
P562467	T-240-08	1/2" BSP	.39/10	1.26/32	.94/24
P562468	T-240-12	3/4" BSP	.39/10	1.53/39	.98/25
P562469	T-240-16	1" BSP	.47/12	1.77/45	1.10/28
P562470	T-240-20	1-1/4" BSP	.47/12	2.16/55	1.22/31
P562471	T-240-24	1-1/2" BSP	.47/12	2.40/61	1.34/34



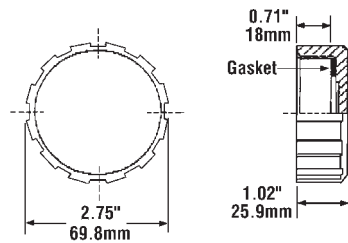
Black duroplast, resistant to solvents, oils, grease and other chemical agents
 Square cut BunaN synthetic rubber seal ring

Maximum continuous working temperature: 250°F / 120°C
 Can be supplied with dipstick option

FC Cap

Donaldson Part No.	Description	Feature
P562475	FC-32-N	2" NPT/BSP Cap

Special black matte finish glass fiber reinforced technopolymer
 Maximum operating temperature: 212°F / 100°C

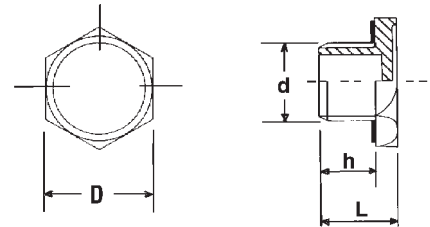


Accessories



TN Plugs

Donaldson Part No.	Description	d Size	h (in./mm)	D (in./mm)	L (in./mm)
P562459	TN-04	1/4" NPT	.35/9	.75/19	.63/16
P562460	TN-06	3/8" NPT	.35/9	.87/22	.63/16
P562464	TN-08	1/2" NPT	.43/11	1.02/26	.71/18
P562465	TN-12	3/4" NPT	.47/12	1.25/32	.79/20

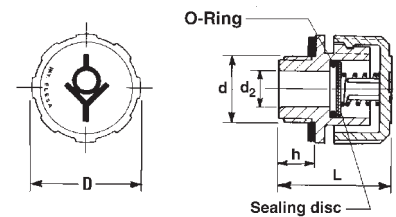


Special black matte finish glass fiber reinforced technopolymer
Resistant to solvents, oils, grease and other chemical agents

Square cut BunaN seal ring
Maximum continuous working temperatures: 266°F / 130°C

SFV Vents

Donaldson Part No.	Description	d Size	h (in./mm)	D (in./mm)	L (in./mm)	d ₂ (in./mm)	Valve Setting mb
P562472	SFV-06-N	3/8" NPT	.39/10	1.22/31	1.18/30	.39/10	100
P562473	SFV-08-N	1/2" NPT	.39/10	1.22/31	1.18/30	.39/10	100



Unidirectional gaseous venting
Special polyamide technopolymer, RAL 2004 orange cover with graphic symbol "valve", and black threaded connector
Resistant to solvents, oils, greases and other chemical agents

Square cut BunaN synthetic rubber seal ring
Aluminum valve covered with adhesion-resistant material sealing against an O-Ring
Stainless steel spring
Valve setting 100mb: valve opens when pressure exceeds 1.4 PSI / 0.100 bar