

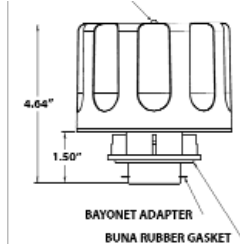
# T.R.A.P.™ Breather Specifications

New breather technology eliminates moisture and dirt from hydraulic reservoirs

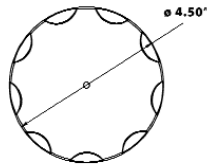


## P565616 P566156 (no indicator version)

Available with or without electronic indicator

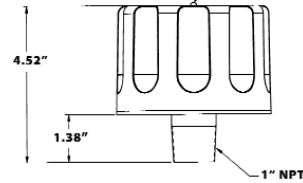


### Top View

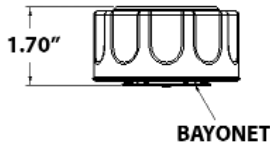


## P564669 P566151 (no indicator version)

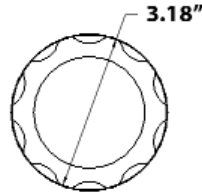
Available with or without electronic indicator



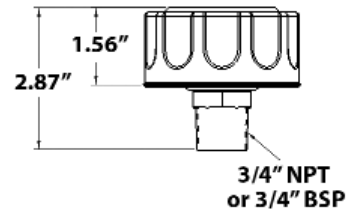
## P565858



### Top View



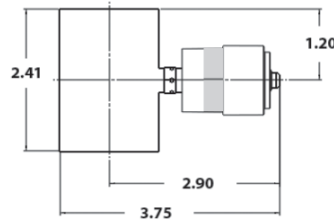
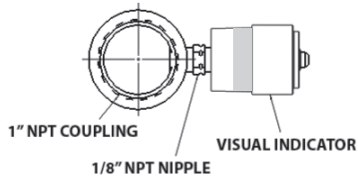
## P565857 (3/4" NPT version) P566037 (3/4" BSP version)



## Mechanical Indicator Kit P566168

Suitable for use with P566151 and P565857\*

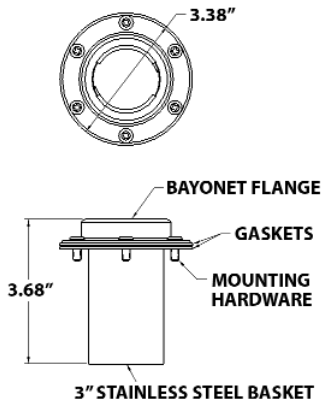
\*Requires additional 3/4" x 1" reducer bushing (supplied by customer)



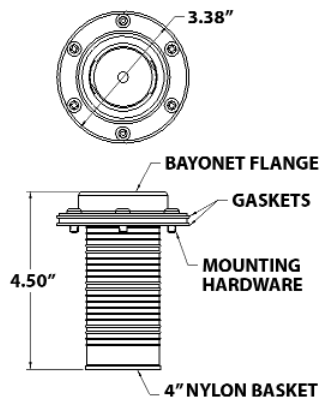
## Bayonet Style Filler Basket/Flange Kits

Use with any bayonet style T.R.A.P. Breather

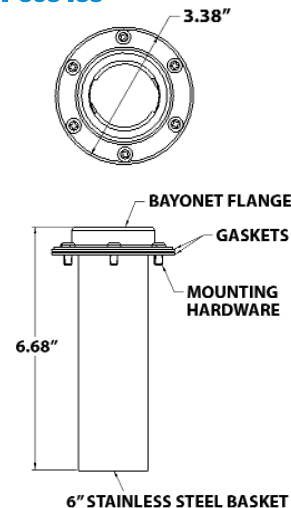
### P566321



### P563874



### P563453



Donaldson®

## Technical Features

- **Particulate Filter**

Highly efficient pleated particulate filter stops particle sizes down to 3  $\mu\text{m}$  at 97%.

- **Operating Temperature Range**

-40°F to +200°F / -40°C to 66°C

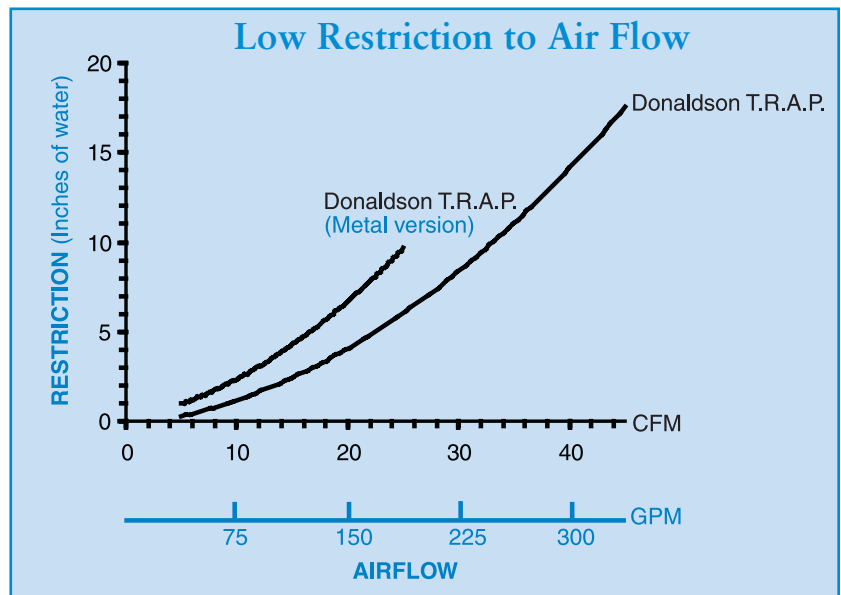
- **Electronic Indicator**

Actuated by pressure differential, flashes red to indicate change out is needed. Indicator setting, 1 PSID.

Indicator power source:  
3V lithium battery CR2032

- **Mechanical Indicator Kit**

Install kit between reservoir and T.R.A.P. breather. Lock-up style indicator with manual reset. Highly visible, bright red band shows when restriction limit is reached. Indicator setting, 20" H<sub>2</sub>O.



Apply T.R.A.P. based on fluid exchange rate, not reservoir size.

## T.R.A.P. Breather... Moisture meets its match.

Part Number	Construction	Connection	Airflow	Indicator*
P566151	Glass-filled ABS	1" NPT	45 CFM Max.	Optional mechanical
P566156	Glass-filled ABS	Bayonet	45 CFM Max.	No
P564669	Glass-filled ABS	1" NPT	45 CFM Max.	Electronic
P565616	Glass-filled ABS	Bayonet	45 CFM Max.	Electronic
P565857	Epoxy Coated Steel	3/4" NPT	25 CFM Max.	Optional mechanical
P565858	Epoxy Coated Steel	Bayonet	25 CFM Max.	No
P566037	Epoxy Coated Steel	3/4" BSP	25 CFM Max.	No

\*In environments with combustible dusts or fuel vapors, use non-electrical indicator T.R.A.P. models only.

*Suggested service interval for models without indicator is 6 months.*



Donaldson Company, Inc.  
Industrial Hydraulics  
P.O. Box 1299  
Minneapolis, MN  
55440-1299 U.S.A.

Tel 800.846.1846 (USA)  
Fax 952.703.4652  
hydraulicfilters@mail.donaldson.com  
www.donaldson.com

Information in this document is subject to change without notice.

© 2007 Donaldson Co., Inc.  
Printed in U.S.A. on recycled paper

Brochure No. HYD-211