

Donaldson Company, Inc.
P.O. Box 1299
Minneapolis, MN 55440-1299 USA
Tel: (800) 846-1846
Fax: (952) 703-4913

email: grphydfilters@donaldson.com



TECHNICAL DATA SHEET

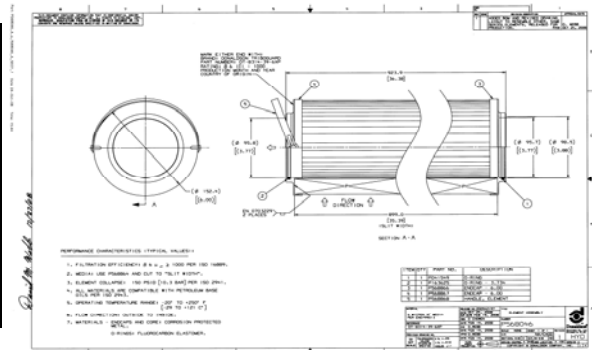
MAIN DATA

Part Number	DT-8314-39-6XP
Filter Type	Hydraulic cartridge
Flow Rate	1135 lpm
Flow Direction	out-to-in
Bypass Valve Setting	none
Cross References	HC8314FKN39Z or H



DIMENSIONS

Overall Length	923.9	mm
Outside Diameter	152.4	mm
Inside Diameter	95.7	mm
Weight	5.1	kg
O-ring outlet end	-240	
O-ring opposite end	-241	
Filter Media Area	5.54	m ²
Number of pleats	125	



FILTRATION DATA

Efficiency rating - β ratio	β 1000 = 6	μ	ISO 16889
Efficiency typical - β ratio	β 1000 = 5	μ	
Capacity	1040	grams ISO Medium	
@ flow rate	567	lpm	
@ final pressure drop	345	kPa	
Bubble Point - min	1.5	kPa	ISO 2942
Flow restriction	45.5	kPa	ISO 3968
@ flow rate	1135	lpm	
@ viscosity	32	cSt	

STRUCTURAL DATA

Operating Pressure	n.a.	bar	
Min. Burst Pressure	n.a.	bar	NFPA T.3.10.17
Min. Collapse Pressure	10.3	bar	ISO 2941
Pressure Fatigue	n.a.	cycles	NFPA T.3.10.17
@ Pressure range	n.a.	bar	

COMMENTS

Seal Material	Viton	
Handle	Plastic, top end	
Temperature Range	-29 to +121	°C
Potting Compound	Epoxy	
Filter Media	Synteq XP bi-component synthetic	