

The Screw Vent provides protection from particles, water, oils, and liquids while allowing pressure equalization in micro-environments. This durable, threaded vent is easily integrated into existing equipment and can be used in a variety of applications including sensors, protective cases, lighting enclosures, appliances and general enclosures where protective venting is required.

## APPLICATIONS

- Sensors
- Protective cases
- Lighting enclosures
- General enclosures
- Appliances

## TYPICAL CONSTRUCTION

The Screw Vent is comprised of automotive-grade plastic that is resistant to chemicals, solvents and high temperatures. It houses one of a number of different filter media choices that are puncture resistant and protected from moisture. Typical Screw Vents include:

- Secure vent cap that will not separate from the body during installation or application
- A selection of media grades designed to fit your requirements and budget
- Hydrophobic and oleophobic media options
- Hex nut available upon request



**Donaldson Screw Vent**  
*(Enlarged to show detail)*

## BENEFITS

**The Screw Vent improves the reliability and extends the life of the enclosure because it:**

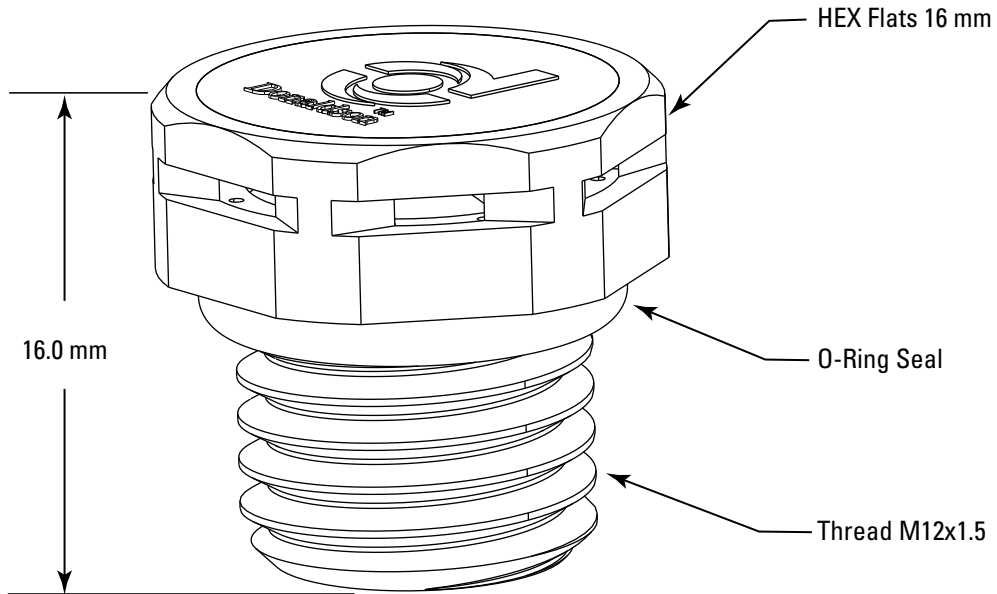
- Prevents the passage of harmful particles and liquids into the device.
- Allows for constant pressure equalization during altitude and temperature fluctuations.

Part Number	Plastic	Color*	O-Ring	Typical Airflow (mL/min) @ 70 mbar	IP Rating
P514772	Nylon	Gray	Silicone	700 cc/min	IP67
P514906, Hex Nut (optional)					

\* Standard color is gray. Other colors are available upon request.

# SCREW VENT

## DIMENSIONS & SPECIFICATIONS



Contact us to increase the reliability of your micro-electronics.



Donaldson.

Donaldson Company, Inc.  
Integrated Venting Solutions  
PO Box 1299  
Minneapolis, MN  
55440-1299 U.S.A.  
Tel +1 952-887-3874 (USA)

[donaldson.com](http://donaldson.com)  
[ivs@donaldson.com](mailto:ivs@donaldson.com)

Europe  
Leuven, Belgium  
+32-16-38-3985

Asia  
Hong Kong, China  
+852-2405-8319

Screw Vent (12/10)

© 2010 Printed in the U.S.A. All Rights Reserved. Information in the document is subject to change without notice.