

PG-IL Sanitary In-line Filter Housing

Stainless steel filter housing for sanitary gas and liquid applications

The Donaldson® PG-IL in-line filter housings are designed for sanitary filtration of liquids and gases in installations where traditional t-style housings are not practical. The slim, compact design of PG-IL housings allows them to be installed in tight spaces and, when used in gas service, either in a vertical or horizontal orientation. The housings are equipped with 1½" Tri-Clamp inlet and outlet connections and ½" Tri-Clamp vent/drain ports. Internal and external surfaces are electropolished to Ra 30.

PG-IL housings are available in four sizes with a capacity range of 215 to 1,290 scfm for gas applications, and 2-15 gpm for liquid. Standard housings utilize Code 7 (P7) filter elements with 226 o-rings, bayonet connection and centering fin adapter. A broad range of filter element types are available to meet your specific compatibility and micron rating requirements.



PG-IL In-line Filter Housing for sanitary filtration of gases and liquids

Specifications

Materials

Filter Housings: 316L SS standard; 304 SS optional
 Housing Gasket: EPDM (other gaskets on request)

Surface Finish

All Models: Electropolished to Ra 30

Maximum Operating Pressure

Gas: 150 psig
 Liquid: 250 psig

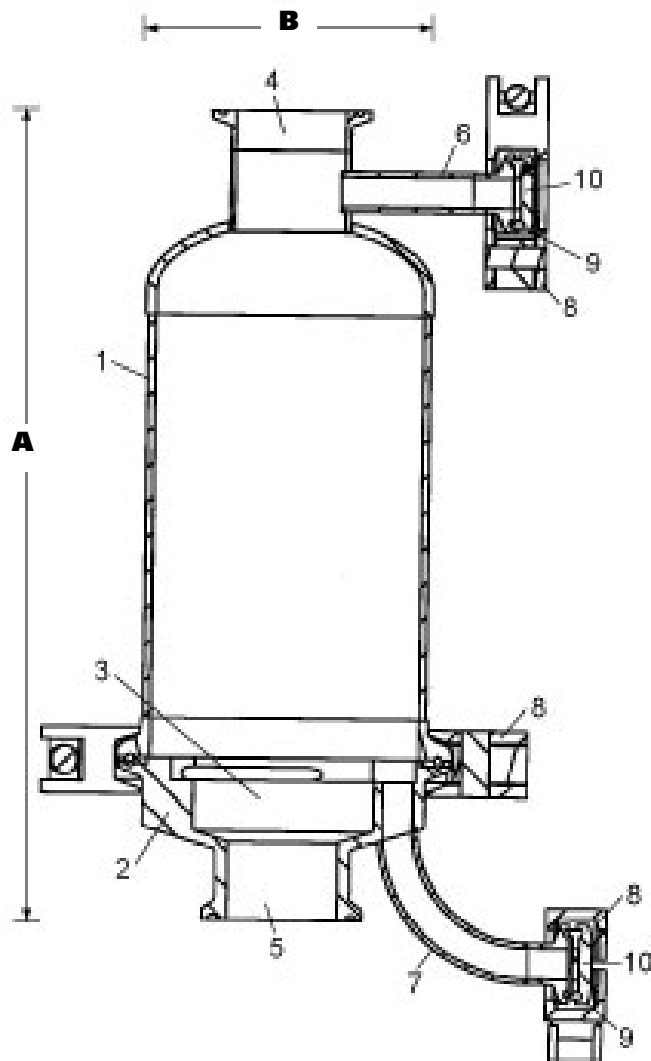
Connection Types

All Models: Tri-Clamp connection

Maximum Operating Temperature

300°F standard, for higher temperatures consult factory

Dimensions



Position	Description
1	Upper housing bowl
2	Lower housing bowl
3	Filter element socket (P7)
4	Inlet
5	Outlet
6	Vent
7	Vent/drain
8	V-clamp
9	Clamp gasket
10	Vent/drain cap

Size	A (inches)	B (inches)	Inlet/Outlet Tri-clamp (inches)	Vent/Drain Tri-clamp (0)	Code 7 Element Size*
0005	10	3.5	1.5	.5	5/3
0010	15	3.5	1.5	.5	10/3
0020	25	3.5	1.5	.5	20/3
0030	35	3.5	1.5	.5	30/3



Donaldson Company, Inc.
 Process Filtration
 P.O. Box 1299
 Minneapolis, MN
 55440-1299 U.S.A.

Tel 800.543.3634 (USA)
 Tel 800.343.3639 (within Mexico)
 processfilters@donaldson.com
 donaldson.com

Information in this document
 subject to change without notice.
 © 2007 Donaldson Co., Inc.
 Printed in U.S.A. on recycled paper
 Bulletin No. PRO-214 PG-IL 12-08