

**Instructions for wiring the Remote Control Options for
Donaldson LITHOGUARD Powered Filtration Systems
Part Nos. P198626, P198634, P510147**



1. All powered Donaldson Filtration Systems (the system) come with the following remote field installed wiring features:

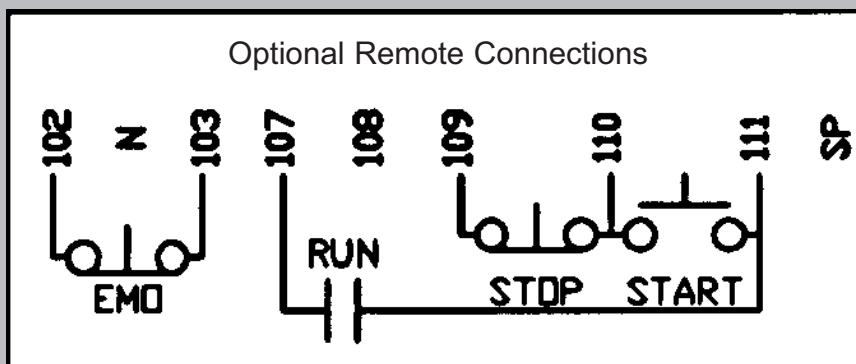
- START/STOP
- EMERGENCY OFF (EMO)
- BLOWER RUNNING
- RUN COMMAND

These features (except RUN COMMAND) can be used either individually, any two together, or all together to achieve the desired remote control requirements.

2. Every control panel includes a diagram (see Figure 1 below) illustrating the remote START/STOP, EMO and RUN COMMAND wiring connections.
3. By connecting the remote EMO to the EMO of an external unit, e.g. the tool EMO, the user can turn off the system either by activating the system EMO or the external EMO.
4. The remote START/STOP feature allows the system to be connected to an external start/stop button. This feature enables the system to be turned on or off by either set of controls. This feature will function for as long as power is supplied to the system blower.
5. To indicate blower operation the BLOWER RUNNING feature can be used. This feature uses a spare form C connection 1CR, available as dry contacts (refer to the system control panel drawing for 1CR location). An external power supply up to 230 VAC can be connected across the contact to power a remote light, horns, or interconnect the system to an external unit.



Figure 1: Remote Connection Wiring Diagram



Minneapolis, USA +1-952-887-3930	Singapore +65-6311-7347
Leuven, Belgium +32-16-38-39-83	Tokyo, Japan +81-42-540-4475
Seoul, Korea +82-2-517-3333	Taipei, Taiwan Juson, Instr. Co., Ltd. +886-2-2219-5511
Hong Kong +852-2405-8319	

www.lithoguard.com
semiconductor@mail.donaldson.com



Copyright 2006