



Donaldson<sup>®</sup>  
FILTRATION SOLUTIONS

## DATA SHEET

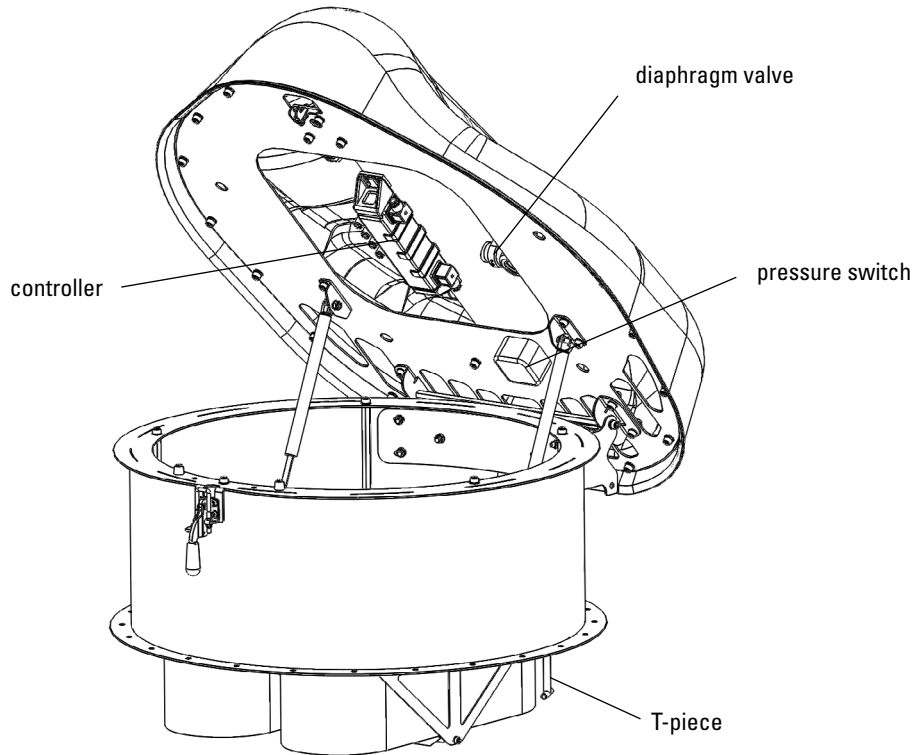
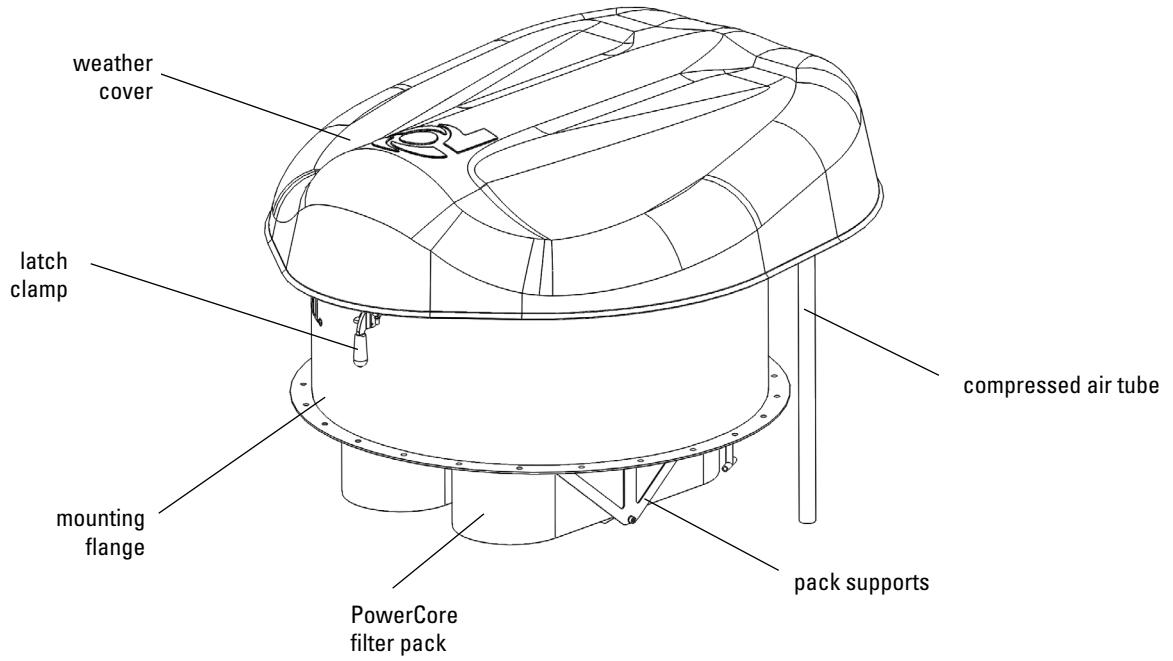
### PowerCore Dust Collector SVU



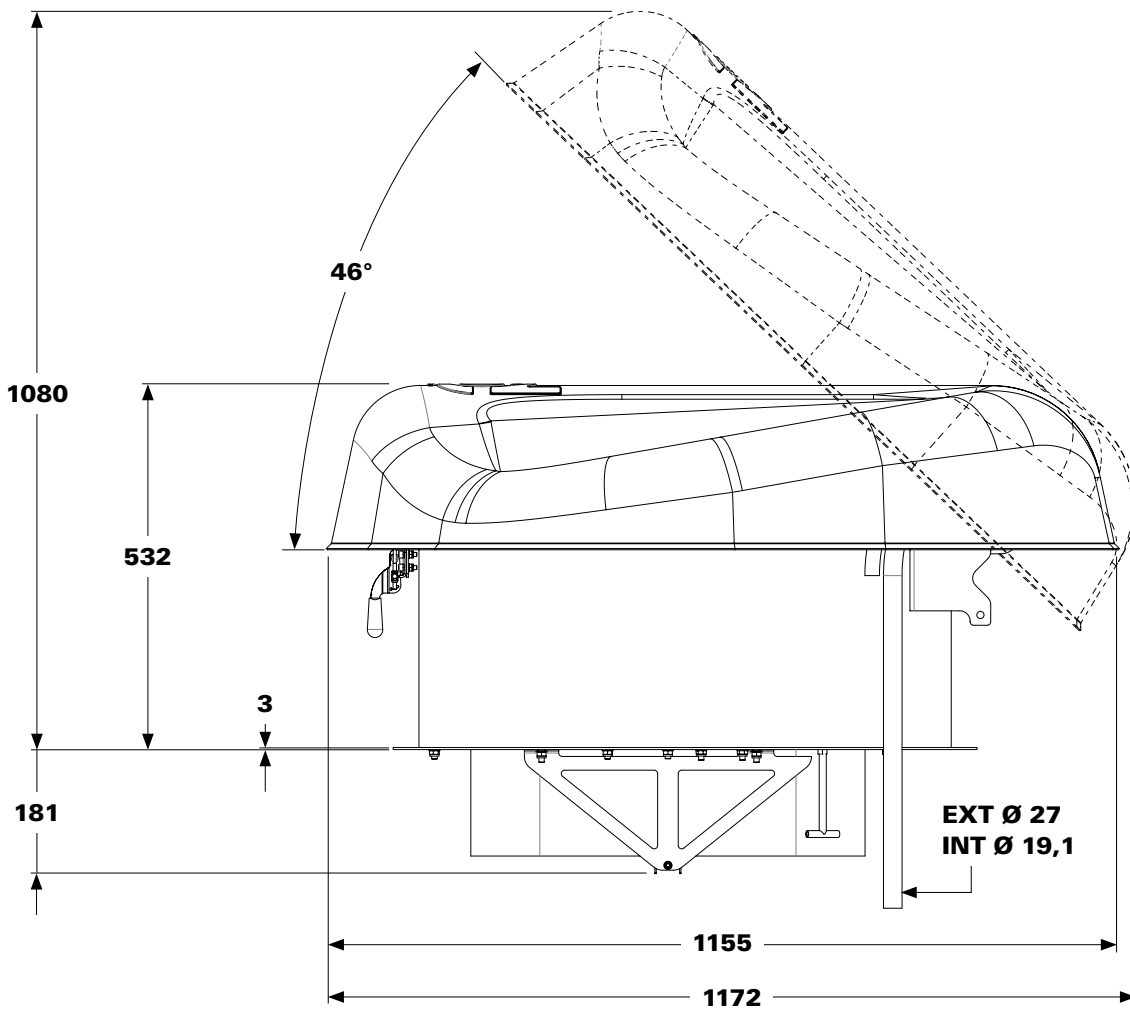
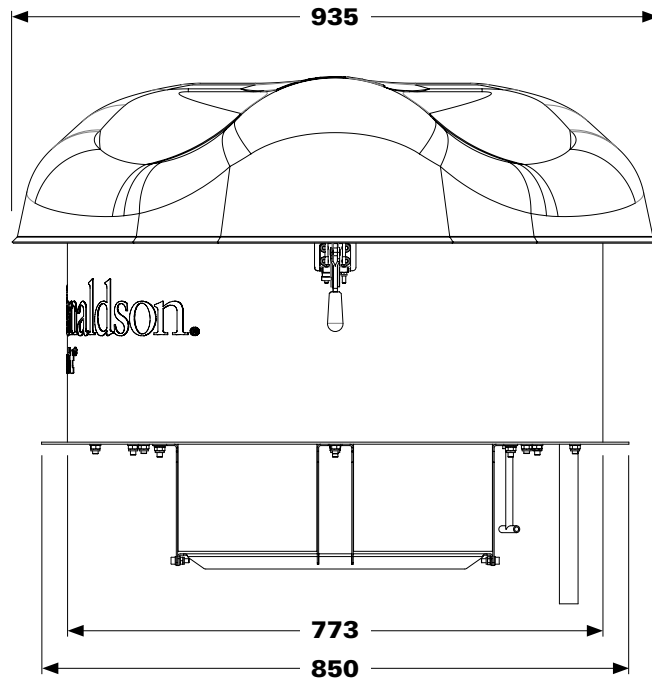
PowerCore<sup>®</sup>  
A Donaldson Filtration Technology



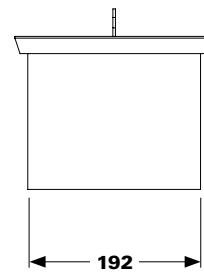
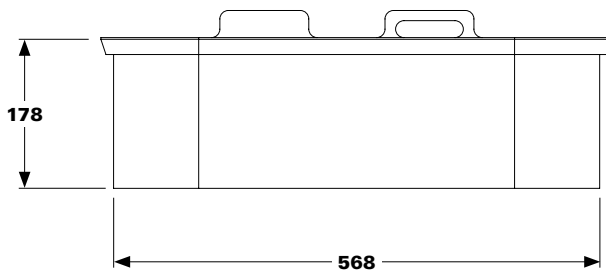
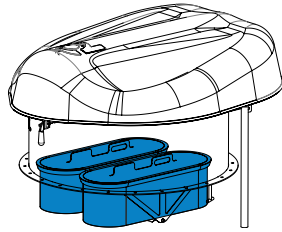
**OVERVIEW**



**DIMENSIONS**



**FILTER ELEMENT SPECS**



**Media Composition**

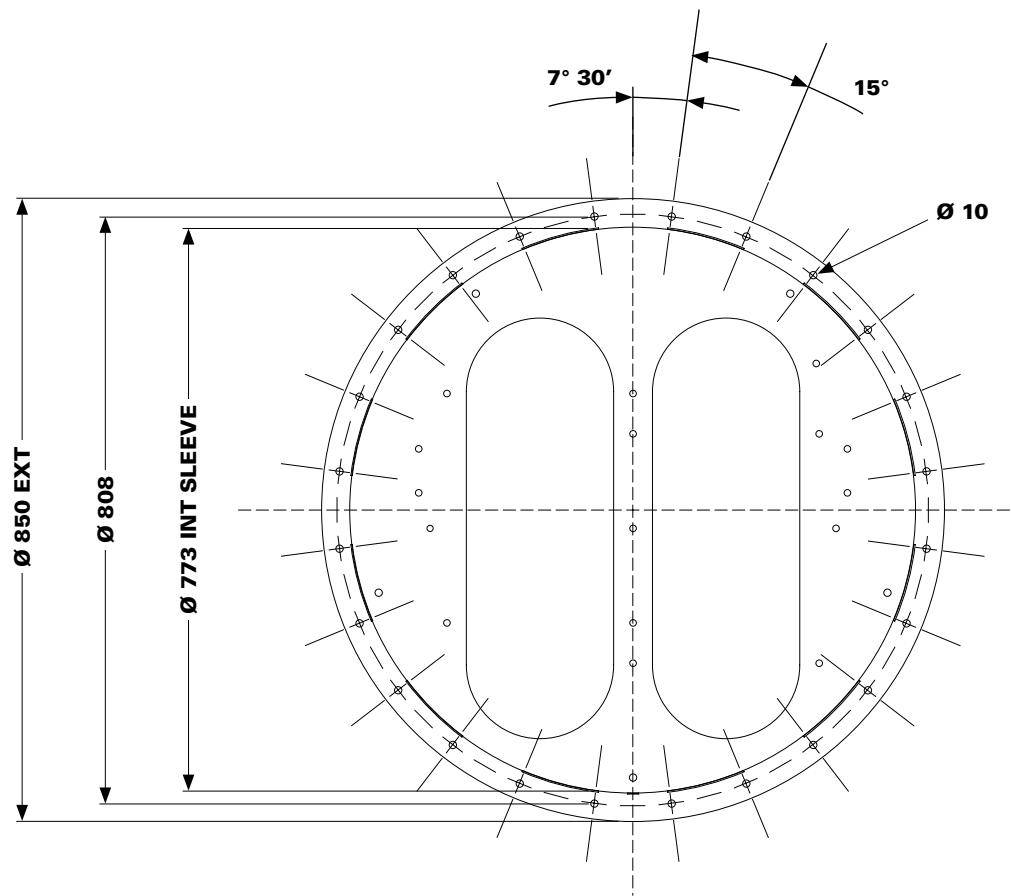
|                              |  |
|------------------------------|--|
| Nanofiber Surface Technology | Durable proprietary synthetic fiber<br>Mean fiber diameter of 0.2 - 0.3 mm   |
| Substrate                    | <ul style="list-style-type: none"> <li>■ Proprietary blend of cellulose fibres</li> <li>■ Spunbond Polyester</li> <li>■ Antistatic version per DIN 54345<br/>Resistance less than 10<sup>8</sup> Ohms</li> </ul> |

**Media Efficiency**

|                            |   |
|----------------------------|---|
| European Efficiency Rating | BIA class 'M' DIN 60335-2-69<br>Max. penetration <0.01 %, 0.2- 2.0 mm |
| US Efficiency Rating       | MERV 13 per ASHRAE 52.2-2007  |

**Filter Pack Construction**

|                       |  |
|-----------------------|--|
| Standard Construction | Obround design<br>Fluted media configuration<br>Urethane gasket<br>Built-in handle |
|-----------------------|--|

**FLANGE DETAILS**

## SPECIFICATIONS

| <b>Body</b>                |                                     |
|----------------------------|-------------------------------------|
| Height above silo          | open: 1080 mm<br>closed: 532 mm     |
| Height                     | 709mm total – see drawing           |
| Plan                       | 1150mm x 935mm – cover, see drawing |
| Design Pressure            | +/- 5000Pa                          |
| Weight                     | 65 kg                               |
| Colour                     | Cover, Blue                         |
| Outdoor, weather protected | Standard                            |
| Dust side contact parts    | Stainless steel                     |
| Construction               | Hybrid welded and bolted assembly   |

| <b>Filters</b>                               |             |
|--|-------------|
| PowerCore CP filter packs: 2 x obround packs |             |
| Ultra-Web Spunbond (UWSB)                    | 2626460     |
| Ultra-Web Antistatic (UWAS)                  | see options |



| <b>Cleaning System</b>     |                       |
|----------------------------|-----------------------|
| Type                       | Reverse pulse         |
| Compressed air pressure    | 4-6 barg (max. 6 bar) |
| Compressed air consumption | 22 NI per pulse       |
| Compressed air quality     | Class 3 (ISO 8573-1)  |
| Integrated controller      | STR2 – cycle timer    |
| Input voltage              | 90-240 VAC            |

| <b>Performance Specification</b> |                         |
|----------------------------------|-------------------------|
| Maximum Nominal Airflow          | 2000 m <sup>3</sup> /hr |
| Emission level                   | <5mg/m <sup>3</sup>     |
| Noise Level (estimate)           | <80 dB(A) (ISO 3744)    |
| Working temperature              | -10 to +60 deg C        |

| <b>Options (see Spare Parts List)</b>       |         |
|---|---------|
| PowerCore® pack Ultra-Web Antistatic (UWAS) | P032643 |
| Compressed air regulator                    | 2620149 |

## COMPRESSED AIR CONNECTION

| Manifold design details                           |  |
|---|--|
| Maximum operating pressure PS:                    | 8 bar  |
| Test pressure PT:                                 | 8,8 bar  |
| T:  | -20 to 70°C  |
| Rating of pressure relief device:                 | 25 dm <sup>3</sup> /s (factory set at 7,1 bar)<br>not supplied as standard |
| Product of pressure PS and Volumetric capacity V: | 64 bar l   |
| Material used for manifold construction:          | According to EN13445 with extra Charpy when required                       |

| Compressed air  |   |
|---|---|
| Clean air (max. particle size 50 µm)  |   |
| Free of condensate at working temperature   |   |
| Max. oil concentration:   | ISO8573-1 class 3 =< 1 mg/m <sup>3</sup>  |
| Working compressed air pressure:  | 2,8 bar (40 psig)   |
| Approx. compressed air consumption / pulse *:                                       | ±22 Nlitres per pulse   |
| * The indicated value is the consumption per valve                                  |   |
|  | <i>Install safety valve directly in contact with the manifold.</i>  |
|  | <i>Make sure to use at least 1 inch supply line to avoid large pressure drops in the cleaning system.</i> |

| Additional information                  |                               |
|---|-------------------------------|
| pulse duration (fixed)                  | 100 ms                        |
| pulse interval (fixed):                 | 4 sec.                        |
| flexible connection (typical length 1m) | 3/4" 19,1 ID 27 OD (mm)       |
| rigid pipe run (max. length 30m)        | 3G1,5 L+N+PE 230V 6-8 OD (mm) |

|                       |   |                        |  |
|-----------------------|---|------------------------|--|
| <b>Africa</b>         | Donaldson Europe B.V.B.A.<br>Industrial Filtration Solutions<br>Research Parc Bldg No. 1303<br>Interleuvenlaan, 1<br>B-3001 Leuven<br><b>Belgium</b><br>IAF-africa@donaldson.com +32 16 38 39 70  | <b>Netherlands</b>     | Donaldson Nederland B.V.<br>Transistorstraat 44 III<br>NL-1322 CG Almere<br><b>Nederland</b><br>IAF-nl@donaldson.com +31 36 548 08 40  |
| <b>Austria</b>        | Donaldson Filtration Österreich GmbH<br>Gutheil-Schoder Gasse 8-12<br>A-1100 Wien<br><b>Österreich</b><br>IAFat@donaldson.com +43 16 16 52 91   | <b>Norway</b>          | Donaldson Filtration Norway AS<br>Postboks 196<br>N-1501 Moss<br><b>Norge</b><br>IAF-no@donaldson.com +47 69 21 53 00  |
| <b>Belgium</b>        | Donaldson Europe B.V.B.A.<br>Industrial Filtration Solutions<br>Research Parc Bldg No. 1303<br>Interleuvenlaan, 1<br>B-3001 Leuven<br><b>België</b><br>IAF-be@donaldson.com +32 16 38 39 70       | <b>Poland</b>          | Donaldson Polska Sp.zo. o.<br>ul. Sienna 64<br>PL-00-825 Warszawa<br><b>Polska</b><br>IAF-pl@donaldson.com +48 22 517 15 00  |
| <b>Czech Republic</b> | Donaldson Filtration CR - koncern s.r.o.<br>Konevova 139<br>CZ-130 83 Praha 3<br><b>Ceská republika</b><br>IAF-cz@donaldson.com +420 2 67 108 242   | <b>Russia</b>          | Predstavitelstvo AOOO Donaldson Nederland B.V.<br>Centr Meždunarodnoj Torgovli<br>Ofis 1004V, Krasnopresnenskaja nab.12<br>123610 Moskva<br><b>Russia</b><br>IAF-ru@donaldson.com +7 499 136 00 13 |
| <b>Denmark</b>        | Donaldson Scandinavia ApS<br>Lyngsø Allé 3A<br>DK - 2970 Hørsholm<br><b>Danmark</b><br>IAF-dk@donaldson.com +45 45 57 00 77   | <b>Slovakia</b>        | Donaldson Filtration Slovensko s.r.o.<br>Púchovská 8<br>SK-83106 Bratislava 35<br><b>Slovensko</b><br>IAF-sk@donaldson.com +421 2 44872619   |
| <b>Finland</b>        | Donaldson Scandinavia ApS<br>Lyngsø Allé 3A<br>DK - 2970 Hørsholm<br><b>Danmark</b><br>IAF-fi@donaldson.com +45 45 57 00 77   | <b>Spain</b>           | Donaldson Ibérica, Soluciones en Filtración, S.L.<br>Colom, 391 - 3ªA<br>E-08223 Terrassa<br><b>España</b><br>IAF-es@donaldson.com +34 93 784 38 34  |
| <b>France</b>         | Donaldson France s.a.s.<br>33 Rue des Vanesses<br>Zac Paris Nord II B.P. 51292 Villepinte<br>F-95958 Roissy<br>Charles de Gaulle Cedex<br><b>France</b><br>IAF-fr@donaldson.com +33 1 49 38 99 30 | <b>Sweden</b>          | Donaldson Scandinavia<br>Industrigatan 68<br>S-261 35 Landskrona<br><b>Sverige</b><br>IAF-se@donaldson.com +46 418 457 550   |
| <b>Germany</b>        | Industrial Filtration Solutions<br>Industriestraße 11<br>D-48249 Dülmen<br><b>Deutschland</b><br>IAF-de@donaldson.com +49 2594 781-41   | <b>Switzerland</b>     | Donaldson Schweiz GmbH<br>Bruggacherstrasse 18<br>CH-8117 Fällanden<br><b>Schweiz</b><br>IAF-ch@donaldson.com +41 (0)44 302 07 15  |
| <b>Hungary</b>        | Donaldson Filtration Magyarország Kft.<br>Záhony u. 7.<br>H-1031 Budapest<br><b>Magyarország</b><br>IAF-hu@donaldson.com +36 1 453 28 65/66   | <b>Turkey</b>          | Donaldson Filtre Sist. Tic. Ltd. Sti.<br>Barbaros Mahallesi Palladium Tower No:2 Kat:10<br>34746 Ataşehir / Istanbul<br><b>Türkiye</b><br>IAF-tr@donaldson.com +90 216 687 03 26                   |
| <b>Ireland</b>        | Donaldson Filtration (GB) Ltd.<br>Suite 31, The Hyde Building The Park<br>Carrickmines, Dublin 18<br><b>Ireland</b><br>IAF-ie@donaldson.com +353 1 525 22 49                                      | <b>United Kingdom</b>  | Donaldson Filtration (GB) Ltd.<br>Humberstone Lane Thurmaston<br>Leicester LE4 8HP<br><b>United Kingdom</b><br>IAF-uk@donaldson.com +44 116 269 6161   |
| <b>Italy</b>          | Donaldson Italia S.r.l.<br>Via Cesare Pavese, 5/7<br>20090 Opera (Milan)<br><b>Italia</b><br>IAF-it@donaldson.com +39 0 25 30 05 21   | <b>Other countries</b> | Donaldson Filtration (GB) Ltd.<br>Humberstone Lane Thurmaston<br>Leicester LE4 8HP<br><b>United Kingdom</b><br>IAF-export@donaldson.com +44 116 269 6161   |
| <b>Middle East</b>    | Donaldson Europe B.V.B.A.<br>Office 1905<br>Jebel Ali Free Zone<br>Dubai<br><b>United Arab Emirates</b><br>IAF-middle-east@donaldson.com +971 4 885 5311  |                        |  |

