



### Accessories

Donaldson offers an extensive line of accessories for hydraulic circuits, lines and reservoirs that will help you maintain proper ISO cleanliness levels.



### T.R.A.P.™ Breather Technology

(Thermally Reactive Advanced Protection)

T.R.A.P. breathers provide fast-acting protection against airborne moisture and particulate contamination. It stops solid particulate down to 3 µm at 97% efficiency as well as prevents moisture from entering the reservoir. Water-holding capacity is regenerated with every oil return phase for long service life. Its self-regenerating capability enables extended life.

### Section Index

#### Filter Service Indicators

Visual Service Indicator Kits.....	164
Visual / Electrical Service Indicator Kits .....	164
Electrical Service Indicators .....	165
Visual / Electrical Indicators.....	166
Visual Pressure Gauges.....	166

#### In-Line Accessories

Pressure Gauges.....	169
Test Points.....	172
Valves.....	176
Flanges.....	182

#### Reservoir Accessories

Strainers.....	189
Diffusers .....	192
Breathers.....	193
T.R.A.P.™ Breathers.....	194
Reservoir Air Dryer .....	207
Sight Glasses .....	211
Level Gauges .....	213

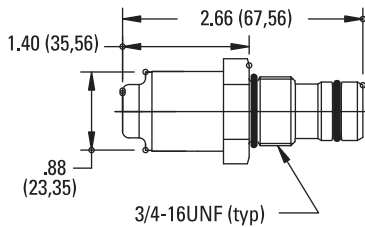
## Visual Service Indicator Kits

### Visual Service Indicator Kit Choices

Part No.	Use with Bypass Valve Pressure of:	Description	Where Used
P569632	50 psi / 3.5 bar	35 psi/2.4 bar indicator kit* auto reset pop-out button	HPK02, HPK03, HPK04, HPK05
P569633	90 psi / 6.2 bar	70 psi/4.8 bar indicator kit* auto reset pop-out button	HPK02, HPK03, HPK04, HPK05
P567988	50 psi / 3.5 bar	35 psi/2.4 bar indicator kit* auto reset pop-out button with thermal lockout and surge control	HPK02, HPK03, HPK04, HPK05
P567989	90 psi / 6.2 bar	70 psi/4.8 bar indicator kit* auto reset pop-out button with thermal lockout and surge control	HPK02, HPK03, HPK04, HPK05

\* Note: Above kits include indicator and P573495 mounting block.

#### Visual (Mechanical) Indicators (with auto reset pop-out button)

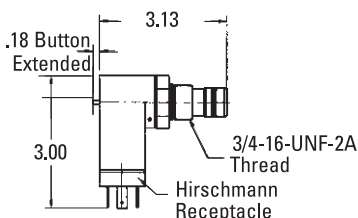


### Visual/Electrical Service Indicator Kit Choices

Part No.	Use with Bypass Valve Pressure of:	Description	Where Used
P569634	50 psi / 3.5 bar	35 psi/2.4 bar indicator kit* Hirschmann receptacle 115 VAC/28 VDC, 2 amps	HPK02, HPK03, HPK04, HPK05
P569635	90 psi / 6.2 bar	70 psi/4.8 bar indicator kit* Hirschmann receptacle 115 VAC/28 VDC, 2 amps	HPK02, HPK03, HPK04, HPK05
P567986	50 psi / 3.5 bar	35 psi/2.4 bar indicator kit* with thermal lockout and surge control, Hirschmann receptacle, 115 VAC/28 VDC, 2 amps, 4 pin DIN 43650	HPK02, HPK03, HPK04, HPK05
P567987	90 psi / 6.2 bar	70 psi/4.8 bar indicator kit* with thermal lockout and surge control, Hirschmann receptacle, 115 VAC/28 VDC, 2 amps, 4 pin DIN 43650	HPK02, HPK03, HPK04, HPK05

\* Note: Above kits include indicator and P573495 mounting block.

#### AC/DC Electrical Indicators (with aluminum electrical housing)



# Electrical Service Indicators

## Electrical Service Indicator Choices

All electric models have a maximum operating temperature of 250°F/ 114°C.

Part No.	Use with Bypass Valve Pressure of:	Description	Where Used	Illustration
P162400	25 psi/ 172 kPa	DC/single post. Normally open.	HBK04, HBK05, HMK04/24, HMK05/25	Style A
P163601	15 psi/ 103 kPa	DC/single post. Normally open.	HBK04, HBK05, HMK04/24, HMK05/25	Style A
P163642	5 psi/ 34 kPa	DC/single post. Normally open.	HBK04, HBK05, HMK04/24, HMK05/25	Style A
P163839	25 psi/ 172 kPa	DC/single post. Normally closed.	HBK04, HBK05, HMK04/24, HMK05/25	Style A
P165194	50 psi/ 345 kPa	DC/single post. Normally open.	HMK03, HMK04/24, HMK05/25, FPK04	Style A
P574967	50 psi/ 276 kPa	DC 2-wire. Normally closed. Gold contacts. Microprocessor compatible.	HBK05, HMK03, HMK04/24, HMK05/25, FLK90/110/125, FPK04	Style E
P574968	50 psi/ 345 kPa	DC 2-wire. Packard Weatherpack connector. Normally open.	HMK03, HMK04/24, HMK05/25, FLK90/110/125, FPK04	Style B
P171143	25 psi/ 172 kPa	DC 2-wire. Cannon connector. Normally open.	HBK04, HBK05, HMK03, HMK04/24, HMK05/25	Style B
P171966	22 psi/ 150 kPa	AC/DC. 0.5A resistive, 0.2A inductive. Normally open.	FIK	at right
P575549	50 psi/ 345 kPa	DC 3-wire. Gold alloy contacts. Micro-processor compatible. White: normally open; Red: normally closed; Black: common.	HMK04/24, HMK05/25	Style F
P173944	25 psi/ 172 kPa	AC/DC 3-wire. Silver alloy contacts. White: normally open; Red: normally closed; Black: common.	HBK04, HBK05, HMK03, HMK04/24, HMK05/25	Style C
P174396	50 psi/ 345 kPa	AC/DC 3-wire. Silver alloy contacts. White: normally open; Red: normally closed; Black: common.	HMK03, HMK04/24, HMK05/25	Style C
P761056	87 psi/ 592 kPa	AC/DC Normally open or closed. 30 VAC or 30 VDC max. 0.5A resistive, 0.2A inductive.	FPK02	see FPK02 section
P563978	15 psi/103.4 kPa or 25 psi / 172.5 kPa	Return indicator, field adj.* or No Bypass	SP15/25, SP50/60, SP80/90, SP100/120, TT15/30/60	at right

\* NOT PRESET: Setting adjustable for desired application

### Style A

P162400  
P163601  
P163642  
P163839  
P165194



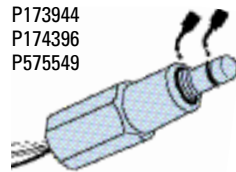
### Style B

P574968  
P171143



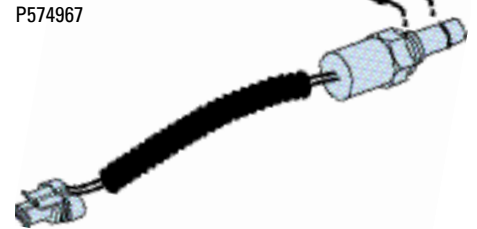
### Styles C & F

P173944  
P174396  
P575549

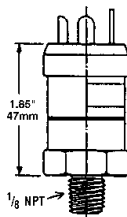
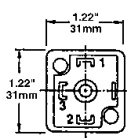


### Style E

P574967



### P563978



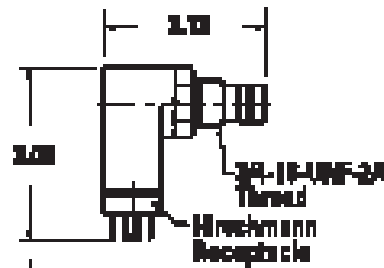
#1 Common; #2 Normally Closed; #3 Normally Open

#### Instructions

1. Remove DIN adaptor
2. Remove small brass screw
3. Using 1/8" allen wrench adjust clockwise to increase set point/counter-clockwise to decrease set point
4. NO / NC

Adjustment screw located in center of electric prongs

Electric ΔP indicator



Electric ΔP indicator with pop-up visual button and manual reset

P171966

P563978



## Visual Service Indicators

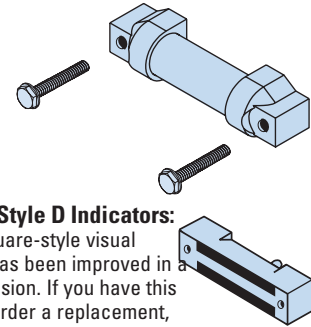
### Visual Service Indicator Choices

All non-electric models have a maximum operating temperature of 180°F/ 82°C.

Part No.	Use with Bypass Valve Pressure of:	Where Used	Illustration
P162642	15 psi/103 kPa	HBK04, HBK05, HMK04/24, HMK05/25	Style D
P162694	5 psi/34 kPa	HBK04, HBK05	Style D (old style)
P162696	25 psi/172 kPa	HBK04, HBK05, HMK04/24, HMK05/25	Style D
P164315	50 psi/345 kPa	HPK02, HPK03, HPK04, HPK05	see HPK02 section
P165965	25 psi/345 kPa	HMK03, HMK04/24, HMK05/25	Style D
P574177	50 psi / 345 kPa	HMK03, HMK04/24	Style D
P166603	50 psi/345 kPa (reverse flow)	HPK04	see HPK04 section
P167580	50 psi/345 kPa	HMK04/24, HMK05/25	Style D
P171958	17 psi/116 kPa	FIK	at left
P171945	72 psi/493 kPa	FPK02	see FPK02 section
P575334	25 psi/172 kPa	HBK05, HMK03, HMK05/25, HNK04/05, HMK04/24, FLK90, FLK110, FLK125	Style H
P575335	50 psi/345 kPa	HBK05, HMK03, HMK05/25, HNK04/05, HMK04/24, FLK90, FLK110, FLK125	Style H

#### Style D

P162642  
P162694  
P162696  
P165965  
P574177  
P167580



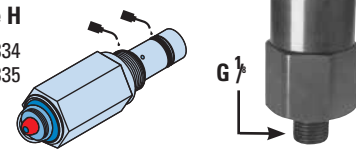
#### NOTE on Style D Indicators:

Our old square-style visual indicator has been improved in a design revision. If you have this style and order a replacement, you will receive the new rounded Style D shown above.

**Exception:** P162694 is still made per the old style. Bar style visual indicators not for use with phosphate ester applications.

#### Style H

P575334  
P575335



## Indicators

### Indicator Choices

Indicator Pressure Setting	Connector Style	Part No.	Where Used
<b>Pressure Gauge, 0 - 60 psi Models</b>			
25 psi / 172 kPa	NA	X011059	WL15, WL16
50 psi / 345 kPa	NA	X011075	WL15, WL16
<b>Pressure Gauge, 0 - 200 psi Models</b>			
50 psi / 345 kPa	NA	X011060	WL15, WL16

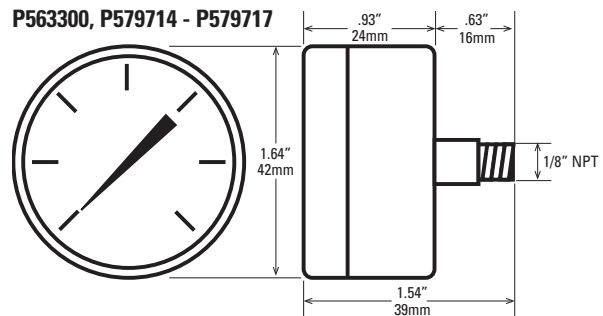
### Indicator Choices

Indicator Pressure Setting	Connector Style	Part No.	Where Used
<b>Electrical Models</b>			
18 psi / 124 kPa	Hirschman	X011061	WL15, WL16
35 psi / 241 kPa	Hirschman	X011064	WL15, WL16
18 psi / 124 kPa	Brad Harrison	X011065	WL15, WL16
35 psi / 241 kPa	Brad Harrison	X011066	WL15, WL16

## Visual Pressure Gauges

### Visual Pressure Gauge Choices

Part No.	Pressure Range	Function
P579714	0 to 100 PSI Numeric Scale	Return
P579715	0 to 100 PSI Color Coded (15 PSI)	Return
P579716	0 to 100 PSI Color Coded (25 PSI)	Return
P579717	0 to -20 Hg	Suction
P563300	0 to 30 PSI Color Coded (15 PSI)	Return



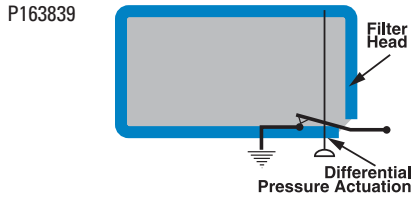
# Replacement Indicators (Visual, Electrical and Visual / Electrical )

## Replacement Indicator Choices

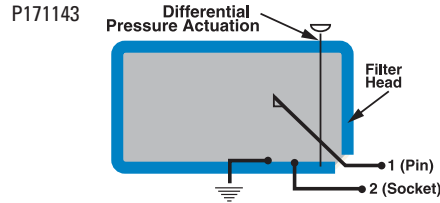
Part No.	Use with Bypass Valve Pressure of	Connector Style	Seal Material	Thermal Lockout	Surge Control	Where Used
<b>Electrical Indicators</b>						
P572355	15 psid/1.04 bar	Hirschman	Nitrile	No	No	W023, W061
P572359	35 psid/2.41 bar	Hirschman	Nitrile	No	No	W023, W061, W041, W440, W350, W451, W620
P572361	35 psid/2.4 bar	Brad Harrison	Nitrile	No	No	W023, W061, W041, W440, W350, W451, W620
P572369	70 psid/4.8 bar	Hirschman	Nitrile	No	No	W041, W440, W350, W451, W620
<b>Visual / Electrical Indicators</b>						
P572323	15 psid/1.04 bar	Hirschman	Nitrile	No	No	W023, W061
P572342	15 psid/1.04 bar	3-wire flying leads	Nitrile	No	No	W023, W061
P572327	35 psid/2.41 bar	Hirschman	Nitrile	No	No	W023, W061, W041, W440, W350, W451, W620
P569638	35 psid/2.4 bar	Hirschman	Fluorocarbon	Yes	No	HPK02, HPK03, HPK04, HPK05
P572329	35 psid/2.4 bar	Brad Harrison	Nitrile	No	No	W023, W061, W041, W440, W350, W451, W620
P572349	35 psid/2.4 bar	3-wire flying leads	Nitrile	No	No	W023, W061, W041, W440, W350, W451, W620
P572384	35 psid/2.4 bar	Hirschman	Nitrile	Yes	Yes	W023, W061, W041, W440, W350, W451, W620
P572385	35 psid/2.4 bar	Brad Harrison	Nitrile	Yes	Yes	W041, W440, W350, W451, W620
P567458	35 psid/2.4 bar	Hirschman	Fluorocarbon	Yes	Yes	W023, W061, W041, W440, W350, W451, W620, HPK02, HPK03, HPK04, HPK05
P569639	70 psid/4.8 bar	Hirschman	Fluorocarbon	Yes	No	W440, W350, W451, W620, HPK02, HPK03, HPK04, HPK05
P567459	70 psid/4.8 bar	Hirschman	Fluorocarbon	Yes	Yes	W440, W350, W451, W620, HPK02, HPK03, HPK04, HPK05
P572320	70 psid/4.8 bar	Hirschman	Nitrile	Yes	Yes	W440, W350, W451, W620
P572373	70 psid/4.8 bar	Hirschman	Nitrile	Yes	No	W440, W350, W451, W620
P572387	100 psid/6.89 bar	Hirschman	Nitrile	Yes	Yes	W440, W350, W451
<b>Visual Indicators</b>						
P572345	15 psid/1.04 bar	N/A	Nitrile	No	No	W023, W061
P572347	35 psid/2.41 bar	N/A	Nitrile	No	No	W023, W061, W041, W440, W350, W451, W620
P572348	35 psid/2.41 bar	N/A	Nitrile	Yes	Yes	W023, W061, W041, W440, W350, W451, W620
P567456	35 psid/2.4 bar	N/A	Nitrile	Yes	Yes	W023, W061, W041, W440, W350, W451, W620, HPK02, HPK03, HPK04, HPK05
P572319	70 psid/4.8 bar	N/A	Nitrile	Yes	Yes	W440, W350, W451, W620
P567457	70 psid/4.8 bar	N/A	Fluorocarbon	Yes	Yes	W440, W350, W451, W620, HPK02, HPK03, HPK04, HPK05
P572353	100 psid/6.9 bar	N/A	Nitrile	Yes	No	W440, W350, W451
P572354	100 psid/6.89 bar	N/A	Fluorocarbon	Yes	Yes	W440, W350, W451
P569636	35 psid/2.4 bar	N/A	Fluorocarbon	No	No	HPK02, HPK03, HPK04, HPK05
P569637	70 psid/4.8 bar	N/A	Fluorocarbon	No	No	HPK02, HPK03, HPK04, HPK05

## Electrical Schematics

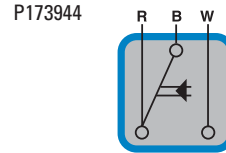
**Style A: Single Post DC Indicator**  
(Maximum: 200 mA DC @ 30 VDC)



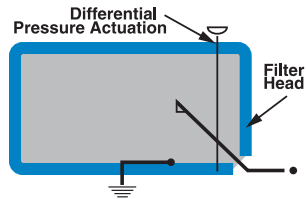
**Style B: DC 2-Wire Indicator**  
(Maximum: 200 mA DC @ 30 VDC)



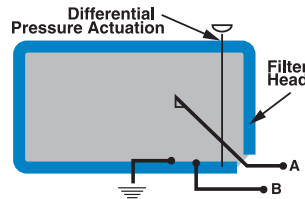
**Style C, F: AC/DC 3-Wire Indicator**  
(Maximums: 2 amps @ 24 VDC or  
2 amps @ 110 VAC)



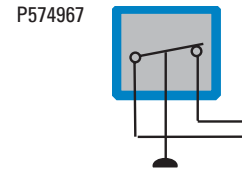
P162400  
P163601  
P163642  
P165194



P574968



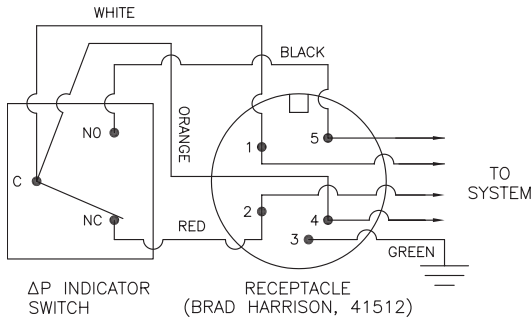
**Style E: DC 2-Wire Indicator**  
(Maximum: 100 mA DC @ 30 VDC)



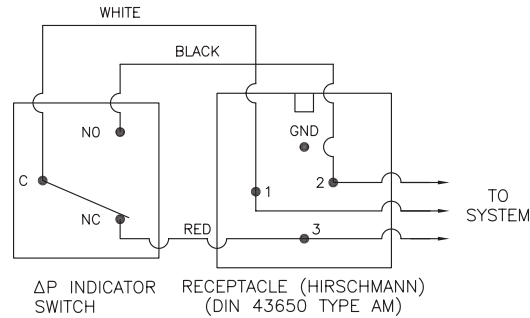
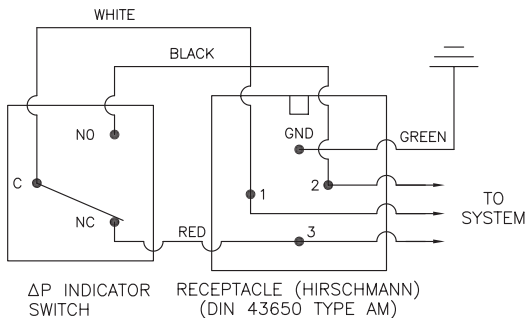
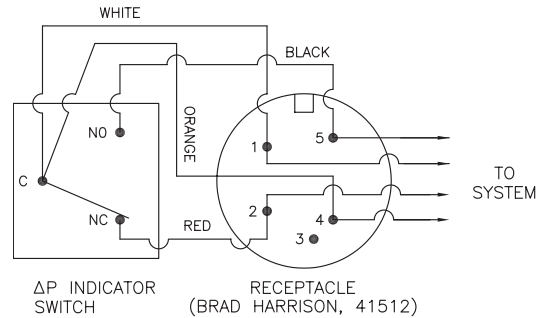
## Indicator Switch Schematic Wiring Diagram

All dimensions are shown in millimeters [inches].

### Aluminum Electrical Housings



### Plastic Electrical Housings



Note: The female plug (connector) is to be furnished by customer.

Note: The female plug (connector) is to be furnished by customer.

### Differential Indicators:

Indicators are designed to actuate at approximately 80% of bypass valve cracking pressure. It is recommended that an indicator with a bypass setting of 100 psid is used with a non-bypass housing.

### Surge Control:

This optional feature is used to dampen pressure surges or spikes to avoid premature actuation of the indicator. Surge control delays the indicator response.

### Thermal Lockout:

The Thermal Lockout prevents premature signaling of a bypass condition created by viscous fluid during cold start-ups. Normal indicator actuation capability is resumed once the operating temperature of the fluid reaches approximately 80° F.



### In-Line Accessories

- Pressure gauges for monitoring system pressure
- Hoses and test points for sampling oil and determining ISO cleanliness levels
- Flanges to connect components
- Valves for system control



## In-Line Pressure Gauges

### Specifications

- Stainless steel (304SS)
- Phosphor bronze bourdon tube
- Acrylic lenses
- Built-in snubber
- Glycerin Filled



### Features

Donaldson Pressure Gauge Liquid-filled (PGL) series gauges are mechanical bourdon tube pressure gauges. Each gauge has a glycerin filled stainless steel bezel and case that is robust and will not discolor or rust. The bourdon tube and movement is constructed from brass and bronze alloys. PGL series gauges are easy to install for continuous readings with face diameters of 2½" (63mm) and 4" (100mm).

Operating Temperatures		Dial Sizes			
• 30°F to 160°F (-1°C to 71°C)		• 2½" (63mm) and 4" (100mm)			
Accuracy		Mounting			
• +/- 3% of full scale		• Stem, Panel, Front Flange			
Scale		Thread Type			
• psi	• bar	• 2½" size	• 4"	• ¼" NPT, ¼" SAE, ¼" BSP	• ½" NPT



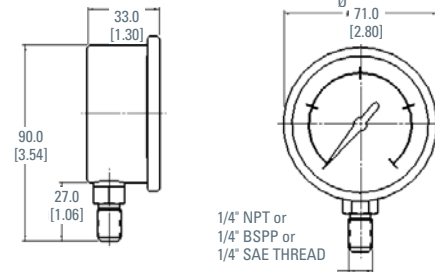
# In-Line Pressure Gauges

## Pressure Range Options

PGL-A	30 Hg-20 psi	0-30 in. Hg	0-30 psi	0-60 psi	0-100 psi	0-160 psi	0-300 psi	0-500 psi	0-600 psi	0-1000 psi	0-1500 psi	0-2000 psi	0-3000 psi	0-4000 psi	0-5000/345 psi	0-6000 psi	0-10000 psi
2 1/2" Stem	•	•	•	•	•	•	•	•	•	•	•	•	•	•	•	•	•
2 1/2" SAE Stem							•	•	•	•	•	•	•	•	•		
2 1/2" Panel	•			•	•	•	•	•	•	•	•	•	•	•	•	•	•
4" Stem							•	•	•	•	•	•	•	•	•	•	•
4" Panel							•	•	•	•	•	•	•	•	•	•	•

## 2 1/2" Diameter Gauges

### Stem Mount

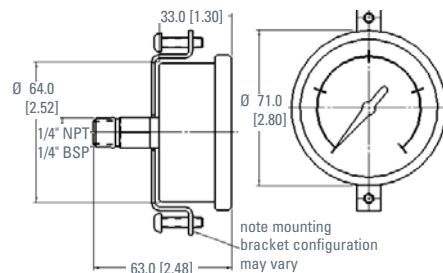


1/4" NPT or  
1/4" BSPP or  
1/4" SAE THREAD

## Front Flange Options

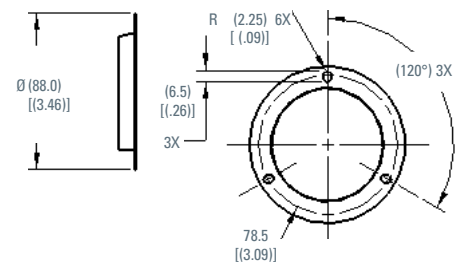
Part No.	Description	Dial Size
P562699	PGL-A-63-FF	2-1/2" (63mm)
P562671	PGL-A-100-FF	4" (100mm)

### Panel Mount



note mounting  
bracket configuration  
may vary

### With Front Flange



## 2 1/2" Stem Mount

Part No.	Description	Pressure Range (psi/bar)	Thread Type
P562718	PGL-A-63-N-B-30-CS	-30" Hg + 20/1	1/4" NPT
P562719	PGL-A-63-N-B-30-S	0 - 30/2	1/4" NPT
P562721	PGL-A-63-N-B-30-VS	0 - 30" Hg Vac	1/4" NPT
P562733	PGL-A-63-N-B-60-S	0 - 60/4	1/4" NPT
P562705	PGL-A-63-N-B-100-S	0 - 100/7	1/4" NPT
P562709	PGL-A-63-N-B-160-S	0 - 160/11	1/4" NPT
P562717	PGL-A-63-N-B-300-S	0 - 300/20	1/4" NPT
P562727	PGL-A-63-N-B-500-S	0 - 500/35	1/4" NPT
P562731	PGL-A-63-N-B-600-S	0 - 600/40	1/4" NPT
P562703	PGL-A-63-N-B-1000-S	0 - 1,000/70	1/4" NPT
P562707	PGL-A-63-N-B-1500-S	0 - 1,500/100	1/4" NPT
P562711	PGL-A-63-N-B-2000-S	0 - 2,000/125	1/4" NPT
P562713	PGL-A-63-N-B-3000-S	0 - 3,000/200	1/4" NPT
P562723	PGL-A-63-N-B-4000-S	0 - 4,000/275	1/4" NPT
P562725	PGL-A-63-N-B-5000/345-S	0 - 5,000/350	1/4" NPT
P562729	PGL-A-63-N-B-6000-S	0 - 6,000/400	1/4" NPT
P562701	PGL-A-63-N-B-10,000-S	0 - 10,000/700	1/4" NPT
P562696	PGL-A-63-B-B-1500-S	0 - 1,500/100	1/4" BSP
P562739	PGL-A-63-S-B-500-S	0 - 500/35	1/4" SAE
P562734	PGL-A-63-S-B-1000-S	0 - 1,000/70	1/4" SAE
P562735	PGL-A-63-S-B-1500-S	0 - 1,500/100	1/4" SAE
P562736	PGL-A-63-S-B-2000-S	0 - 2,000/125	1/4" SAE
P562737	PGL-A-63-S-B-3000-S	0 - 3,000/200	1/4" SAE
P562738	PGL-A-63-S-B-5000/345-S	0 - 5,000/350	1/4" SAE
P562740	PGL-A-63-S-B-6000-S	0 - 6,000/400	1/4" SAE

## 2 1/2" Panel Mount

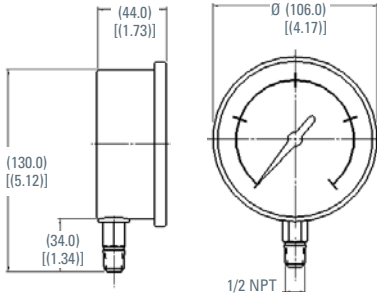
Part No.	Description	Pressure Range (psi/bar)	Thread Type
P562720	PGL-A-63-N-B-30-VP	0 - 30" Hg Vac	1/4" NPT
P562732	PGL-A-63-N-B-60-P	0 - 60/4	1/4" NPT
P562704	PGL-A-63-N-B-100-P	0 - 100/7	1/4" NPT
P562708	PGL-A-63-N-B-160-P	0 - 160/11	1/4" NPT
P562716	PGL-A-63-N-B-300-P	0 - 300/20	1/4" NPT
P562726	PGL-A-63-N-B-500-P	0 - 500/35	1/4" NPT
P562730	PGL-A-63-N-B-600-P	0 - 600/40	1/4" NPT
P562702	PGL-A-63-N-B-1000-P	0 - 1,000/70	1/4" NPT
P562706	PGL-A-63-N-B-1500-P	0 - 1,500/100	1/4" NPT
P562710	PGL-A-63-N-B-2000-P	0 - 2,000/125	1/4" NPT
P562712	PGL-A-63-N-B-3000-P	0 - 3,000/200	1/4" NPT
P562722	PGL-A-63-N-B-4000-P	0 - 4,000/275	1/4" NPT
P562724	PGL-A-63-N-B-5000/345-P	0 - 5,000/350	1/4" NPT
P562728	PGL-A-63-N-B-6000-P	0 - 6,000/400	1/4" NPT
P562700	PGL-A-63-N-B-10,000-P	0 - 10,000/700	1/4" NPT
P562697	PGL-A-63-B-B-3000-P	0 - 3,000/200	1/4" BSP
P562698	PGL-A-63-B-B-4000-P	0 - 4,000/275	1/4" BSP



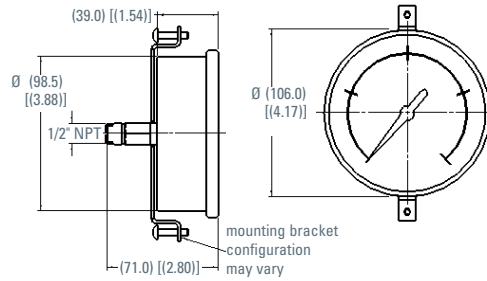


## 4" Diameter Gauges

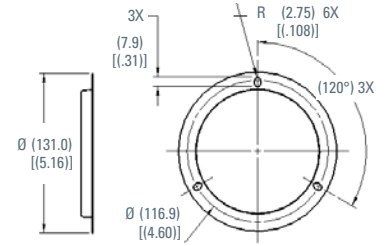
### Stem Mount



### Panel Mount



### With Front Flange



### 4" Stem Mount

Part No.	Description	Pressure Range (psi/bar)	Thread Type
P562683	PGL-A-100-N-B-300-S	0 - 300/20	1/2" NPT
P562688	PGL-A-100-N-B-600-S	0 - 600/40	1/2" NPT
P562675	PGL-A-100-N-B-1000-S	0 - 1,000/70	1/2" NPT
P562677	PGL-A-100-N-B-1500-S	0 - 1,500/100	1/2" NPT
P562679	PGL-A-100-N-B-2000-S	0 - 2,000/125	1/2" NPT
P562681	PGL-A-100-N-B-3000-S	0 - 3,000/200	1/2" NPT
P562685	PGL-A-100-N-B-5000	0 - 5,000/350	1/2" NPT
P562686	PGL-A-100-N-B-6000-S	0 - 6,000/400	1/2" NPT
P562673	PGL-A-100-N-B-10,000-S	0 - 10,000/700	1/2" NPT

### 4" Panel Mount

Part No.	Description	Pressure Range (psi/bar)	Thread Type
P562682	PGL-A-100-N-B-300-P	0 - 300/20	1/2" NPT
P562687	PGL-A-100-N-B-600-P	0 - 600/40	1/2" NPT
P562674	PGL-A-100-N-B-1000-P	0 - 1,000/70	1/2" NPT
P562676	PGL-A-100-N-B-1500-P	0 - 1,500/100	1/2" NPT
P562678	PGL-A-100-N-B-2000-P	0 - 2,000/125	1/2" NPT
P562680	PGL-A-100-N-B-3000-P	0 - 3,000/200	1/2" NPT
P562684	PGL-A-100-N-B-5000	0 - 5,000/350	1/2" NPT
P562672	PGL-A-100-N-B-10,000-P	0 - 10,000/700	1/2" NPT



# Test Points

## Specifications

- Working Pressure: 9000 psi / 630 bar
- Seals: Nitrile
- Caps: Plastic or metal
- Leak-free connection at full pressure



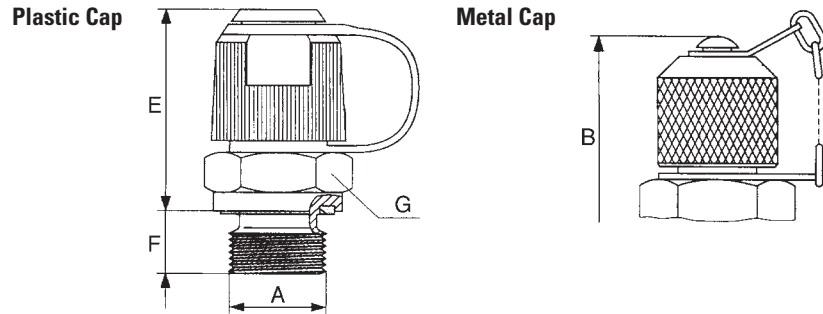
## Features

Test points can be used as a connection into the hydraulic system on the suction side, pressure side or return. They allow connection for pressure transducers and provide ports for fluid sampling (so you can monitor cleanliness and keep your system operating optimally). If you have filters installed in hard-to-access locations, test points and hose assemblies can be used to plumb up a bulkhead to read pressure differentials.

Styles	Temperature Range
<ul style="list-style-type: none"> <li>• Pressure</li> </ul>	<ul style="list-style-type: none"> <li>• Metal cap: -22°F to 248°F / -30°C to 120°C</li> </ul>
Applications	<ul style="list-style-type: none"> <li>• Plastic cap: -22°F to 212°F / -30°C to 100°C</li> </ul>
<ul style="list-style-type: none"> <li>• Fluid or gas</li> </ul>	



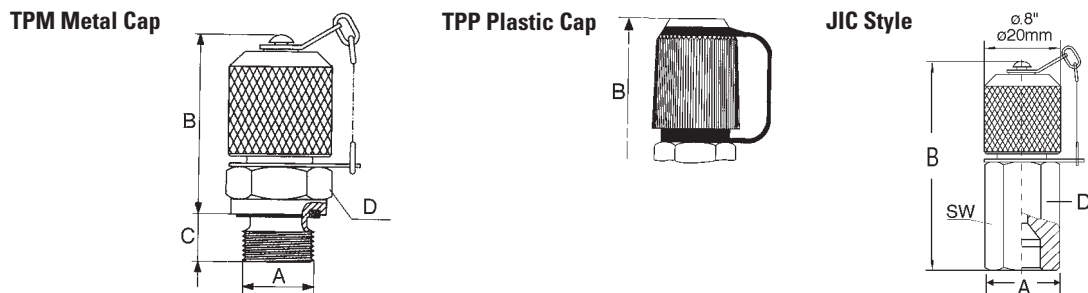
## TPM/TPP-1215 Assembly Views M12x1.5 Thread



### Test Point Choices

Part No.	Description	Working Pressure psi/bar	A Thread Type	E (in/mm)	F (in/mm)	G (in/mm)	Cap
P563192	TPM-1215-04G	9000/630	1/4" BSPP, Form G	1.30/33	.33/8.5	0.55/14	Metal
P563197	TPP-1215-02N	5800/400	1/8" NPTF	1.14/29	.47/12	0.55/14	Plastic
P563193	TPM-1215-04N	9000/630	1/4" NPTF	1.14/29	.59/15	0.55/14	Metal
P563199	TPP-1215-03S	9000/630	3/8"-24 UNF (#3 SAE)	1.42/36	.39/10	0.87/22	Plastic
P563206	TPP-1215-04S	9000/630	7/16"-20 UNF (#4 SAE)	1.26/32	.35/9	0.67/17	Plastic
P563207	TPP-1215-06S	9000/630	9/16"-18 UNF (#6 SAE)	1.22/31	.39/10	0.75/19	Plastic

## TPM/TPP-1620 Assembly Views M16x2 Thread



### Test Point Choices

Part No.	Description	Working Pressure psi/bar	A Thread Type	B (in/mm)	C (in/mm)	D (mm)	Cap
P563210	TPM-1620-02B	5800/400	ISO 228-G 1/8" BSPP	1.5/38	0.31/8	17	Metal
P563215	TPM-1620-04B	9000/630	ISO 228-G 1/4" BSPP	1.42/36	0.39/10	19	Metal
P563987	TPM-1620-06B	9000/630	ISO 228-G 3/8" BSPP	1.42/36	0.39/10	22	Metal
P563219	TPM-1620-04J	8100/600	#4 37° JIC Female	2.17/55	—	17	Metal
P563231	TPM-1620-06J	4500/315	#6 37° JIC Female	2.26/57.5	—	19	Metal
P563212	TPM-1620-02N	5800/400	1/8" NPTF	1.3/33	0.51/13	17	Metal
P563220	TPM-1620-04N	9000/630	1/4" NPTF	1.3/33	0.65/16.5	17	Metal
P563224	TPM-1620-04S	9000/630	7/16"-20 UNF (#4 SAE)	1.46/37	0.35/9	17	Metal
P563232	TPM-1620-06S	9000/630	9/16"-18 UNF (#6 SAE)	1.42/36	0.39/10	19	Metal



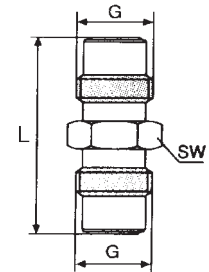
# Test Point Adapters



A variety of adapters to suit your application.

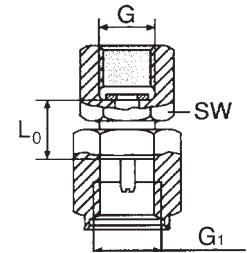
## Hose Union Gauge

Part No.	Description	G Thread	psi/bar	L (in/mm)	SW (in/mm)
P563263	AHU-1215	M12 x 1.5	9000/630	1.14/29	.55/14
P563264	AHU-1620	M16 x 2	9000/630	1.65/42	.67/17



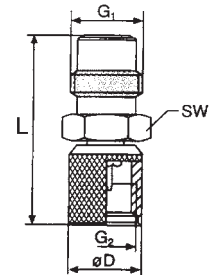
## Direct Gauge Adapter

Part No.	Description	G Int. Thread	G1 Thread	psi/bar	L0 (in/mm)	SW (in/mm)
P563808	ADG-1215-04N	1/4" NPT	M12 x 1.5	9000/630	1.14/29	.55/14
P563809	ADG-1620-04N	1/4" NPT	M16 x 2	9000/630	.55/14	.75/19



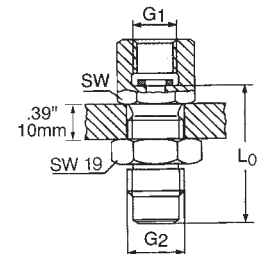
## Series Converter

Part No.	Description	G1 Thread	G2 Thread	ØD (in/mm)	L (in/mm)	SW (in/mm)
P563265	ASC-1215	M16 x 2	M12 x 1.5	.67/17	1.30/33	.67/17
P563266	ASC-1620	M12 x 1.5	M16 x 2	.79/20	1.04/26.5	.67/17



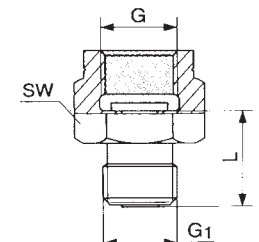
## Bulkhead Gauge Adaptor

Part No.	Description	G1 Thread	G2 Thread	L (in/mm)	SW (in/mm)
P563800	ABH-1215-04N	1/4" NPT	1215M 12 x 1.5	1.52/39.5	.75/27
P563807	ASC-1620-04N	1/4" NPT	1620/M16 x 2	1.52/38.5	.75/19



## Pressure Gauge Connection

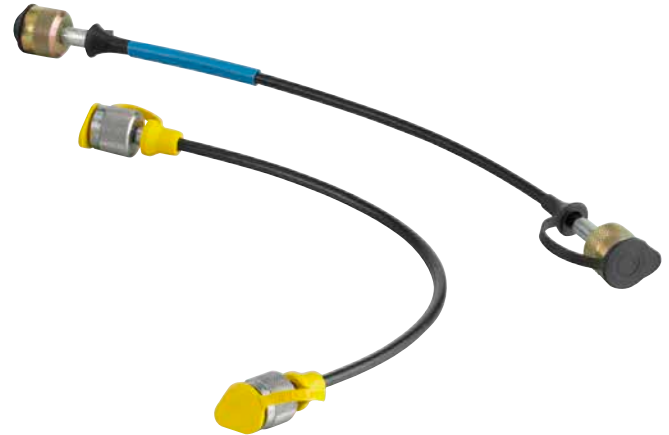
Part No.	Description	G Thread	G1 Thread	psi/bar	L (in/mm)	SW (in/mm)
P563262	AHG-1215-04N	1/4" NPT	M12 x 1.5	9000/630	.71/18	.74/19



## Test Point Hose Assemblies

### Specifications

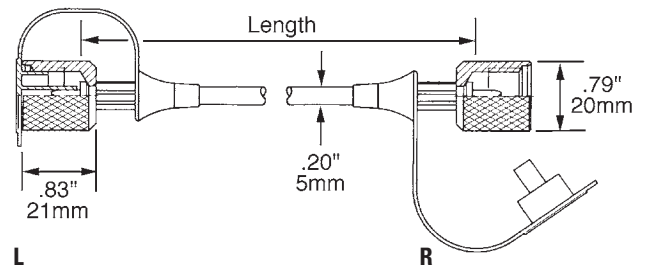
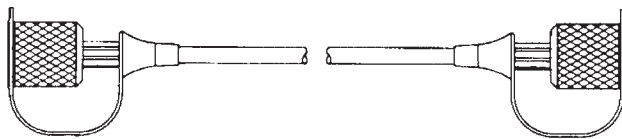
- Working Pressure to:  
9000 psi / 630 bar
- Temperature Range:  
-4°F to 212°F / -20°C to 100°C
- Length:  
12" to 180" / 305mm to 4570mm



### Features

Donaldson test point hoses are made of Polyamide 11 core with polyester braid reinforcement and Polyamide 11 cover. They are suitable for use with petroleum-based fluids. Hoses are standard straight on both ends and include plastic dust caps.

For hydraulic filters installed in hard-to-access locations, hose assemblies and test points can be used to plumb up a bulkhead to read pressure differentials.



### 1215 Series M12x1.5 Thread

Part No.	Description	Length (in/mm)
P563240	H-1215-B-0101-012	12/305
P563243	H-1215-B-0101-024	24/610
P563244	H-1215-B-0101-036	36/915
P563245	H-1215-B-0101-048	48/1220
P563246	H-1215-B-0101-072	72/1830
P563247	H-1215-B-0101-096	96/2440
P563248	H-1215-B-0101-120	120/3050
P563249	H-1215-B-0101-180	80/4570

### 1620 Series M16x2 Thread

Part No.	Description	Length (in/mm)
P563250	H-1620-B-0101-012	12/305
P563251	H-1620-B-0101-018	18/460
P563252	H-1620-B-0101-024	24/610
P563254	H-1620-B-0101-036	36/915
P563255	H-1620-B-0101-048	48/1220
P563256	H-1620-B-0101-072	72/1830
P563257	H-1620-B-0101-096	96/2440
P563259	H-1620-B-0101-120	120/3050
P563260	H-1620-B-0101-144	144/3660
P563261	H-1620-B-0101-180	180/4570

## In-Line Check Valves

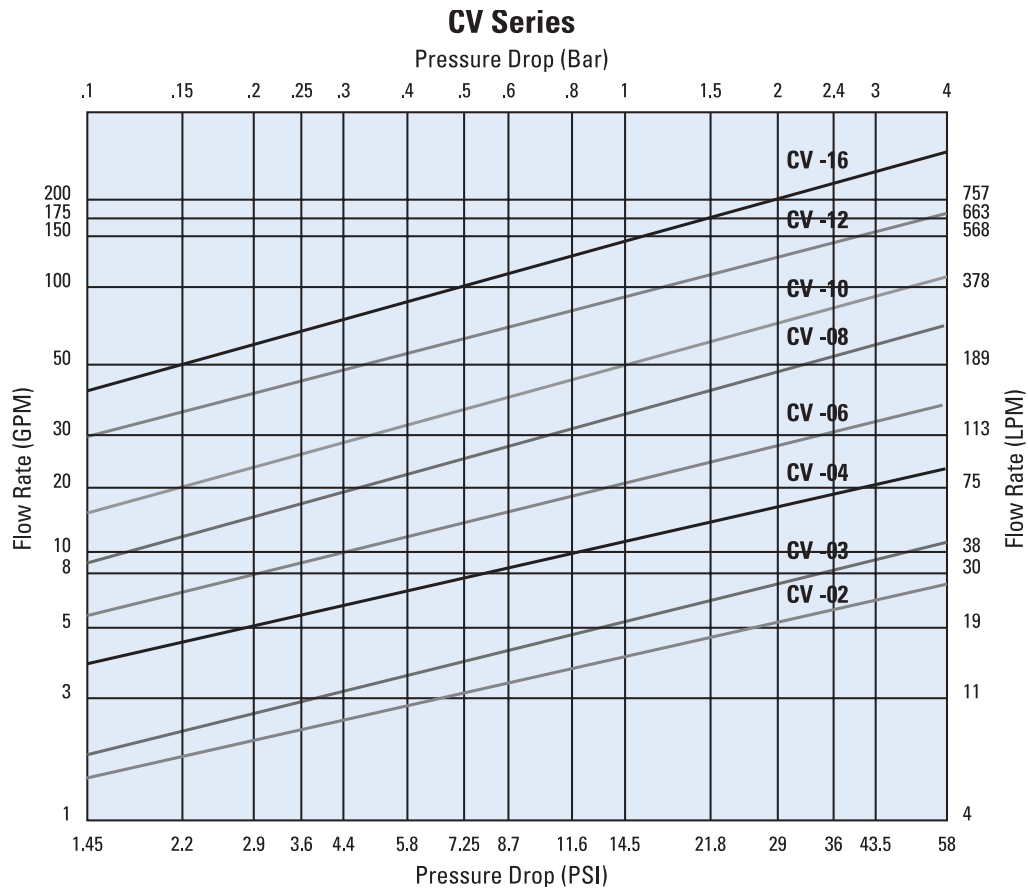
### Specifications

- Working Pressure to: 4350 psi / 300 bar
- Flow Range: 200 gpm 757 lpm



### Features

Steel constructed check valves are compatible with all non-corrosive liquids. Valves contain no elastomeric seals. Restricted orifice (.062) option available on some models.



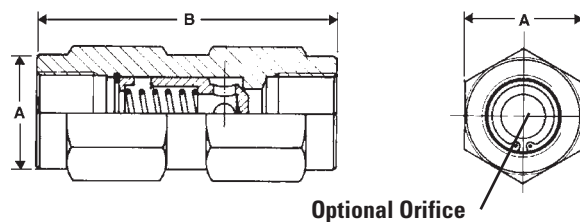
The above chart is based on Hydraulic Oil 100 SUS, S.G. = 0.86

Sizes	Opening Pressure (Cracking)
<ul style="list-style-type: none"> <li>• ¼", 3/8", ½", ¾", 1", 1 ¼", 1 ½" and 2" NPT</li> </ul>	<ul style="list-style-type: none"> <li>• 5 psi / 0.34 bar or 65 psi / 4.5 bar</li> </ul>
<ul style="list-style-type: none"> <li>• #4, #6, #8, #12, #16, #20, #24 and #32 SAE</li> </ul>	



## In-Line Check Valve Options

Part No.	Reference	Max Working Pressure (psi/bar)	Max. Rated Flow Flow (gpm/lpm)	Opening Pressure (psi/bar)	Port	A (in/mm)	B (in/mm)
P562297	CV-02P-5	4350/300	6/23	5/0.34	1/4" NPT	0.75/19	2.17/55
P562298	CV-02P-65	4350/300	6/23	65/4.5	1/4" NPT	0.75/19	2.17/55
P562299	CV-02S-5	4350/300	6/23	5/0.34	#4 SAE	0.75/19	2.17/55
P562301	CV-03P-5	4350/300	10/38	5/0.34	3/8" NPT	0.98/25	2.68/68
P562302	CV-03P-65	4350/300	10/38	65/4.5	3/8" NPT	0.98/25	2.68/68
P562303	CV-03S-5	4350/300	10/38	5/0.34	#6 SAE	0.75/19	2.29/58
P562305	CV-04P-5	4350/300	16/60	5/0.34	1/2" NPT	1.06/27	2.95/75
P562306	CV-04P-65	4350/300	16/60	65/4.5	1/2" NPT	1.06/27	2.95/75
P562307	CV-04S-5	4350/300	16/60	5/0.34	#8 SAE	0.98/25	2.72/69
P562308	CV-04S-65	4350/300	16/60	65/4.5	#8 SAE	0.98/25	2.72/69
P562309	CV-06P-5	4350/300	25/94	5/0.34	3/4" NPT	1.38/35	3.48/88
P562311	CV-06P-65	4350/300	25/94	65/4.5	3/4" NPT	1.38/35	3.48/88
P562312	CV-06S-5	4350/300	25/94	5/0.34	#12 SAE	1.38/35	3.48/88
P562313	CV-06S-65	4350/300	25/94	65/4.5	#12 SAE	1.38/35	3.48/88
P562314	CV-08P-5	4350/300	45/169	5/0.34	1" NPT	1.61/41	4.33/110
P562316	CV-08P-65	4350/300	45/169	65/4.5	1" NPT	1.61/41	4.33/110
P562317	CV-08S-5	4350/300	45/169	5/0.34	#16 SAE	1.61/41	4.33/110
P563307	CV-08S-65	4350/300	45/169	65/4.5	#16 SAE	1.61/41	4.33/110
P562319	CV-10P-5	4350/300	95/357	5/0.34	1-1/4" NPT	2.16/55	4.72/120
P562320	CV-10P-65	4350/300	95/357	65/4.5	1-1/4" NPT	2.16/55	4.72/120
P562321	CV-10S-5	4350/300	95/357	5/0.34	#20 SAE	2.16/55	4.72/120
P562322	CV-10S-65	4350/300	95/357	65/4.5	#20 SAE	2.16/55	4.72/120
P562323	CV-12P-5	4350/300	130/489	5/0.34	1-1/2" NPT	2.56/65	5.43/138
P562324	CV-12P-65	4350/300	130/489	65/4.5	1-1/2" NPT	2.56/65	5.43/138
P562325	CV-12S-5	4350/300	130/489	5/0.34	#24 SAE	2.56/65	5.43/138
P562326	CV-12S-65	4350/300	130/489	65/4.5	#24 SAE	2.56/65	5.43/138
P562327	CV-16P-5	2900/200	200/752	5/0.34	2" NPT	2.56/65	5.43/138
P562328	CV-16P-65	2900/200	200/752	65/4.5	2" NPT	2.56/65	5.43/138





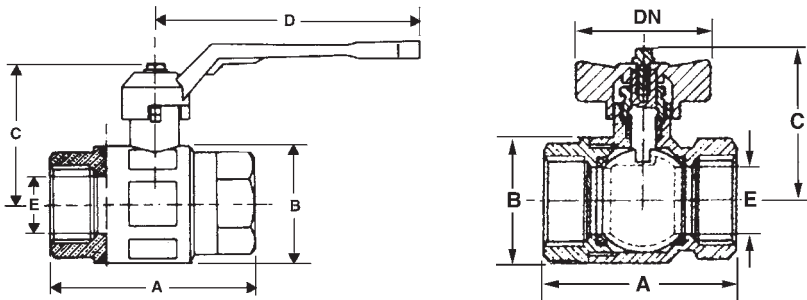


## Ball Valves - Low Pressure

### Specifications

- Hot pressed brass body and ball OT 58
- Materials (ball and body): BV Series chromium plated
- Steel handle
- Teflon® seals (ball and stem)

Teflon® is a registered trademark of E. I. DuPont de Nemours and Company.



### Features

Low pressure ball valves are rated for water, oil or gas (WOG) applications. Two-way/two-position, quarter turn operation. Full-ported sizes from 1/4" to 2" NPT. T-handle available on some models. Suitable for temperatures from -22°F to 350°F (-30°C to 162°C).

### Ball Valve Options

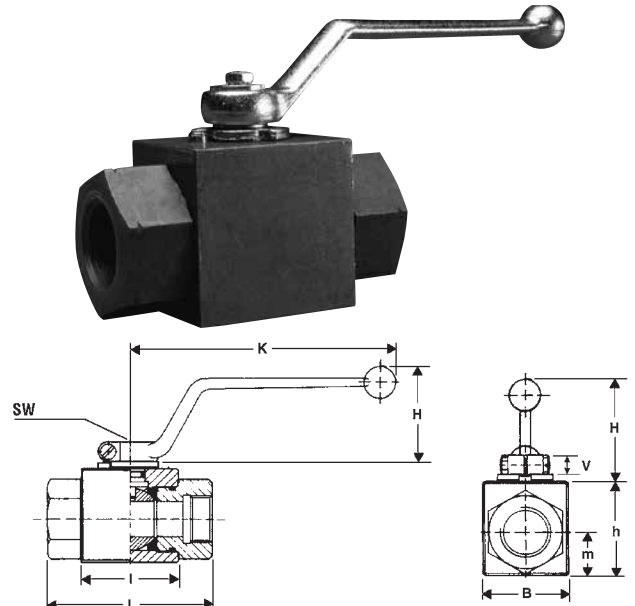
Part No.	Description	Max. Working Pressure (psi/bar)	Port Thread	Dimensions (in/mm)				
				A	B	C	D	E
P562331	BV-04-N	710/49	1/4" NPT	1.89/48	0.98/25	1.69/43	3.15/80	0.40/10
P562333	BV-06-N	710/49	3/8" NPT	1.89/48	0.98/25	1.69/43	3.15/80	0.40/10
P562336	BV-08-N	710/49	1/2" NPT	2.00/51	1.22/31	1.77/45	3.15/80	0.60/15
P563311	BV-12-N	570/39	3/4" NPT	2.24/57	1.46/37	2.36/60	4.44/113	0.80/20
P562338	BV-16-N	570/39	1" NPT	2.75/70	1.81/46	2.48/63	4.44/113	1.00/25
P562339	BV-20-N	430/30	1-1/4" NPT	3.15/80	2.24/57	3.11/79	5.43/138	1.25/32
P562341	BV-24-N	430/30	1-1/2" NPT	3.66/93	2.75/70	3.27/83	5.43/138	1.57/40
P562343	BV-32-N	360/25	2" NPT	4.41/112	3.31/84	3.94/100	6.22/158	1.97/50
P562345	BV-40-N	260/18	2-1/2" NPT	5.31/135	3.82/97	3.98/101	7.75/197	2.12/54
P562346	BV-48-N	230/16	3" NPT	6.25/159	4.80/122	5.08/129	9.84/250	2.56/65



## Ball Valves - Medium/High Pressure

### Specifications

- Steel body
- Brass ball with chrome plating (MBV-04 thru MBV-16)
- Steel ball with chrome plating (HBV, MBV-20 thru MBV-32)
- Steel zinc stem (MBV)
- Delrin ball seal
- Stem seal: Nitrile (MBV); fluorocarbon (HBV)
- Aluminum handles on HBV larger sizes



### Features

Medium duty (MBV) and high pressure (HBV) ball valves are compatible with petroleum-based fluids. Two-way, two-position valves are suited for on/off control. Optional locking tabs provide added safety. Valves come standard with bent handles; straight handles are available for some models. Operating temperatures from -22°F to 212°F / -30°C to 100°C.

### Medium Duty Ball Valves - MBV

Part No.	Description	Port Thread	Pressure (psi/bar)	Dimensions (in/mm)								
				L	I	B	H	h	m	V	SW	K
P562387	MBV-04-N	1/4" NPT	7250/500	2.7/69	1.4/36	1.0/26	1.7/43	1.3/32	0.5/12.5	0.4/11	0.4/9	4.6/118
P562388	MBV-04-S	7/16"-20 SAE	7250/500	2.7/69	1.4/36	1.0/26	1.7/43	1.3/32	0.5/12.5	0.4/11	0.4/9	4.6/118
P563308	MBV-06-N	3/8" NPT	7250/500	3.1/79	1.7/43	1.3/32	1.7/43	1.5/38	0.7/17.5	0.4/11	0.4/9	4.6/118
P562389	MBV-06-S	9/16"-18 SAE	7250/500	3.1/79	1.7/43	1.3/32	1.7/43	1.5/38	0.7/17.5	0.4/11	0.4/9	4.6/118
P562390	MBV-08-N	1/2" NPT	7250/500	4.1/104	1.9/48	1.4/35	1.7/43	1.6/40	0.75/19	0.4/11	0.4/9	4.6/118
P563309	MBV-08-S	3/4"-16 SAE	7250/500	4.1/104	1.9/48	1.4/35	1.7/43	1.6/40	0.75/19	0.4/11	0.4/9	4.6/118
P562391	MBV-12-N	3/4" NPT	5800/400	4.3/109	2.4/62	1.9/49	2.3/58	2.2/57	1.0/24.5	0.6/14	0.6/14	7.2/182
P562392	MBV-12-S	1-1/16"-12 SAE	5800/400	4.3/109	2.4/62	1.9/49	2.3/58	2.2/57	1.0/24.5	0.6/14	0.6/14	7.2/182
P562394	MBV-16-N	1" NPT	4500/310	4.6/117	2.6/66	2.3/58	2.3/58	2.6/65	1.2/29.5	0.6/14	0.6/14	7.2/182
P562395	MBV-16-S	1-5/16"-12 SAE	4500/310	4.6/117	2.6/66	2.3/58	2.3/58	2.6/65	1.2/29.5	0.6/14	0.6/14	7.2/182
P562396	MBV-20-N	1-1/4" NPT	4500/310	4.3/110	3.2/80	3.0/76	2.3/58	3.3/84	1.5/38	0.6/15	0.7/17	8.5/218
P562397	MBV-20-S	1-5/8"-12 SAE	4500/310	4.3/110	3.2/80	3.0/76	2.3/58	3.3/84	1.5/38	0.6/15	0.7/17	8.5/218
P562398	MBV-24-N	1-1/2" NPT	3625/250	5.1/130	3.3/85	3.6/92	2.3/58	3.9/99	1.8/46	0.6/15	0.7/17	8.5/218
P563310	MBV-24-S	1-7/8"-12 SAE	3625/250	5.1/130	3.3/85	3.6/92	2.3/58	3.9/99	1.8/46	0.6/15	0.7/17	8.5/218
P562399	MBV-32-N	2" NPT	3625/250	5.5/140	3.9/100	4.2/106	2.3/58	4.4/111	2.1/53	0.6/15	0.7/17	8.5/218

# High Pressure Ball Valves

## High Pressure Ball Valve Options

Part No.	Description	Port Thread	Pressure (psi/bar)	Dimensions (in/mm)								
				L	I	B	H	h	m	V	SW	K
P562356	HBV-04-N	1/4" NPT	7250/500	2.7/69	1.4/36	1.0/26	1.7/43	1.3/32	0.5/12.5	0.4/11	0.4/9	4.6/118
P562357	HBV-04-S	7/16"-20 SAE	7250/500	2.7/69	1.4/36	1.0/26	1.7/43	1.3/32	0.5/12.5	0.4/11	0.4/9	4.6/118
P562358	HBV-06-N	3/8" NPT	7250/500	3.1/79	1.7/43	1.3/32	1.7/43	1.5/38	0.7/17.5	0.4/11	0.4/9	4.6/118
P562359	HBV-06-S	9/16"-18 SAE	7250/500	3.1/79	1.7/43	1.3/32	1.7/43	1.5/38	0.7/17.5	0.4/11	0.4/9	4.6/118
P562360	HBV-08-N	1/2" NPT	7250/500	4.1/104	1.9/48	1.4/35	1.7/43	1.6/40	0.75/19	0.4/11	0.4/9	4.6/118
P562361	HBV-08-S	3/4"-16 SAE	7250/500	4.1/104	1.9/48	1.4/35	1.7/43	1.6/40	0.75/19	0.4/11	0.4/9	4.6/118
P562362	HBV-12-N	3/4" NPT	5800/400	4.3/109	2.4/62	1.9/49	2.3/58	2.2/57	1.0/24.5	0.6/14	0.6/14	7.2/182
P562363	HBV-12-S	1-1/16"-12 SAE	5800/400	4.3/109	2.4/62	1.9/49	2.3/58	2.2/57	1.0/24.5	0.6/14	0.6/14	7.2/182
P562364	HBV-16-N	1" NPT	4500/310	4.6/117	2.6/66	2.3/58	2.3/58	2.6/65	1.2/29.5	0.6/14	0.6/14	7.2/182
P562365	HBV-16-S	1-5/16"-12 SAE	4500/310	4.6/117	2.6/66	2.3/58	2.3/58	2.6/65	1.2/29.5	0.6/14	0.6/14	7.2/182
P562368	HBV-20-N	1-1/4" NPT	4500/310	4.3/110	3.2/80	3.0/76	2.3/58	3.3/84	1.5/38	0.6/15	0.7/17	8.5/218
P562369	HBV-20-S	1-5/8"-12 SAE	4500/310	4.3/110	3.2/80	3.0/76	2.3/58	3.3/84	1.5/38	0.6/15	0.7/17	8.5/218

## Replacement Parts for High Pressure Ball Valves

Part No.	Description	Style	Valve Size
<b>Handles</b>			
P562376	HBVH-040608	Bent Handle	04, 06, 08
P562377	HBVH-1216	Bent Handle	12, 16
P562378	HBVH-202432	Bent Handle	20, 24, 32

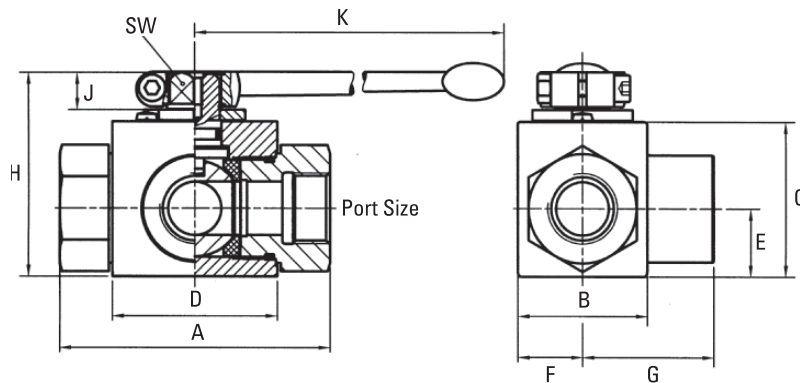
Part No.	Description	Valve Size
<b>Seal Kit</b>		
P562379	HBV-SK-04	04
P562380	HBV-SK-06	06
P562629	HBV-SK-08	08
P562630	HBV-SK-12	12
P562381	HBV-SK-16	16
P562382	HBV-SK-20	20



# Three-Way Selector Ball Valve

## Specifications

- Maximum pressure  
7250 psi / 500 bar
- Steel construction
- Operating temperature  
-22°F to 212°F / -30°C to 100°C

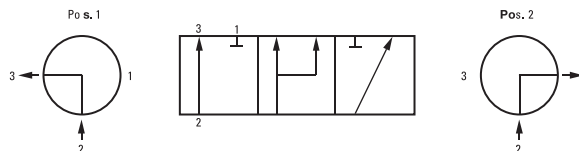


Part No.	Reference	Port Size	Max Pressure	Dimensions (in/mm)										
				A	B	C	D	E	F	G	H	J	K	SW
P562342	3W-HBV-08-N	1/2" NPT	7250 psi	4.09	1.50	1.57	1.89	0.75	0.69	1.63	2.13	0.43	4.53	0.3
			50000 kPa	104	38	40	48	19	17.5	41.5	54	11	115	9
P562344	3W-HBV-12-N	3/4" NPT	4500 psi	4.02	2.05	2.24	2.44	0.96	0.96	1.87	2.95	0.55	7.87	0.55
			31028 kPa	102	52	57	62	24.5	24.5	47.5	75	14	200	14
P562404	3W-HBV-16-N	1" NPT	4500 psi	4.69	2.40	2.56	2.60	1.16	1.14	2.22	3.27	0.55	7.87	0.55
			31028 kPa	119	61	65	66	29.5	29	56.5	83	14	200	14
P562405	3W-HBV-16-S	SAE-16	4500 psi	4.72	2.80	3.33	3.19	1.54	1.54	2.36	4.17	0.65	12.60	0.67
			31028 kPa	120	71	84.5	81	39	39	60	106	16.5	320	17
P562406	3W-HBV-20-N	1-1/4" NPT	5000psi	4.72	2.80	3.33	3.19	1.54	1.54	2.36	4.17	0.65	12.60	0.67
			34500 kPa	120	71	84.5	81	39	39	60	106	16.5	320	17

### Operation:

Open cross-over (no zero position)

Pressure inlet only from port 2



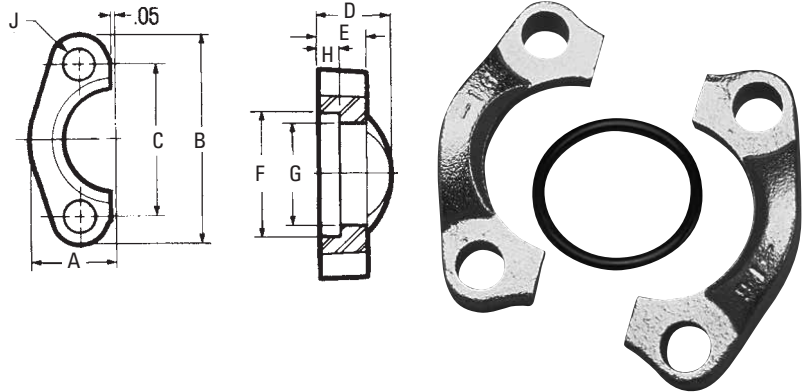
## Split Flanges

### Specifications

- Code 61 and Code 62
- Nitrile O-Ring

Each kit includes:

- 2 split flange halves
- 4 hex head mounting bolts and lock washers
- 1 Nitrile O-Ring



### Code 61

Part No.	Reference	Flange Size	Dimensions (in/mm)									Mounting Hardware		Max. Working Pressure
			A	B	C	D	E	F	G	H	J (Dia.)	O-Ring	Hex Head Cap Screw	
P563042	L-12SF-3	0.75	0.98	2.56	1.875	0.88	0.56	1.531	1.265	0.245	0.406	-214	3/8"-16x11/4	5000
		19	25	65	48	22	14	39	32	6	10			34500kPa
P563044	L-16SF-3	1.00	1.11	2.75	2.062	0.94	0.62	1.781	1.515	0.295	0.406	-219	3/8"-16x11/4	5000
		25	28	70	52	24	16	45	38	7	10			34500kPa
P563047	L-20SF-3	1.25	1.39	3.12	2.312	0.88	0.56	2.031	1.720	0.295	0.469	-222	7/16"-14x11/2	4000 psi
		32	35	79	59	22	14	52	44	7	12			27580 kPa
P563050	L-24SF-3	1.50	1.58	3.69	2.750	1.00	0.62	2.406	2.000	0.295	0.531	-225	1/2"-13x11/2	3000 psi
		38	40	94	70	25	16	61	51	8	13			20685 kPa
P563053	L-32SF-3	2.00	1.86	4.00	3.062	1.03	0.62	2.844	2.470	0.355	0.531	-228	1/2"-13x11/2	3000 psi
		51	47	102	78	26	16	72	63	9	13			20685 kPa
P563056	L-40SF-3	2.50	2.09	4.50	3.500	1.50	0.75	3.344	2.950	0.355	0.531	-232	1/2"-13x13/4	2500 psi
		64	53	114	89	38	19	85	75	9	13			17240 kPa

### Code 62 Mounting Hardware

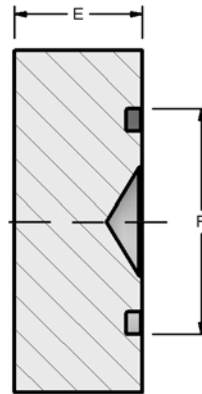
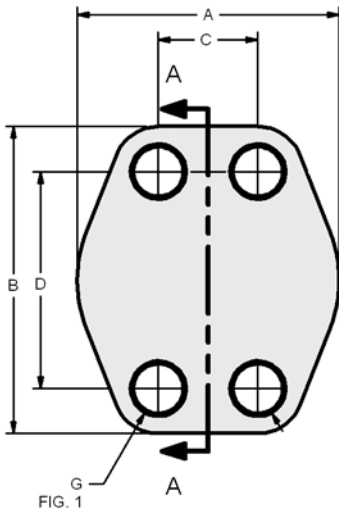
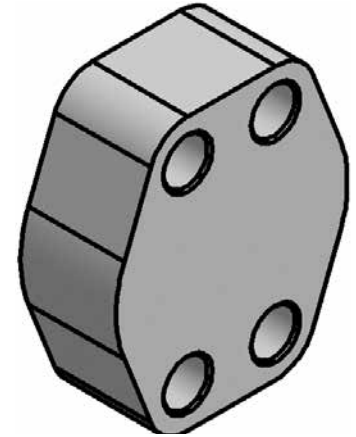
Part No.	Reference	Flange Size	Dimensions (in/mm)									Mounting Hardware		Max. Working Pressure
			A	B	C	D	E	F	G	H	J (Dia.)	O-Ring	Hex Head Cap Screw	
P563046	L-16SFX-6	1.00	1.33	3.19	2.250	1.31	0.94	1.906	1.530	0.355	0.469	-219	7/16"-14x13/4	6000 psi
		25	34	81	57	33	24	48	39	9	12			41370kPa
P563049	L-20SFX-6	1.25	1.48	3.75	2.625	1.50	1.06	2.156	1.750	0.385	0.531	-222	1/2"-13x13/4	6000 psi
		32	38	95	67	38	27	55	44	10	13			41370kPa
P563051	L-24SFX-6	1.50	1.83	4.44	3.125	1.69	1.19	2.531	2.030	0.475	0.656	-225	5/8"-11x21/4	6000 psi
		38	46	113	79	43	30	64	52	12	17			41370kPa
P563054	L-32SFX-6	2.00	2.20	5.25	3.812	2.06	1.44	3.156	2.660	0.475	0.781	-228	3/4"-10x23/4	6000 psi
		51	56	133	97	52	37	80	68	12	20			41370kPa



# Blanking Flanges

## Specifications

- Code 61 and 62
- O-Ring



## Blanking Flanges, Code 61

Part No.	Reference	Pad Size	Dimensions (in/mm)							Mounting Hardware	
			A	B	C	D	E	F	G	O-Ring	SHCS
P563061	LIB-16-16-30	1"/25mm	2.313/59	2.750/70	1.031/26	2.063/52	0.88/22	1.560/40	0.406/10	-219	3/8"-16x1.75
P563063	LIB-20-20-30	1-1/4"/32mm	2.875/73	3.125/79	1.188/30	2.313/59	0.94/24	1.750/44	0.469/12	-222	7/16"-14x1.75
P563065	LIB-24-24-30	1-1/2"/38mm	3.250/83	3.688/94	1.406/36	2.750/70	1.19/30	2.115/54	0.531/13	-225	1/2"-13x2.25
P563067	LIB-32-32-30	2"/51mm	3.813/97	4.000/102	1.688/43	3.063/78	1.44/37	2.490/63	0.531/13	-228	1/2"-13x2.50

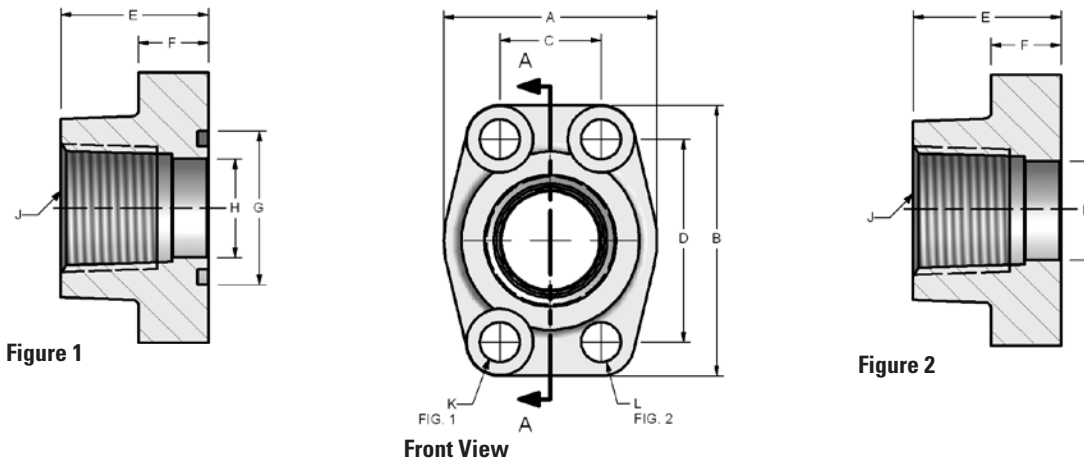
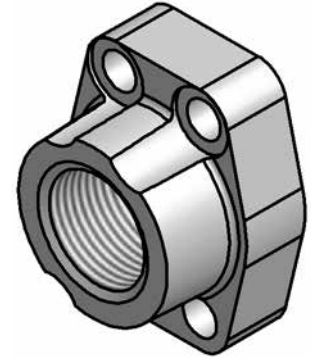
## Blanking Flanges, Code 62

Part No.	Reference	Pad Size	Dimensions (in/mm)							Mounting Hardware	
			A	B	C	D	E	F	G	O-Ring	SHCS
P563064	LIB-20-20-60	1-1/4"/32mm	3.060/78	3.750/95	1.250/32	2.625/67	1.43/36	1.750/44	0.531/13	-222	1/2"-13x2.50

## 4-Bolt NPTF Threaded Flange

### Specifications

- Code 61 and 62
- NPT Thread
- Nitrile O-Ring
- Mounting hardware and O-Ring included on O-Ring models
- Maximum temperature with O-Ring 250°F / 121°C



### Code 61 NPTF Thread, O-Ring (Figure 1)

Part No.	Description	Port Size	Pad Size	Dimensions (in/mm)								J NPTF	K (dia.) Drill	Mounting Hardware	
				A	B	C	D	E	F	G	H			O-Ring	SHCS
P563088	LI-12-12P-30	0.75	0.75	1.97	2.56	0.875	1.875	1.42	0.71	1.250	0.752	3/4"-14	0.406	-214	3/8"-16 x 1.25
		19	19	50	65	22	48	36	18	32	19		10		
P563093	LI-16-16P-30	1.00	1.00	2.17	2.75	1.031	2.062	1.50	0.71	1.560	1.002	1"-11.5	0.406	-219	3/8"-16 x 1.50
		25	25	55	70	26	52	38	18	40	25		10		
P563100	LI-20-20P-30	1.25	1.25	2.68	3.12	1.188	2.312	1.61	0.83	1.750	1.252	1-1/4"-11.5	0.469	-222	7/16"-14 x 1.50
		32	32	68	79	30	59	41	21	44	32		12		
P563107	LI-24-24P-30	1.50	1.50	3.07	3.66	1.406	2.750	1.77	0.98	2.115	1.502	1-1/2"-11.5	0.531	-225	1/2"-13 x 1.75
		38	38	78	93	36	70	45	25	54	38		13		
P563113	LI-32-32P-30	2.00	2.00	3.54	4.00	1.688	3.062	1.77	0.98	2.490	2.002	2"-11.5	0.531	-228	1/2"-13 x 1.75
		51	51	90	102	43	78	45	25	63	51		13		
P563117	LI-40-40P-30	2.50	2.50	4.09	4.49	2.000	3.500	1.97	0.98	2.995	2.502	2-1/2"-8	0.531	-232	1/2"-13 x 2.25
		64	64	104	114	51	89	50	25	76	64		13		
P563118	LI-48-48P-30	3.00	3.00	4.88	5.28	2.438	4.188	1.97	1.06	3.615	3.002	3"-8	0.656	-237	5/8"-11 x 2.50
		76	76	124	134	62	106	50	27	92	76		17		





## 4-Bolt NPTF Threaded Flange

### Code 61 NPTF Thread, Flat Face (Figure 2)

Part No.	Description	Port Size	Pad Size	Dimensions (in/mm)								L Tap	
				A	B	C	D	E	F	G	H	J NPTF	UNC-2B
P563163	LIC-16-16P-30	1.00	1.00	2.17	2.75	1.031	2.062	1.50	0.71	1.560	1.002	1"-11.5	3/8"-16
		25	25	55	70	26	52	38	18	40	25		
P563166	LIC-20-20P-30	1.25	1.25	2.68	3.12	1.188	2.312	1.61	0.83	1.750	1.252	1-1/4"-11.5	7/16"-14
		32	32	68	79	30	59	41	21	44	32		
P563171	LIC-32-32P-30	2.00	2.00	3.54	4.00	1.688	3.062	1.77	0.98	2.490	2.002	2"-11.5	1/2"-13
		51	51	90	102	43	78	45	25	63	51		

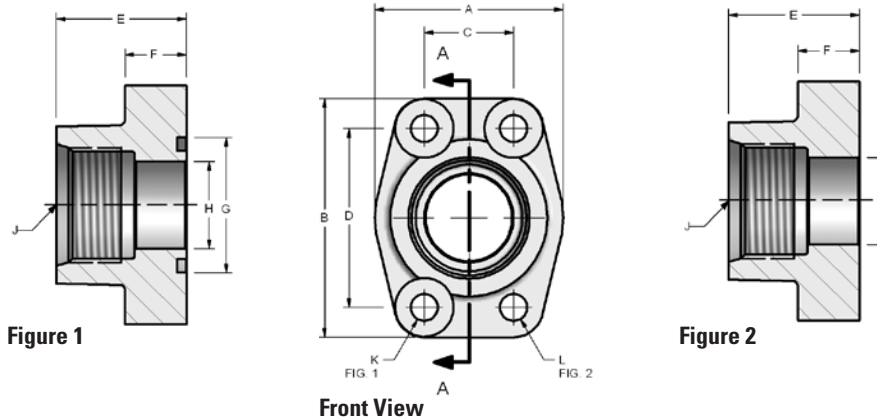
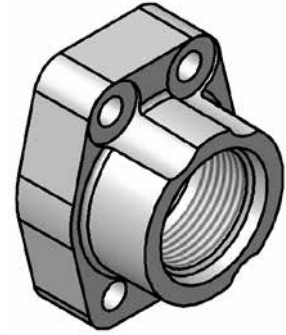
### Code 62 NPTF Thread, O-Ring (Figure 1)

Part No.	Description	Port Size	Pad Size	Dimensions (in/mm)								K (dia.)	Mounting Hardware		
				A	B	C	D	E	F	G	H	J NPTF	Drill	O-Ring	SHCS
P563094	LI-16-16P-60	1.00	1.00	2.56	3.19	1.093	2.250	1.65	0.98	1.560	1.002	1-11.5	0.492	-219	7/16"-14 x 1.50
		25	25	65	81	28	57	42	25	40	25		12		
P563101	LI-20-20P-60	1.25	1.25	3.07	3.75	1.250	2.625	1.77	1.06	1.750	1.252	1-1/4-11.5	0.531	-222	1/2"-13 x 1.50
		32	32	78	95	32	67	45	27	44	32		13		
P563108	LI-24-24P-60	1.50	1.50	3.70	4.41	1.437	3.125	1.97	1.18	2.115	1.502	1-1/2-11.5	0.656	-225	5/8"-11 x 1.75
		38	38	94	112	36	79	50	30	54	38		17		

## 4-Bolt SAE Threaded Flange

### Specifications

- Code 61 and 62
- SAE Straight Thread
- Nitrile O-Ring
- Mounting hardware and O-Ring included on O-Ring models
- Maximum temperature with O-Ring 250°F / 121°C



### Code 61 Straight Thread, O-Ring (Figure 1)

Part No.	Reference	Port Size	Pad Size	Dimensions (in/mm)								J UN/ UNF-2B	K (Dia.) Drill	Mounting Hardware	
				A	B	C	D	E	F	G	H			O-Ring	SHCS
P563090	LI-12-12S-30	0.75/19	0.75/19	1.97/50	2.56/65	0.875/22	1.875/48	1.42/36	0.71/18	1.250/32	0.752/19	1 1/16"-12	0.406/10	-214	3/8"-16 x 1.25
P563095	LI-16-16S-30	1.00/25	1.0/25	2.17/55	2.75/70	1.031/26	2.062/52	1.50/38	0.71/18	1.560/40	1.002/25	1 5/16"-12	0.406/10	-219	3/8"-16 x 1.50
P563102	LI-20-20S-30	1.25/32	1.25/32	2.68/68	3.12/79	1.188/30	2.312/59	1.61/41	0.83/21	1.750/44	1.252/32	1 5/8"-12	0.469/12	-222	7/16"-14 x 1.50
P563109	LI-24-24S-30	1.50/38	1.50/38	3.07/78	3.66/93	1.406/36	2.750/70	1.77/45	0.98/25	2.115/54	1.502/38	1 7/8"-12	0.531/13	-225	1/2"-13 x 1.75
P563115	LI-32-32S-30	2.00/51	2.00/51	3.54/90	4.00/102	1.688/43	3.062/78	1.77/45	0.98/25	2.490/63	2.002/51	2 1/2"-12	0.531/13	-228	1/2"-13 x 1.75

### Code 61 Straight Thread, Flat Face (Figure 2)

Part No.	Reference	Port Size	Pad Size	Dimensions (in/mm)								J UN/ UNF-2B	L Tap UNC-2B
				A	B	C	D	E	F	G	H		
P563162	LIC-12-12S-30	0.75/19	0.75/19	1.97/50	2.56/65	0.875/22	1.875/48	1.42/36	0.71/18	1.250/32	0.752/19	1 1/16"-12	3/8"-16
P563165	LIC-16-16S-30	1.00/25	1.00/25	2.17/55	2.75/70	1.031/26	2.062/52	1.50/38	0.71/18	1.560/40	1.002/25	1 5/16"-12	3/8"-16
P563168	LIC-20-20S-30	1.25/32	1.25/32	2.68/68	3.12/79	1.188/30	2.312/59	1.61/41	0.83/21	1.750/44	1.252/32	1 5/8"-12	7/16"-14

### Code 62 Straight Thread, O-Ring (Figure 1)

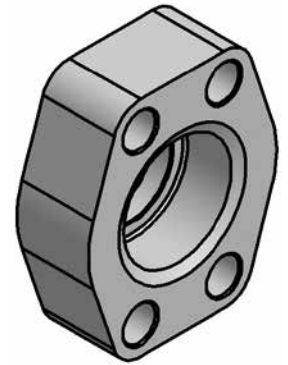
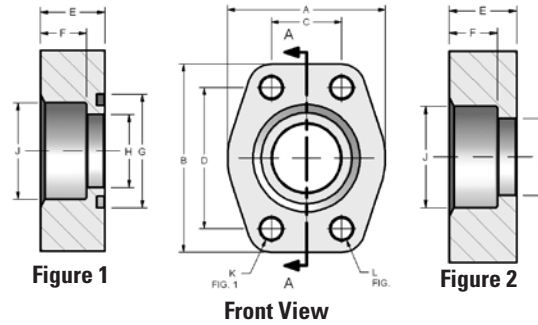
Part No.	Reference	Port Size	Pad Size	Dimensions (in/mm)								J UN/ UNF-2B	K (Dia.) Drill	Mounting Hardware	
				A	B	C	D	E	F	G	H			O-Ring	SHCS
P563096	LI-16-16S-60	1.00/25	1.00/25	2.56/65	3.19/81	1.093/28	2.250/57	1.65/42	0.98/25	1.560/40	1.002/25	1 5/16"-12	0.492/12	-219	7/16"-14 x 1.50
P563103	LI-20-20S-60	1.25/32	1.25/32	3.07/78	3.75/95	1.250/32	2.625/67	1.77/45	1.06/27	1.750/44	1.252/32	1 5/8"-12	0.531/13	-222	1/2"-13 x 1.75
P563110	LI-24-24S-60	1.50/38	1.50/38	3.70/94	4.41/112	1.437/36	3.125/79	1.97/50	1.18/30	2.115/54	1.502/38	1 7/8"-12	0.656/17	-225	5/8"-11 x 2.25



# Flat Socket Weld Flange

## Specifications

- Code 61 and 62



## Code 61, O-Ring (Figure 1)

Part No.	Desc.	Pipe Size	Pad Size	Dimensions (in/mm)										Mounting Hardware	
				A	B	C	D	E	F	G	H	J	K	O-Ring	SHCS
P563119	LI-08-08W-30	0.50/13	0.50/13	1.813/46	2.125/54	0.688/17	1.500/38	0.75/19	0.560/14	1.000/25	0.502/13	0.855/22	0.344/9	-210	5/16"-18x1.5
P563120	LI-12-12W-30	0.75/19	0.75/19	2.063/52	2.563/65	0.875/22	1.875/48	0.75/19	0.560/14	1.250/32	0.752/19	1.062/27	0.406/10	-214	3/8"-16x1.5
P563121	LI-16-16W-30	1.00/25	1.00/25	2.313/59	2.750/70	1.031/26	2.063/52	0.88/22	0.630/16	1.560/40	1.002/25	1.328/34	0.406/10	-219	3/8"-16x1.75
P563122	LI-20-20W-30	1.25/32	1.25/32	2.875/73	3.125/79	1.188/30	2.313/59	0.94/24	0.690/18	1.750/44	1.252/32	1.672/42	0.469/12	-222	7/16"-14x1.75
P563123	LI-24-24W-30	1.50/38	1.50/38	3.250/83	3.688/94	1.406/36	2.750/70	1.19/30	0.750/19	2.115/54	1.502/38	1.922/49	0.531/13	-225	1/2"-13x2.25
P563124	LI-32-32W-30	2.00/51	2.00/51	3.813/97	4.000/102	1.688/43	3.063/78	1.38/35	0.875/22	2.495/63	2.002/51	2.406/61	0.531/13	-228	1/2"-13x2.5
P563127	LI-48-48W-30	3.00/76	3.00/76	5.156/131	5.313/135	2.438/62	4.188/106	2.12/54	1.250/32	3.615/92	3.002/76	3.547/90	0.656/17	-237	5/8"-11x3.5

## Code 61, Flat Face (Figure 2)

Part No.	Desc.	Pipe Size	Pad Size	Dimensions (in/mm)										L
				A	B	C	D	E	F	G	H	J	UNC-2B	
P563176	LIC-12-12W-30	0.75/19	0.75/19	2.063/52	2.563/65	0.875/22	1.875/48	0.75/19	0.560/14	1.250/32	0.752/19	1.062/27	3/8"-16	
P563177	LIC-16-16W-30	1.00/25	1.00/25	2.313/59	2.750/70	1.031/26	2.063/52	0.88/22	0.630/16	1.560/40	1.002/25	1.328/34	3/8"-16	
P563178	LIC-20-20W-30	1.25/32	1.25/32	2.875/73	3.125/79	1.188/30	2.313/59	0.94/24	0.690/18	1.750/44	1.252/32	1.672/42	7/16"-14	
P563179	LIC-24-24W-30	1.50/38	1.50/38	3.250/83	3.688/94	1.406/36	2.750/70	1.19/30	0.750/19	2.115/54	1.502/38	1.922/49	1/2"-13	
P563180	LIC-32-32W-30	2.00/51	2.00/51	3.813/97	4.000/102	1.688/43	3.063/78	1.38/35	0.875/22	2.490/63	2.002/51	2.406/61	1/2"-13	
P563181	LIC-40-40W-30	2.50/64	2.50/64	4.281/109	4.500/114	2.000/51	3.500/89	1.75/44	1.000/25	2.995/76	2.502/64	2.906/74	1/2"-13	



## Reservoir Accessories

- Suction strainers protect pumps from damage
- Diffusers for effectively reducing aeration, foaming, turbulence and noise caused by return lines
- Sight and level gauges available, including standard length, screw-in styles in plastic and steel for use in a variety of applications
- Plugs, caps and vents for small power units and gearboxes
- Filler breathers and caps in chrome, zinc epoxy-coated weatherproof finishes and corrosion-resistance technopolymer – lockable, dipsticks and side-mount versions available



## T.R.A.P.™ Breather Technology (Thermally Reactive Advanced Protection)

T.R.A.P. breathers provide fast-acting protection against airborne moisture and particulate contamination. It stops solid particulate down to 3 µm at 97% efficiency as well as prevents moisture from entering the reservoir. Water-holding capacity is regenerated with every oil return phase for long service life. Its self-regenerating capability enables extended life.



# Suction Strainers

## Specifications

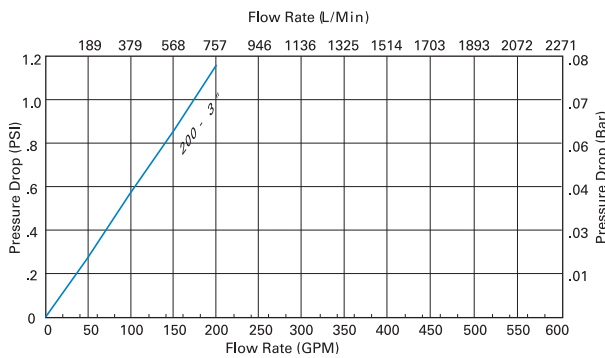
- Flow Range: 0-300 gpm / 0-1,140 lpm
- Outlet Port Size: 3/8" NPT to 4" NPT
- Stainless Steel Mesh
- Steel or nylon fittings
- Operating temperatures:  
Steel fitting to 250°F / 121°C  
Nylon fitting to 210°F / 100°C
- Relief valve available



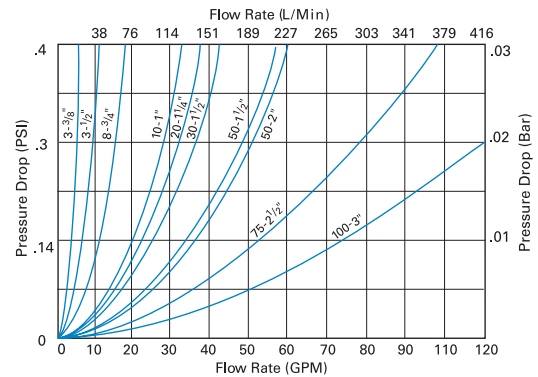
## Features

Donaldson suction strainers are zinc-plated, with stainless steel mesh screens and rugged steel core centers epoxy bonded to heavy gauge connector and end caps. Suction strainers filter petroleum-based hydraulic fluids, phosphate esters, water glycols, lubricating oils, coolants, and fuels in fluid reservoirs, sumps and similar applications. They are cleanable and reusable. Clean by swishing in non-caustic solvent, then blow dry from inner diameter to outer diameter with compressed air.

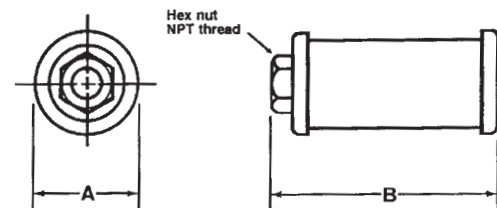
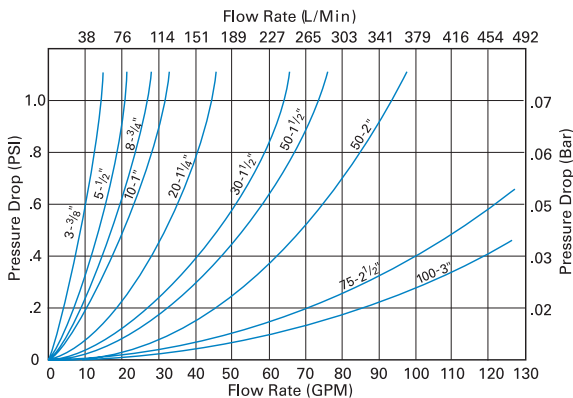
**SEC (Steel Fitting) 200-300**



**PEC (Nylon Fitting) 3-100**



**SEH/SEC (Steel Fitting) 3-100**



Note:  
PEC and SEH model strainers have hex nut style outlet fittings. SEC model strainers have pipe coupling style (round) outlet fittings. All styles have NPT threads inside. Mount a minimum of 4" from the reservoir bottom.



### Suction Strainer Choices

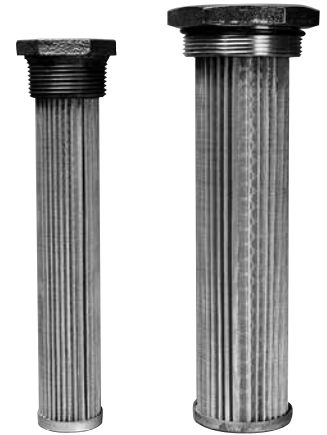
	Part No.	Description	Relief Valve Setting	Outlet Pipe Size	Wire Mesh Size	Dim. A (in/mm)	Dim. B (in/mm)	Screen Area (in <sup>2</sup> /cm <sup>2</sup> )	Max. Flow (gpm/lpm)
NYLON FITTING	P562235	PEC-3-3/8-100	n/a	3/8" NPT	100	1.9/48	2.7/69	20/129	3/11
	P562240	PEC-5-1/2-100	n/a	1/2" NPT	100	1.9/48	4.3/109	25/161	5/19
	P562245	PEC-8-3/4-100	n/a	3/4" NPT	100	2.7/69	4.3/109	40/258	8/30
	P562246	PEC-8-3/4-100-RV3	3 psid / 0.2 bar	3/4" NPT	100	2.7/69	4.3/109	40/258	8/30
	P562244	PEC-8-1-100	n/a	1" NPT	100	2.7/69	4.3/109	40/258	8/30
	P562226	PEC-10-1-100	n/a	1" NPT	100	2.7/69	5.6/142	70/452	10/38
	P562227	PEC-10-1-100-RV3	3 psid / 0.2 bar	1" NPT	100	2.7/69	5.6/142	70/452	10/38
	P562228	PEC-20-1.1/4-100	n/a	1-1/4" NPT	100	3.4/86	5.6/142	128/826	20/75
	P562229	PEC-20-1.1/4-100-RV3	3 psid / 0.2 bar	1-1/4" NPT	100	3.4/86	5.6/142	128/826	20/75
	P562231	PEC-20-1.1/4-200	n/a	1-1/4" NPT	200	3.4/86	5.6/142	128/826	20/75
	P562232	PEC-30-1.1/2-100	n/a	1-1/2" NPT	100	3.4/86	5.6/142	128/826	30/113
	P562233	PEC-30-1.1/2-100-RV3	3 psid / 0.2 bar	1-1/2" NPT	100	3.4/86	5.6/142	128/826	30/113
	P562236	PEC-50-1.1/2-100	n/a	1-1/2" NPT	100	4/102	8/203	200/1290	50/188
	P562237	PEC-50-1.1/2-100-RV3	3 psid / 0.2 bar	1-1/2" NPT	100	4/102	8/203	200/1290	50/188
	P562238	PEC-50-2-100	n/a	2" NPT	100	4/102	10.4/264	200/1290	50/188
	P562239	PEC-50-2-100-RV3	3 psid / 0.2 bar	2" NPT	100	4/102	10.4/264	200/1290	50/188
	P562242	PEC-75-2.1/2-100	n/a	2-1/2" NPT	100	5.2/132	8.5/216	316/2039	75/282
	P562243	PEC-75-2.1/2-100-RV3	3 psid / 0.2 bar	2-1/2" NPT	100	5.2/132	8.5/216	316/2039	75/282
	P562223	PEC-100-3-100	n/a	3" NPT	100	5.2/132	11.5/292	379/2445	100/376
	P562224	PEC-100-3-100-RV3	3 psid / 0.2 bar	3" NPT	100	5.2/132	11.5/292	379/2445	100/376
P562225	PEC-100-3-100-SST	n/a	3" NPT	100	5.2/132	11.5/292	379/2445	100/376	
STEEL FITTING	P562221	SEH-3-3/8-100	n/a	3/8" NPT	100	1.9/48	2.5/64	34/219	3/11
	P169012	SEH-5-1/2-100	n/a	1/2" NPT	100	2.63/67	3.1/79	62/400	5/19
	P563305	SEH-5-1/2-100-RV3	3 psid / 0.2 bar	1/2" NPT	100	2.7/69	3.1/79	62/400	5/19
	P169013	SEH-8-3/4-100	n/a	3/4" NPT	100	2.63/67	3.55/90	68/439	8/30
	P173910	SEH-8-3/4-100-RV3	3 psid / 0.2 bar	3/4" NPT	100	2.63/67	3.55/90	68/439	8/30
	P169014	SEH-10-1-100	n/a	1" NPT	100	2.63/67	5.35/136	110/710	10/38
	P173911	SEH-10-1-100-RV3	3 psid / 0.2 bar	1" NPT	100	2.63/67	5.35/136	110/710	10/38
	P169015	SEH-20-1.1/4-100	n/a	1-1/4" NPT	100	3.38/86	6.85/174	162/1045	20/75
	P173912	SEH-20-1.1/4-100-RV3	3 psid / 0.2 bar	1-1/4" NPT	100	3.38/86	6.85/174	162/1045	20/75
	P169016	SEH-30-1.1/2-100	n/a	1-1/2" NPT	100	3.38/86	8.01/203	225/1452	30/113
	P173913	SEH-30-1.1/2-100-RV3	3 psid/0.2 bar	1-1/2" NPT	100	3.38/86	8.01/203	225/1452	30/113
	P169017	SEH-50-1.1/2-100	n/a	1-1/2" NPT	100	3.94/100	9.8/249	340/2194	50/188
	P173914	SEH-50-1.1/2-100-RV3	3 psid / 0.2 bar	1-1/2" NPT	100	3.94/100	9.8/249	340/2194	50/188
	P562222	SEH-50-1.1/2-60	n/a	1-1/2" NPT	60	3.94/100	9.8/249	340/2194	50/188
	P169018	SEH-50-2-100	n/a	2" NPT	100	3.94/100	9.8/249	340/2194	50/188
	P173915	SEH-50-2-100-RV3	3 psid / 0.2 bar	2" NPT	100	3.94/100	9.8/249	340/2194	50/188
	P169019	SEC-75-2.1/2-100	n/a	2-1/2" NPT	100	5.12/130	10.1/257	400/2581	75/282
	P173916	SEC-75-2.1/2-100-RV3	3 psid / 0.2 bar	2-1/2" NPT	100	5.12/130	10.1/257	400/2581	75/282
	P169020	SEC-100-3-100	n/a	3" NPT	100	5.12/130	11.78/299	500/3226	100/376
	P173917	SEC-100-3-100-RV3	3 psid / 0.2 bar	3" NPT	100	5.12/130	11.78/299	500/3226	100/376
	P562211	SEC-100-3-60	n/a	3" NPT	60	5.12/130	11.78/299	500/3226	100/376
	P562212	SEC-100-3-60-RV3	3 psid / 0.2 bar	3" NPT	60	5.12/130	11.78/299	500/3226	100/376
	P562213	SEC-200-3-100	n/a	3" NPT	100	8.1/206	11.3/287	965/6226	200/752
	P562214	SEC-300-4-100	n/a	4" NPT	100	8.1/206	15/381	1370/8839	300/1128
	P171861	FIOA 20	n/a	G3/8"	90 micron	2.05/52	3.03/77	29/184	2.7/10
	P171869	FIOA 50	n/a	G3/4"	90 micron	2.95/75	3.74/95	54/348	6.6/25
	P171877	FIOA 90	n/a	G1"	90 micron	2.95/75	5.55/141	86/554	12.0/45
	P171885	FIOA 130	n/a	G1 1/4"	90 micron	3.74/95	7.24/184		17.3/65



## Tank Mounted Strainers

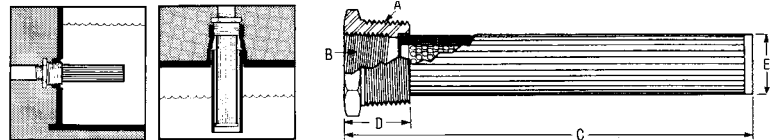
### Specifications

- Flow Range: 0-100 gpm / 0-380 lpm
- Outlet Port Size: 3/8" NPT to 1 1/4" NPT or SAE-8 to SAE-20
- 140 Micron Stainless Steel Mesh
- Steel SAE bushing
- Cast iron NPT bushing
- Operating temperatures to 250°F / 121°C
- Relief valve available



### Features

Tank mounted strainers offer easy installation. Access to reservoir interior is not needed. You can mount these units through a sidewall or through the tank top and into a standpipe.



Part No.	Description	Relief Valve Setting	Wire Mesh Size	Dimensions (in/mm)					Screen Area (in <sup>2</sup> /cm <sup>2</sup> )	Max. Flow (gpm/lpm)
				A	B	C	D	E		
P562270	TM-3-100	n/a	100	3/4" NPT	1/2" NPT	4/102	0.97/25	0.87/22	29/187	3/11
P562274	TM-5-100	n/a	100	1" NPT	1/2" NPT	5.34/136	1.06/27	1.17/30	35/226	5/19
P562275	TM-5-100-RV5	5 psid/0.35 bar	100	1" NPT	1/2" NPT	5.34/136	1.06/27	1.17/30	35/226	5/19
P562256	TM-10-100	n/a	100	1-1/4" NPT	3/4" NPT	8.17/208	1.2/30	1.36/35	64/413	10/38
P562257	TM-10-100-RV5	5 psid/0.35 bar	100	1-1/4" NPT	3/4" NPT	8.17/208	1.2/30	1.36/35	64/413	10/38
P562259	TM-10-60-RV5	5 psid/0.35 bar	60	1-1/4" NPT	3/4" NPT	8.17/208	1.2/30	1.36/35	64/413	10/38
P562260	TM-15-100	n/a	100	1-1/2" NPT	1" NPT	8.2/208	1.22/31	1.66/42	86/555	15/56
P562264	TM-15-100-RV5	5 psid/0.35 bar	100	1-1/2" NPT	1" NPT	8.2/208	1.22/31	1.66/42	86/555	15/56
P562266	TM-25-100	n/a	100	2" NPT	1-1/4" NPT	9.04/230	1.35/34	2.12/54	125/806	25/94
P562267	TM-25-100-RV5	5 psid/0.35 bar	100	2" NPT	1-1/4" NPT	9.04/230	1.35/34	2.12/54	125/806	25/94
P562271	TM-50-100	n/a	100	3" NPT	2" NPT	9.7/246	1.7/43	3/76	260/1677	50/188
P562272	TM-50-100-RV3	3 psid/0.2 bar	100	3" NPT	2" NPT	9.7/246	1.7/43	3/76	260/1677	50/188
P562273	TM-50-100-RV5	5 psid/0.35 bar	100	3" NPT	2" NPT	9.7/246	1.7/43	3/76	260/1677	50/188
P563306	TM-100-100	n/a	100	4" NPT	3" NPT	11.3/287	1.8/46	4/102	315/2032	100/376
P562255	TM-100-100-RV5	5 psid/0.35 bar	100	4" NPT	3" NPT	11.3/287	1.8/46	4/102	315/2032	100/376
P562253	STM-5-100	n/a	100	1-5/16" -- 12 UN	3/4" -- 16 UN	5.34/136	1.06/27	1.17/30	35/226	5/19
P562254	STM-5-100-RV5	5 psid/0.35 bar	100	1-5/16" -- 12 UN	3/4" -- 16 UN	5.34/136	1.06/27	1.17/30	35/226	5/19
P562247	STM-10-100	n/a	100	1-5/8" -- 12 UN	1-1/16" -- 12 UN	8.17/208	1.2/30	1.36/35	64/413	10/38
P562248	STM-10-100-RV5	5 psid/0.35 bar	100	1-5/8" -- 12 UN	1-1/16" -- 12 UN	8.17/208	1.2/30	1.36/35	64/413	10/38
P562249	STM-15-100	n/a	100	1-7/8" -- 12 UN	1-5/16" -- 12 UN	8.2/208	1.22/31	1.66/42	86/555	15/56
P562250	STM-15-100-RV5	5 psid/0.35 bar	100	1-7/8" -- 12 UN	1-5/16" -- 12 UN	8.2/208	1.22/31	1.66/42	86/555	15/56
P562251	STM-25-100	n/a	100	2-1/2" -- 12 UN	1-5/8" -- 12 UN	9.04/230	1.35/34	2.12/54	125/806	25/94
P562252	STM-25-100-RV5	5 psid/0.35 bar	100	2-1/2" -- 12 UN	1-5/8" -- 12 UN	9.04/230	1.35/34	2.12/54	125/806	25/94





## Diffusers

### Specifications

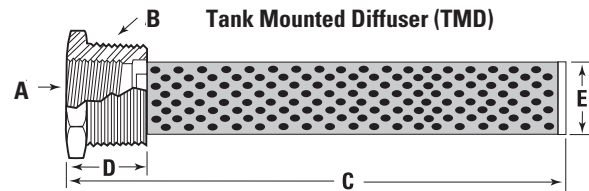
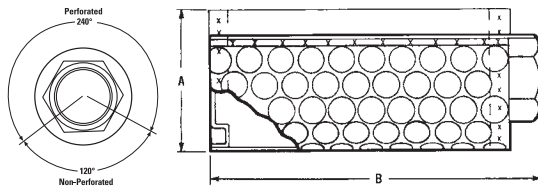
- Perforated Steel
- Cast iron bushings (TMD-tank mount)
- Zinc-plated steel (DFD-return line)
- Operating temperatures to 250°F / 121°C
- Flow Range: 0-450 gpm / 0-1,710 lpm



### Features

Diffusers are highly effective in reducing aeration, foaming, turbulence and noise caused by return lines. Reservoir baffles can usually be eliminated, provided that the holes in the tube are positioned facing away from the pump suction inlet and below the reservoir oil level. Can be vertically or horizontally mounted with discharge side directed away from suction and preferably toward a tank wall or bottom.

#### Line Mounted Diffuser (DFD)



### TMD - Tank Mount Diffusers

Part No.	Description	Rated Flow gpm/lpm	Dimension A Pipe Size	Dimension B Pipe Size	Dimensions (in/mm)		
					C	D	E
P562281	TMD-5	5/19	1/2" NPT	1" NPT	5.34/135	1.06/28	1.17/29
P562282	TMD-10	10/38	3/4" NPT	1-1/4" NPT	8.17/207	1.2/30	1.36/34
P562283	TMD-15	15/59	1" NPT	1-1/2" NPT	8.2/208	1.22/31	1.66/42
P562284	TMD-25	25/95	1-1/4" NPT	2" NPT	9.04/229	1.35/34	2.12/53
P562285	TMD-50	50/189	2" NPT	3" NPT	9.7/246	1.7/43	3.0/76

### DFD - Line Mount Diffusers

Part No.	Description	Rated Flow gpm/lpm	Pipe Size	Dimension A (in/mm)	Dimension B (in/mm)
P562287	DFD-30	33/125	3/4" NPT	3.4/86.3	3.0/76
P562288	DFD-60	53/201	1" NPT	3.4/86.3	4.2/107
P562289	DFD-90	93/342	1-1/4" NPT	3.4/86.3	6.5/165
P562290	DFD-120	126/479	1-1/2" NPT	4.5/114.3	6.6/168
P562291	DFD-200	209/794	2" NPT	4.5/114.3	10.3/262
P562292	DFD-250	300/1140	2-1/2" NPT	5.25/133.4	13.0/330
P562293	DFD-300	450/1748	3" NPT	5.25/133.4	15.5/394



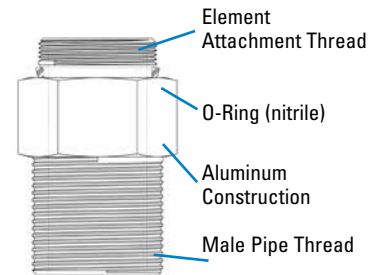
## Breathers

Breathers are available in a variety of styles, materials and sizes. Breathers provide clean airflow into reservoirs and other storage containers where there is an exchange of air during changing fluid levels. In high moisture sites or applications with large changes in machine environments, breather caps with pressure relief and vacuum breakers limit air exchange and provide a positive suction head at the pump inlet.



### Threaded Adapters for Creating Tank Breathers

Part No.	LHA Part No.	Male Pipe Thread	Element Attachment Thread	Length (in/mm)	Material
P173544	GBF-15	3/4" NPT	1"-12 UN	2.50/64	Aluminum
P173545	GBF-50/60	1-1/4" NPT	1-1/2"-16 UN	3.00/76	Aluminum
P562627	GBF-10	3/4" NPT	1-1/8"-16 UN	1.65/42	Steel
P562628	ABGBA	Bayonet Fitting	1-1/8"-16 UN	1.36/35	Technopolymer
P570353	NA	Bayonet Fitting	1-1/2"-16 UN	2.74/70	Technopolymer



### Direct Replacements for Schroeder Breathers

A replacement for Schroeder part ABF-3/10 is available as a breather+adapter set. For other Schroeder replacements and as an alternative on the ABF-3/10, you may purchase adapters and spin-on filters as separate items.

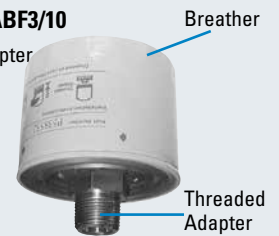
Schroeder Part No.	Donaldson Spin-On Breather + Adapter Set	Adapter	Spin-On Breather
ABF-3/10	P564425	P562627	P564424
ABF-3/10-F	NA	P562628	P564424
MBF-3-M-P20	NA	P173545	P550386
MBF-10-M-P20	NA	P173545	P550388

#### Replacement for Schroeder ABF3/10

P564425 Spin-On Breather & Adapter  
P564424 Spin-On Breather only

#### Specifications:

Diameter: 3.69" / 93.7mm  
Height: 3.6" / 91mm  
Threads on adaptor: 3/4"-14 NPT



### Spin-On Breather Filters

Part No.	Use with Adapter	Micron Rating	Length (in/mm)	Diameter (in/mm)	Flow (scfm/gpm/lpm)
P564424	P562627 or P562628	10 micron nom.	3.6/91	3.7/94	15/112/421
P556005	P562627 or P562628	10 micron nom.	5.4/137	3.7/94	23/172/647
P551551	P173544	10 micron nom.	5.4/137	3.7/94	23/172/647
P560693	P173544	10 micron abs.	5.4/137	3.7/94	23/172/647
P564357	P173544	5 micron abs.	7.9/200	3.7/94	28/216/812
P179089	P173544	10 micron abs.	7.9/200	3.7/94	28/216/812
P550386	P173545	3 micron nom.	6.7/170	5.0/127	35/262/985
P550250	P173545	3 micron nom.	10.7/272	5.0/127	42/314/1181
P167162	P173545	5 micron abs.	6.7/170	5.0/127	59/440/1654
P165762	P173545	5 micron abs.	10.7/272	5.0/127	64/479/1801
P550388	P173545	10 micron nom.	6.7/170	5.0/127	59/440/1654
P550251	P173545	10 micron nom.	10.7/272	5.0/127	64/479/1801
DBH5875	P173545	10 micron $\alpha_{c(1)} = 1000$	6.7/170	5.0/127	59/440/1654
P165875	P173545	10 micron abs.	6.7/170	5.0/127	59/440/1654
P165876	P173545	10 micron abs.	10.7/272	5.0/127	64/479/1801



### T.R.A.P.™ Breather

#### Flow Rates to:

45 cfm / 1270 lpm

#### Particulate Removal to:

3 µm

#### Moisture Removal:

Reversible Adsorption

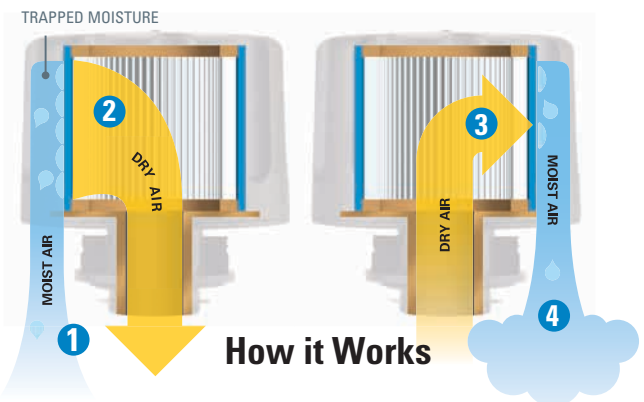


### Features

Donaldson breathers with Thermally Reactive Advanced Protection (T.R.A.P.™) provide fast-acting protection for hydraulic reservoirs against airborne moisture and particulate contamination. Donaldson T.R.A.P. technology strip moisture vapor from intake air and expel the moisture back to the atmosphere. Moisture is prevented from entering and is actually “pumped” out with each flow cycle. T.R.A.P. media regenerates its water-holding capacity, which leads to longer service life – 3 to 4 times the life of conventional desiccant breathers.

- **Electronic Indicator**  
Actuated by pressure differential, flashes red to indicate changeout is needed. Indicator setting, 1 psid/6.9 kPa. Indicator power source: 3V lithium battery CR2032.
- **Mechanical Indicator Kits**  
Install kit between reservoir and T.R.A.P. breather. Lock-up style indicator with manual reset. Highly visible, bright red band shows when restriction limit is reached. Indicator setting, 20" H2O/5.0 kPa.
- **Oil Splash and Mist Containment**  
Keeps oil inside reservoir.
- **Easy To Install**  
Lightweight—simply hand tighten.
- **Rugged Design**  
Effective to -40°F (-40°C). Robust housing protects media. Because it withstands high vibration, T.R.A.P. is suitable for both stationary and mobile applications.

<b>Operating Temperatures</b>
<ul style="list-style-type: none"> <li>• -40°F to 200°F / -40°C to 93°C</li> <li>• Intermittent operation to 250°F / 121°C</li> </ul>
<b>Particulate Removal Efficiency</b>
<ul style="list-style-type: none"> <li>• 3 µm at 97%</li> </ul>
<b>Connection Sizes</b>
<ul style="list-style-type: none"> <li>• 1" and 3/4" NPT, 3/4" BSP Bayonet</li> <li>• 1/4" and 3/8" NPT, 9/16"-18UN</li> </ul>
<b>Flow Rates</b>
<ul style="list-style-type: none"> <li>• 45 cfm / 1274 lpm</li> <li>• 25 cfm / 708 lpm</li> <li>• 3 cfm / 85 lpm</li> </ul>
<b>Indicator Setpoint</b>
<ul style="list-style-type: none"> <li>• 1 psid / 6.9 kPa</li> </ul>



#### INTAKE CYCLE (INHALATION)

- 1 The circuit “breathes in” air containing moisture vapor.
- 2 The T.R.A.P. breather strips moisture and particulate from the incoming air, allowing only clean, dry air to enter the circuit.

#### OUTFLOW CYCLE (EXHALATION)

- 3 During the “exhalation” cycle, the T.R.A.P. breather allows unrestricted airflow outward.
- 4 The outflow of dry air picks up the moisture collected by the T.R.A.P. breather during intake, and “blows it back out” – fully regenerating the breather’s water-holding capacity.



## Self-Regenerating T.R.A.P. Breather Choices

- Refer to the FIK section for additional T.R.A.P. breather options specific to those assembly models only.

### T.R.A.P. Breather Sizing

Trap Model	Hydraulic System (gal/l)	In-plant Lube (gal/l)	Outside (gal/l)
Standard	100/375	500/1875	250/938
Metal	40/150	200/750	100/375
Mini	4/15	20/75	10/38


**Standard**

Part No.	Connection	Maximum Flow (cfm/lpm)	Indicator	Moisture Removal
<b>Standard ABS Plastic Breathers with Oil/Splash Containment</b>				
P566151*	1" NPT	45/1274	opt mechanical	Yes indicator kit
P564669	1" NPT	45/1274	electronic**	Yes
P566156	Bayonet	45/1274	none	Yes
P565616	Bayonet	45/1274	electronic**	Yes
<b>Medium Epoxy Coated Steel Breathers with Oil/Splash Containment</b>				
P565857*	3/4" NPT	25/708	opt mechanical	Yes indicator kit
P565858	Bayonet	25/708	none	Yes
P566037	3/4" BSP	25/708	none	Yes
P575077	Bayonet with Lock Tab	25/708	none	Yes


**Medium Metal**

**Mini**

\*\*LED indicators not rated for fuel.

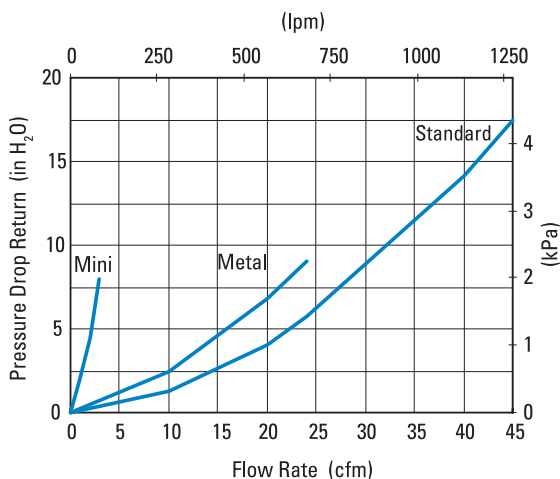
Part No.	Connection	Maximum Flow (cfm/lpm)	Indicator	Moisture Removal
<b>Mini Nylon Breathers with Oil/Splash Containment</b>				
P566174	9/16"-18 UNF	3/85	none	Yes
P567390	3/8" NPT	3/85	none	Yes
P567392	1/4" NPT	3/85	none	Yes

Part No.	Connection	Maximum Flow (cfm/lpm)	Indicator	Moisture Removal
<b>Mini Particulate Only Breathers with Oil Splash Containment</b>				
P567932	3/8" NPT	3/85	none	No
P567933	1/4" NPT	3/85	none	No

Part No.	Connection	Indicator
*Mechanical Indicator Kit - For use with P566151 & P565857 (*requires customer-supplied 3/4"x1" NPT reducer bushing)		
P566168	1" NPT coupling	20" H2O/5 kPa trip point

Part No.	Description	Connection
<b>Bayonet Style Filler Basket - For use with bayonet style T.R.A.P. Breathers</b>		
P566321	3" Stainless steel basket	6-bolt 2.81/71.4 circle
P575080	6" Stainless steel basket with Lock Tab	6-bolt 2.81/71.4 circle
P563874	4" Nylon Basket	6-bolt 2.81/71.4 circle
P563453	6" Stainless steel basket	6-bolt 2.81/71.4 circle

### T.R.A.P. Performance Data



#### Activation Instructions for

#### T.R.A.P. Breathers with Electronic Indicator

The T.R.A.P. breather has a service indicator that will indicate when it is time to replace the T.R.A.P. This indicator should be activated before the T.R.A.P. is put into service. Before the T.R.A.P. is activated, it is in a sleep mode to conserve the battery. The T.R.A.P. can remain in a sleep mode for over 6 months without detriment to the battery. While in sleep mode, the LED light will not flash until it is activated.

#### Activation

- Remove the T.R.A.P. from the box and turn it upside down - with the neck and thread up.
- Using a forefinger, insert into the neck of the T.R.A.P. and press on the plastic screen until the LED light begins to flash. The light will flash three times with a shortflash followed by a long flash and then another short flash.
- Release pressure from the switch immediately after the light begins flashing.

The T.R.A.P. is now activated.

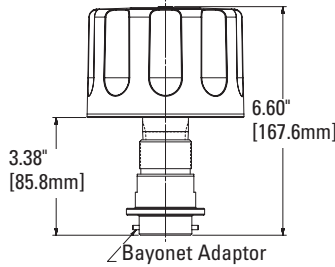
#### Replacement

Replace T.R.A.P. with a new one when the light begins to blink.

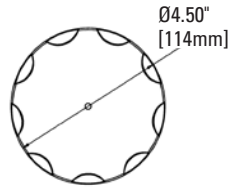


# T.R.A.P.™ Breather Specifications

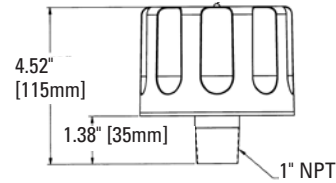
**Standard** **P565616** (electronic indicator) Bayonet connection  
**P566156** (no indicator version) Bayonet connection  
*Bayonet connection*



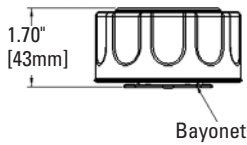
Top View



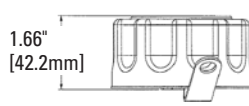
**P564669** (optional mechanical) 1" NPT connection  
**P566151** (no indicator version) 1" NPT connection



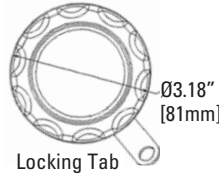
**Metal** **P565858** Bayonet connection  
**P575077** Bayonet connection with Lock Tab



Bayonet

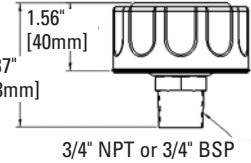
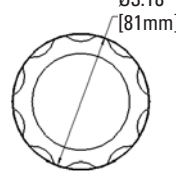


Top View

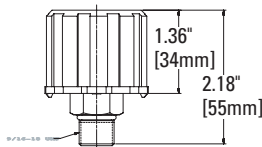


**P565857** (3/4" NPT connection, optional mechanical indicator)

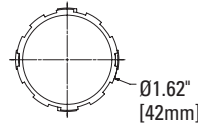
**P566037** (3/4" BSP connection)



**Mini** **P566174** 9/16-18 UNF  
**P567390** 3/8" NPT  
**P567392** 1/4" NPT



Top View



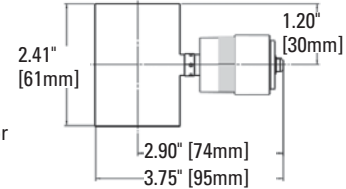
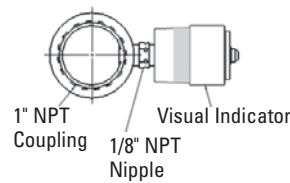
## Mechanical Indicator Kit

**P566168**

Suitable for use with **P566151** and **P565857\***

\*Requires additional 3/4" x 1" reducer bushing (supplied by customer)

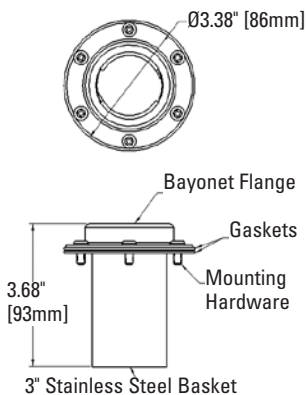
Top View



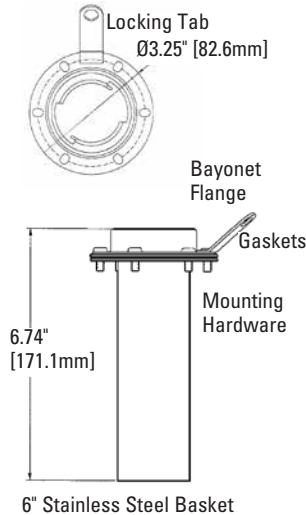
## Bayonet Style Filler Basket/Flange Kits

Use with any bayonet style T.R.A.P. Breather

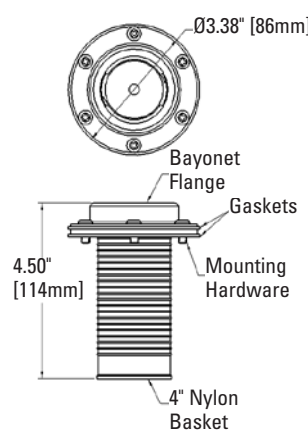
**P566321**



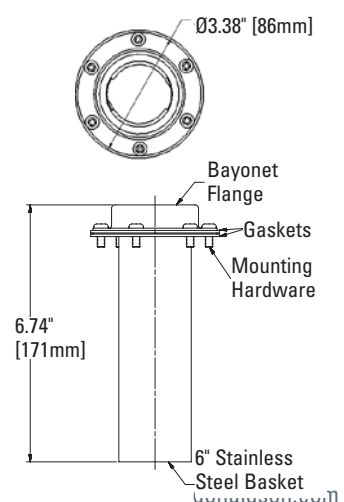
**P575080**



**P563874**



**P563453**





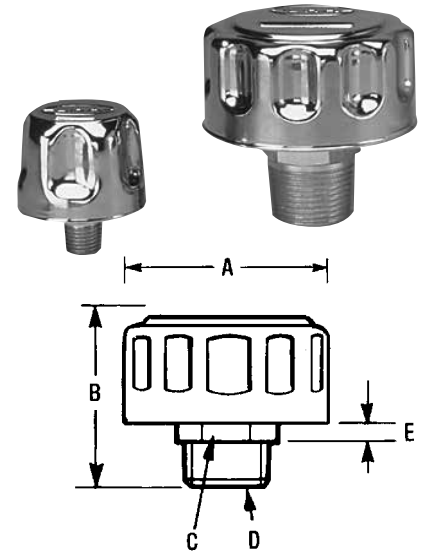
# ABS, MBS Series

## Specifications

- Chrome plated, epoxy coated or zinc plated steel cap
- Airflow to 30 cfm / 850 lpm
- Compatible with petroleum based fluids
- Temperature to 212°F / 100°C
- 1/2", 3/4" and 1" NPT on ABS
- 1/4" and 3/8" NPT on MBS

## Options

- 3, 10 and 40 micron (ABS), 10 and 40 micron (MBS)
- Zinc and epoxy coated weather-proof cap versions



Part No.	Reference	Micron Rating	Airflow Capacity (cfm/lpm)	Dimensions (in/mm)					Finish
				A	B	C	D	E	
P562510	MBS-10-N04	10 µm	10/283	1.85/47	2.0/51	.75/19	1/4" NPT	.2/5	Chrome Plated
P562511	MBS-10-N06	10 µm	10/283	1.85/47	2.0/51	.75/19	3/8" NPT	.2/5	Chrome Plated
P562512	MBS-40-N04	40 µm	10/283	1.85/47	2.0/51	.75/19	1/4" NPT	.2/5	Chrome Plated
P562514	MBS-40-N06	40 µm	10/283	1.85/47	2.0/51	.75/19	3/8" NPT	.2/5	Chrome Plated
P562516	MBS-Z-10-N06	10 µm	10/283	1.85/47	2.0/51	.75/19	3/8" NPT	.2/5	Zinc Plated
P562517	ABS-03-N12	3 µm	30/850	3.15/80	2.8/71	1.18/30	3/4" NPT	.5/13	Chrome Plated
P562518	ABS-10-B12	10 µm	30/850	3.15/80	2.8/71	1.18/30	3/4" BSP	.5/13	Chrome Plated
P562519	ABS-10-N08	10 µm	30/850	3.15/80	2.8/71	1.18/30	1/2" NPT	.5/13	Chrome Plated
P562520	ABS-10-N12	10 µm	30/850	3.15/80	2.8/71	1.18/30	3/4" NPT	.5/13	Chrome Plated
P562521	ABS-10-N16	10 µm	30/850	3.15/80	2.8/71	1.18/30	1" NPT	.5/13	Chrome Plated
P562522	ABS-40-N08	40 µm	30/850	3.15/80	2.8/71	1.18/30	1/2" NPT	.5/13	Chrome Plated
P562523	ABS-40-N12	40 µm	30/850	3.15/80	2.8/71	1.18/30	3/4" NPT	.5/13	Chrome Plated
P562524	ABS-40-N16	40 µm	30/850	3.15/80	2.8/71	1.18/30	1" NPT	.5/13	Chrome Plated
P562525	ABS-W-03-N12	3 µm	30/850	3.15/80	2.8/71	1.18/30	3/4" NPT	.5/13	Epoxy Coated Black
P562526	ABS-W-10-N08	10 µm	30/850	3.15/80	2.8/71	1.18/30	1/2" NPT	.5/13	Epoxy Coated Black
P562527	ABS-W-10-N12	10 µm	30/850	3.15/80	2.8/71	1.18/30	3/4" NPT	.5/13	Epoxy Coated Black
P562528	ABS-W-10-N16	10 µm	30/850	3.15/80	2.8/71	1.18/30	1" NPT	.5/13	Epoxy Coated Black
P563901	ABS-W-40-B12	40 µm	30/850	3.15/80	2.8/71	1.18/30	3/4" BSP	.5/13	Epoxy Coated Black
P562529	ABS-W-40-N12	40 µm	30/850	3.15/80	2.8/71	1.18/30	3/4" NPT	.5/13	Epoxy Coated Black
P562530	ABS-W-40-N16	40 µm	30/850	3.15/80	2.8/71	1.18/30	1" NPT	.5/13	Epoxy Coated Black
P562532	ABS-Z-40-N08	40 µm	30/850	3.15/80	2.8/71	1.18/30	1/2" NPT	.5/13	Zinc Plated
P562533	ABS-Z-40-N12	40 µm	30/850	3.15/80	2.8/71	1.18/30	3/4" NPT	.5/13	Zinc Plated





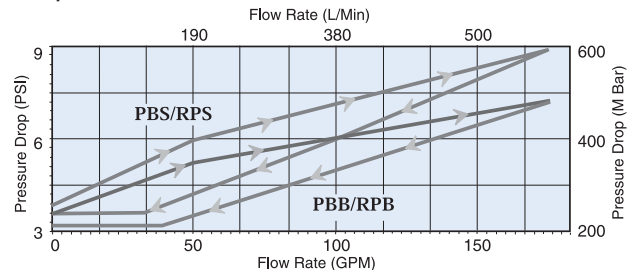
# PBS Series Pressure Filler Breather Cap - Screw In Style

## Specifications

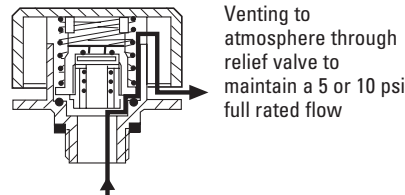
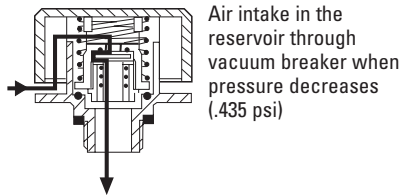
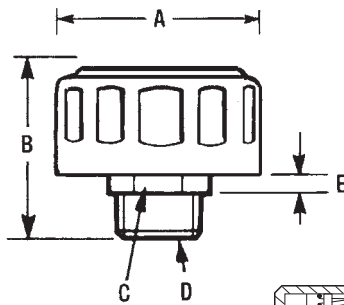
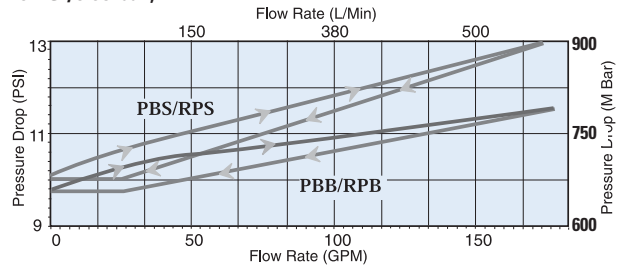
- Chrome plated or epoxy coated steel cap
- Air intake valve opens at 0.435 psi/3 kPa
- Compatible with petroleum based fluids
- Temperature range:  
-22°F to +240°F / -30°C to 115°C
- Nitrile gaskets standard
- 10 and 40 micron available
- Relief valve settings at 5 psi / 0.34 bar or 10 psi / 0.69 bar full rate flow



5 PSI/0.34 bar



10 PSI/0.69 bar



Part No.	Description	Micron Rating	Airflow Capacity (cfm/lpm)	Relief Valve Setting (psi/bar)	Dimensions (in/mm)					Finish
					A	B	C	D	E	
P563362	PBS-10-10-N12	10 µm	30/850	10/0.69	3.15 / 80	2.8 / 71	1.18 / 30	3/4" NPT	.5 / 13	Chrome Plated
P563363	PBS-10-10-N16	10 µm	30/850	10/0.69	3.15 / 80	2.8 / 71	1.18 / 30	1" NPT	.5 / 13	Chrome Plated
P563365	PBS-10-5-N12	10 µm	30/850	5/0.34	3.15 / 80	2.8 / 71	1.18 / 30	3/4" NPT	.5 / 13	Chrome Plated
P563366	PBS-10-5-N16	10 µm	30/850	5/0.34	3.15 / 80	2.8 / 71	1.18 / 30	1" NPT	.5 / 13	Chrome Plated
P563367	PBS-40-10-N12	40 µm	30/850	10/0.69	3.15 / 80	2.8 / 71	1.18 / 30	3/4" NPT	.5 / 13	Chrome Plated
P563368	PBS-40-5-N12	40 µm	30/850	5/0.34	3.15 / 80	2.8 / 71	1.18 / 30	3/4" NPT	.5 / 13	Chrome Plated
P563369	PBS-40-5-N16	40 µm	30/850	5/0.34	3.15 / 80	2.8 / 71	1.18 / 30	1" NPT	.5 / 13	Chrome Plated
P563370	PBS-W-10-5-N12	10 µm	30/850	5/0.34	3.15 / 80	2.8 / 71	1.18 / 30	3/4" NPT	.5 / 13	Epoxy Coated Black
P563371	PBS-W-40-10-N12	40 µm	30/850	10/0.69	3.15 / 80	2.8 / 71	1.18 / 30	3/4" NPT	.5 / 13	Epoxy Coated Black
P563372	PBS-W-40-5-N12	40 µm	30/850	5/0.34	3.15 / 80	2.8 / 71	1.18 / 30	3/4" NPT	.5 / 13	Epoxy Coated Black





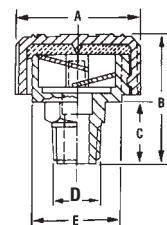
## Filler Breather Caps

### Specifications

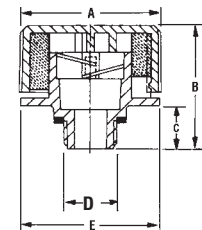
- High impact-resistant technopolymer construction
- Cap diameters 1.22" / 31mm, 1.65" / 42mm, 2.24" / 57mm and 2.75" / 70mm
- Compatible with petroleum and water based fluids
- Temperature range -22°F to +240°F / -30°C to +115°C
- Displacements to 250 gpm / 9461 lpm without baffle
- Displacements to 144 gpm / 547 lpm with anti-splash baffle



CPS / DPS / LPS



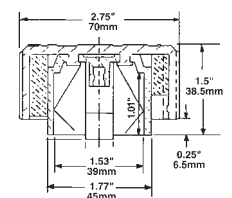
BPS / RPS



Part No.	Description	Micron Rating	Airflow Capacity (cfm/lpm)	Relief Valve Setting (psi/bar)	Dimensions (in/mm)				
					A	B	C	D	E
P562494	DPS-40-N04	40 µm	4.9/139	n/a	1.65/42	1.54/52	.67/18	1/4" NPT	1.2/30
P562495	DPS-40-N04-A	40 µm	2.1/59	n/a	1.65/42	2.05/52	.71/18	1/4" NPT	1.2/30
P563614	DPS-40-N06	40 µm	11.7/331	n/a	1.65/42	2.05/52	.71/18	3/8" NPT	1.2/30
P562497	DPS-40-N06-A	40 µm	5/142	n/a	1.65/42	2.05/52	.71/18	3/8" NPT	1.2/30
P562501	DPS-40-N08	40 µm	11.7/331	n/a	1.65/42	2.05/52	.71/18	1/2" NPT	1.2/30
P562502	DPS-40-N12	40 µm	12.5/354	n/a	1.65/42	2.05/52	.71/18	3/4" NPT	1.2/30
P562503	DPS-40-N12-A	40 µm	5.4/153	n/a	1.65/42	2.05/52	.71/18	3/4" NPT	1.2/30
P562483	CPS-40-N12	40 µm	27/765	n/a	2.24/57	1.85/47	.87/22	3/4" NPT	1.53/39
P562484	CPS-40-N12-A	40 µm	13.5/382	n/a	2.24/57	1.85/47	.87/22	3/4" NPT	1.53/39
P562480	BPS-10-N12-A	10 µm	19.3/547	n/a	2.75/70	2.48/63	.83/21	3/4" NPT	2.68/68
P562481	BPS-40-N12	40 µm	33.4/946	n/a	2.75/70	2.48/63	.83/21	3/4" NPT	2.68/68
P562482	BPS-40-N12-A	40 µm	19.3/547	n/a	2.75/70	2.48/63	.83/21	3/4" NPT	2.68/68
P562492	RPS-40-5-N12	40 µm	30/850	5/0.34	2.75/70	2.48/63	.83/21	3/4" NPT	2.68/68

\* -A = anti-splash

Part No.	Description	Micron Rating	Airflow Capacity (cfm/lpm)	Dimensions (in/mm)				Comment
				A	B	C	D	
P562476	ABO-10	10 µm	30/850	2.75/70	1.5/39	.25/7	1.77/45	Fits over 1.50" OD tube
P562477	ABO-40	40 µm	30/850	2.75/70	1.5/39	.25/7	1.77/45	Fits over 1.50" OD tube

**ABO**




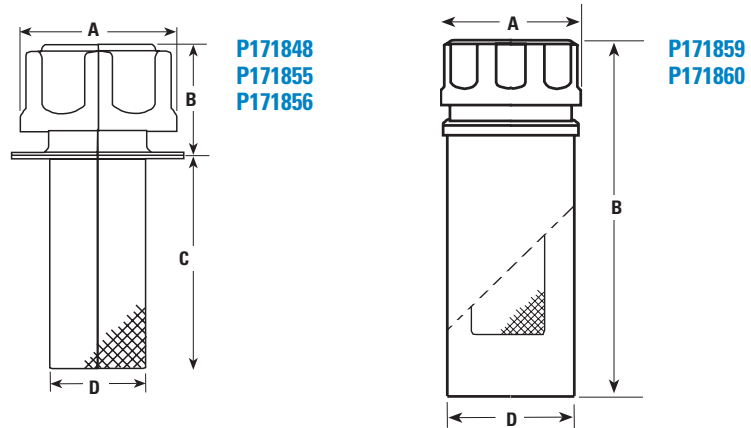
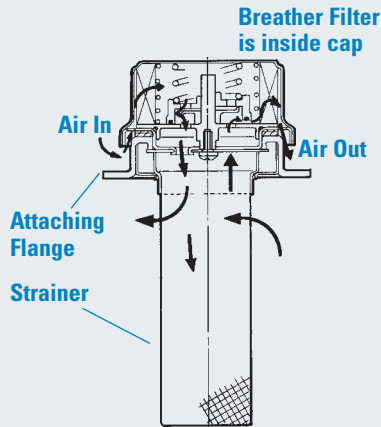
### Filler Breather Assemblies

#### Features

- Removable 500 µm mesh strainer. (Except model P171848, which has a non-removable strainer.)
- 10 µm air breather/filter.
- Models P171855 & P171848 include drilled flanges with attaching screws.

#### How it Works

As fluid levels rise and fall inside the reservoir, air flows in and out through the strainer and breather as shown below. The breather filter inside the cap removes contaminants as small as 10 µm from the air to keep airborne contaminant from entering the fluid. The strainer removes large particles from fluid as it is added to the reservoir.



#### Filler Breather Specifications

Part No.	FLANGE SPECIFICATIONS				Flow (gpm/lpm)	FILLER BREATHER SPECIFICATIONS			
	Outer Dia. (in/mm)	No. of Holes	Hole Dia. (in/mm)	Bolt Circle		A	B	C	D
						Dimensions (in/mm)			
P171848	2.01/51	3	.22/5.5	1.61/41	70/270	1.81/45	1.38/35	2.48/63	1.1/28
P171855	3.31/84	6	.22/5.5	2.88/73	124/470	2.76/70	1.81/46	3.94/100	1.5/38
P171856	3.31/84	n/a	n/a		124/470	2.76/70	1.81/46	3.94/100	1.15/38
P171859		n/a - weldable			124/470	2.76/70	7.09/180	2.50/64	
P171860 *		n/a - weldable			124/470	2.76/70	7.09/180	2.50/64	

\* For pressurized reservoirs at 5.8 psi/0.4 bar relief pressure.

#### Filler Cap Only (Replacement)

- P173292 --- fits P171855, P171856, P171859
- P173364 for pressurized reservoir --- fits P171860

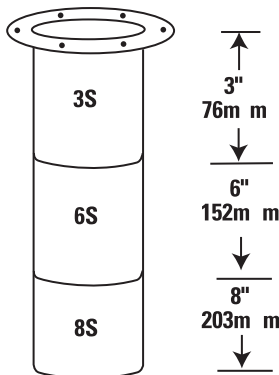
## ABB Series Filler Breathers - Bayonet Style

### Specifications

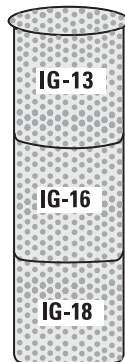
- Chrome plated, epoxy coated or zinc plated steel caps
- Airflow to 30 cfm / 850 lpm
- Compatible with petroleum based fluids
- 30 mesh technopolymer basket
- Self tapping screws for flange mount
- Cork gaskets
- 3, 10, or 40 micron



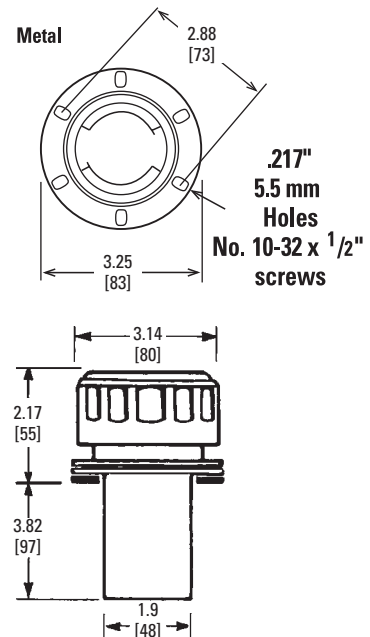
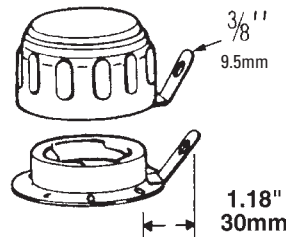
#### 30 MESH STAINLESS STEEL BASKETS



#### INNER GUARDS



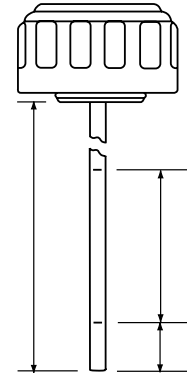
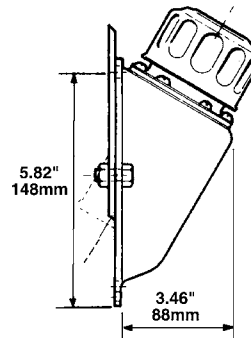
#### LOCKING TABS (AB ONLY)



Part No.	Reference	Features	Micron Rating	Finish
P562610	ABB-W-03-8S-IG	8" Stainless basket, inner guard	3 µm	Epoxy coated, black
P562611	ABB-W-10-3S	3" Stainless basket	10 µm	Epoxy coated, black
P562612	ABB-W-10-3S-LT	3" Stainless basket, lock tab	10 µm	Epoxy coated, black
P562614	ABB-W-10-N	Nylon basket	10 µm	Epoxy coated, black
P562616	ABB-W-10-N-R	Nylon basket, nitrile gasket	10 µm	Epoxy coated, black
P562618	ABB-W-40-3S	3" Stainless basket	40 µm	Epoxy coated, black
P562619	ABB-W-40-6S	6" Stainless basket	40 µm	Epoxy coated, black
P562620	ABB-W-40-N	Nylon basket	40 µm	Epoxy coated, black
P562623	ABB-Z-40-3S	3" Stainless basket	40 µm	Zinc plated
P562624	ABB-Z-40-3S-LT	3" Stainless basket, lock tab	40 µm	Zinc plated
P562625	ABB-Z-40-N	Nylon basket	40 µm	Zinc plated
P562626	ABB-Z-40-N-R	Nylon basket, nitrile gasket	40 µm	Zinc plated



**Side Mount**  
 P563609 Side Mount Kit  
 Can be used with all Bayonet and Threaded Flange Breathers (except MBB & Pressurized Breathers). Maximum torque for fastening 112 in. lbs. with washers.

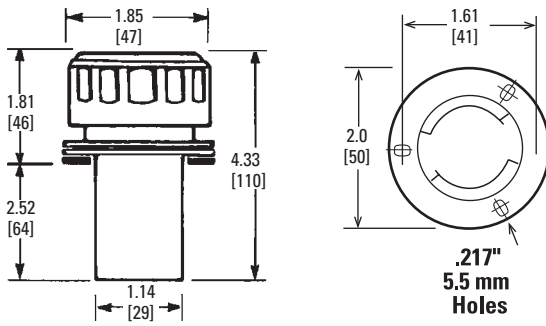


Dipsticks available for some models. See Features section on assembly tables.

### Chrome ABB Series Filler Breathers - Bayonet Style

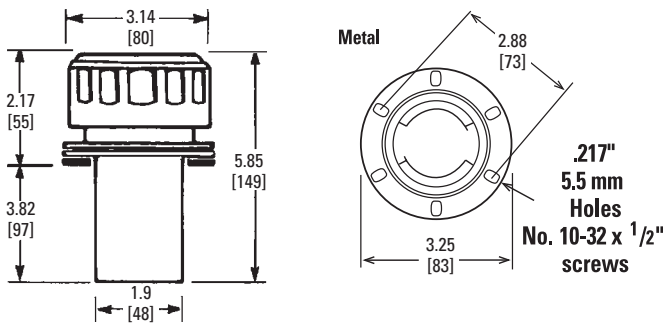
Airflow to 30 cfm/850 lpm

Part No.	Description	Features	Micron Rating
P562573	ABB-03-N	Nylon basket	3 µm
P562574	ABB-10	Flange, screws & gasket, no basket	10 µm
P562575	ABB-10-3S	3" Stainless basket	10 µm
P562576	ABB-10-3S-LT	3" Stainless basket, Lock tab	10 µm
P562577	ABB-10-3S-R	3" Stainless basket, nitrile gasket	10 µm
P562578	ABB-10-3S-SMB	3" Stainless basket, side mount kit	10 µm
P562579	ABB-10-6S	6" Stainless basket	10 µm
P562580	ABB-10-6S-LT	6" Stainless basket, Lock tab	10 µm
P562581	ABB-10-6S-R	6" Stainless basket, nitrile gasket	10 µm
P562582	ABB-10-8S	8" Stainless basket	10 µm
P562584	ABB-10-N	Nylon basket	10 µm
P562585	ABB-10-N-LT	Nylon basket, Lock tab	10 µm
P562587	ABB-10-N-R	Nylon basket, nitrile gasket	10 µm
P562589	ABB-40	Flange, screws & gasket, no basket	40 µm
P562590	ABB-40-3S	3" Stainless basket	40 µm
P562592	ABB-40-3S-R	3" Stainless basket, nitrile gasket	40 µm
P562593	ABB-40-3S-SMB	3" Stainless basket, side mount kit	40 µm
P562594	ABB-40-6S	6" Stainless basket	40 µm
P562595	ABB-40-6S-D	6" Stainless basket, dipstick	40 µm
P562596	ABB-40-6S-LT	6" Stainless basket, Lock tab	40 µm
P562598	ABB-40-8S	8" Stainless basket	40 µm
P562599	ABB-40-8S-D	8" Stainless basket, dipstick	40 µm
P562601	ABB-40-CWOF	Cap only	40 µm
P562602	ABB-40-LT	Lock tab, no basket	40 µm
P562603	ABB-40-N	Nylon basket	40 µm
P562605	ABB-40-N-LT	Nylon basket, Lock tab	40 µm
P562608	ABB-40-N-R	Nylon basket, nitrile gasket	40 µm
P562609	ABB-40-N-SMB	Nylon basket, side mount kit	40 µm



### Mini Filler Breather

Part No.	Description	Micron Rating	Airflow Capacity (cfm/lpm)	Finish
P562561	MBB-10-N	10 µm	10/283	Chrome
P562562	MBB-40-N	40 µm	10/283	Chrome



### Non-Vent Filler Cap, Bayonet

Part No.	Description	Feature	Finish
P562563	NVB-00-3S	Filler Cap Assembly with 3" Stainless Basket	Chrome
P562564	NVB-00-N	Filler Cap Assembly with Nylon Basket	Chrome
P562565	NVB-W-00-8S	Filler Cap Assembly with 8" Stainless Basket	Epoxy coated, Black



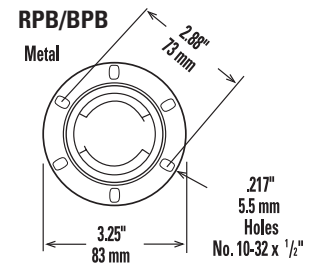
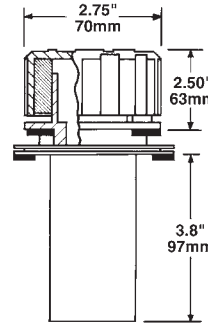
### Filler Breathers

#### Specifications

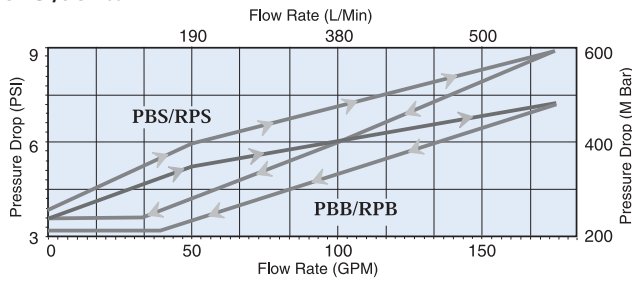
- High impact black technopolymer
- Temperature range  
-22°F to +240°F / -30°C to +115 °C
- 2.75" diameter cap
- Available with bayonet or threaded flange
- Airflow to 30 cfm / 850 lpm
- Compatible with petroleum and water based fluids
- 30 mesh technopolymer basket

#### Options

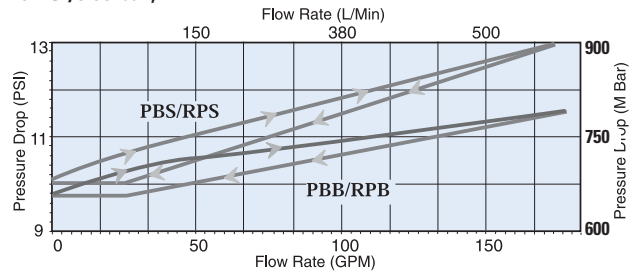
- Dipstick 3" / 76mm, 6" / 152mm and 8" / 203mm stainless steel baskets



5 PSI/0.34 bar



10 PSI/0.69 bar



### Bayonet Style (RPB) (BPB)

Part No.	Description	Feature	Micron Rating	Airflow Capacity (cfm/lpm)	Relief Valve Setting (psi/bar)
P562554	RPB-40-5-3S	3" Stainless Basket	40 µm	30/850	5/0.34
P562555	RPB-40-5-6S	6" Stainless Basket	40 µm	30/850	5/0.34
P562556	RPB-40-5-N	Nylon Basket	40 µm	30/850	5/0.34
P562534	BPB-10-A CAP ONLY	Breather Cap	10 µm	30/850	N/A
P562536	BPB-10-N-A	Breather	10 µm	30/850	N/A
P563813	BPB-40 CAP ONLY	Breather Cap	40 µm	30/850	N/A
P562537	BPB-40-3S	Breather with 3" Steel Basket	40 µm	30/850	N/A
P562538	BPB-40-3S-A	Breather	40 µm	30/850	N/A
P562539	BPB-40-6S-D	Filler Breather with Dip Stick	40 µm	30/850	N/A
P562541	BPB-40-N	Breather	40 µm	30/850	N/A
P562542	BPB-40-N-A	Breather	40 µm	30/850	N/A
P562544	BPB-40-N-SMB	Breather with Side Mount Kit	40 µm	30/850	N/A



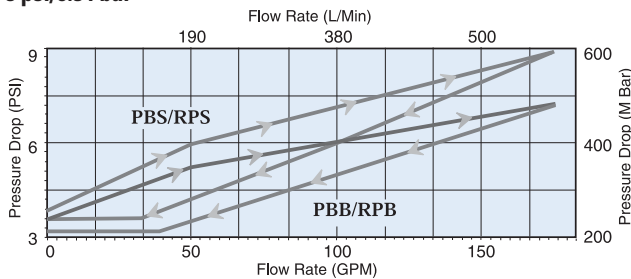
## PBB Series Pressure Filler Breather Cap - Bayonet Style

### Specifications

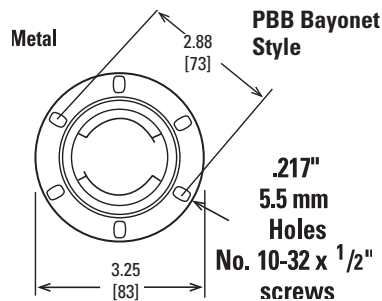
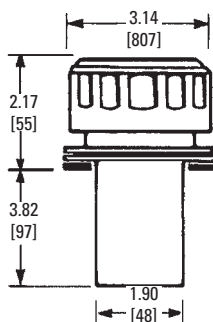
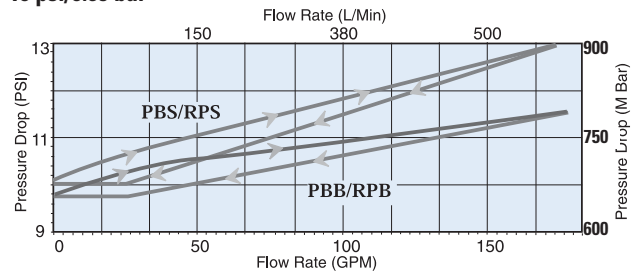
- Chrome plated, epoxy coated or zinc plated steel cap
- Air intake valve opens at 0.435 psi / 3 kPa
- Compatible with petroleum based fluids
- Temperature range  
-22°F to +240°F / -30°C to 115°C
- Nitrile gaskets standard
- 10 and 40 micron available
- Relief valve settings at 5 or 10 psi / 0.34 or 0.69 bar full rate flow



**5 psi/0.34 bar**



**10 psi/0.69 bar**

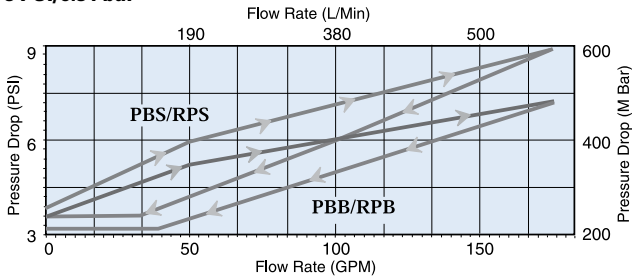




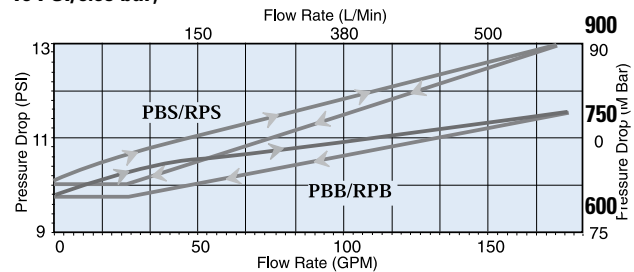
# PBB Series Pressure Filler Breather Cap - Bayonet Style

Part No.	Description	Feature	Micron Rating	Airflow Capacity (cfm/lpm)	Relief Valve Setting (psi/mm)	Finish
P563346	PBB-10-5-3S	3" Stainless Basket	10 µm	30/850	5/0.34	Chrome
P563347	PBB-10-5-6S	6" Stainless Basket	10 µm	30/850	5/0.34	Chrome
P563348	PBB-10-5-N	Nylon Basket	10 µm	30/850	5/0.34	Chrome
P563349	PBB-10-5-N-LT	Nylon Basket, Lock Tab	10 µm	30/850	5/0.34	Chrome
P563350	PBB-40-10-N	Nylon Basket	40 µm	30/850	10/0.69	Chrome
P563351	PBB-40-5	Flange, Screws & Gasket, No Basket	40 µm	30/850	5/0.34	Chrome
P563352	PBB-40-5-3S	3" Stainless Basket	40 µm	30/850	5/0.34	Chrome
P563353	PBB-40-5-6S	6" Stainless Basket	40 µm	30/850	5/0.34	Chrome
P563354	PBB-40-5-8S	8" Stainless Basket	40 µm	30/850	5/0.34	Chrome
P563355	PBB-40-5-N	Nylon Basket	40 µm	30/850	5/0.34	Chrome
P563356	PBB-W-10-5-N	Nylon Basket	10 µm	30/850	5/0.34	Epoxy Coated, Black
P563358	PBB-W-40-5-3S	3" Stainless Basket	40 µm	30/850	5/0.34	Epoxy Coated, Black
P563361	PBB-Z-10-5-N	Nylon Basket	10 µm	30/850	5/0.34	Zinc Plated
P563326		3" Stainless Basket Only				
P563465		6" Stainless Basket Only				
P563466		8" Stainless Basket Only				
P563322		4" Nylon Basket Only				

5 PSI/0.34 bar



10 PSI/0.69 bar



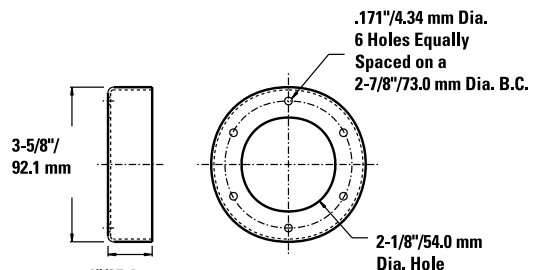
## Weld Risers for Filler Breathers

Part No.	Description	Height (in/mm)
P562668	WR-5565	1/25.4



### Features

- Steel stamped construction
- Predrilled holes align with standard breather tank flanges
- Provides for easy installation of filler breathers







## Reservoir Air Dryer

Water/moisture in fluid tanks and reservoirs is a big problem. It creates corrosion, pump cavitation, viscosity changes, additive dropout, oxidation and a host of other major system issues. Our new Reservoir Air Dryer removes damaging water, while eliminating the need to continually replace conventional desiccant breathers, or to dry fluids with vacuum dehydration units.

**How it works.** The Reservoir Air Dryer combats ambient ingress of moisture by introducing a steady flow of clean, dry air to the reservoir/tank. This flow of air keeps the relative humidity low in the headspace, driving moisture from the fluids and preventing condensation.

**Easy Installation.** With no electrical hookups, installation is easy. Just connect compressed air to the inlet and the outlet to the top of the reservoir. A coalescing pre-filter (the only part that needs servicing – takes seconds to replace) and outlet regulator are pre-installed.

**Don't Forget The T.R.A.P.™** When you combine the Reservoir Air Dryer with a T.R.A.P. Breather – the complete system keeps moisture and contamination out, even if fluid flow rate out of the tank surpasses the Reservoir Air Dryer flow rate into the tank. The Reservoir Air Dryer also regenerates the T.R.A.P. Breather, increasing life and reducing the total cost of ownership.

If you've got a water problem in your reservoirs or storage tanks, or would like to prevent moisture from entering your system, contact your Donaldson distributor or representative for a complete site audit or for more information.





## Reservoir Air Dryer

### Features

- Designed to operate with Standard Plant Air — instrument quality air is not required!
- Submicron Coalescing Air Filter — collects oil and water droplets and fine particles present in the inlet air.
- Automatic Drain — purges captured liquid. No intervention required
- Visual Indicator — monitors filter condition
- Membrane Air Dryer — reduces the plant air dew point by as much as 150°F (66°C)
- Pressure Regulator — depressurizes the air and ensures that the proper volume of air is introduced into the reservoir
- The Clean Dry Air Sweep dehydrates the reservoir headspace and removes dissolved moisture from exposed oils and fuels\*



\*The Reservoir Air Dryer is not recommended for use on gasoline holding tanks, or for the head space of any flammable liquid (Flash Point below 100°F / 38°C)



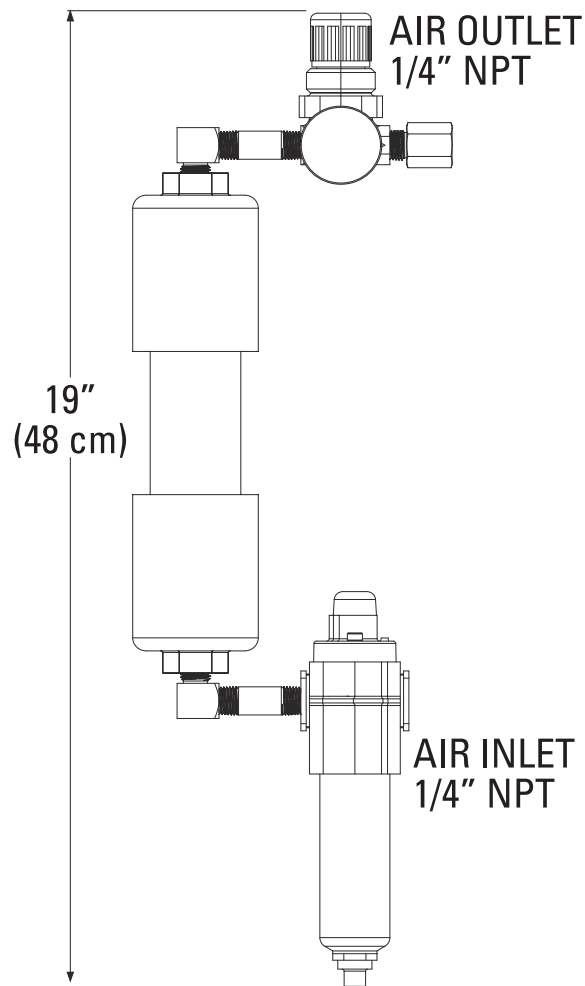
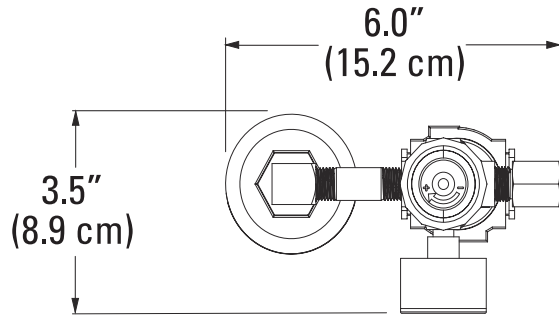
P575852 Reservoir Air Dryer Specifications	
Efficiency	Reduces dew point as much as 150°F (66°C)*
Fluid Compatibility	Petroleum and Phosphate Ester Fluids, Diesel Fuels
Outlet Flow Volume @100 psi and dew point suppression	0.5 scfm (14.2 slpm) maximum
Inlet Air required @ 100 psi	0.8 scfm (22.7 slpm) maximum
Inlet/Outlet	¼" NPT
Pre-Filter Condition	Visual Indicator (Green/Red)
Pressure Regulator	Dial Gauge
Drain Plug	¼" NPT
Coalescer Drain	Automatic Float Type
Electrical	N/A
Max Working Pressure	116 psi (800 kPa / 8.00 bar)
Max Operating Temperature	125°F (52°C)
Mounting Bracket	3/8" - 16 UN Threaded Nut
Weight	<5 lbs (<3 kg)

\*The Reservoir Air Dryer is not recommended for use on gasoline holding tanks, or for the head space of any flammable liquid (Flash Point below 100°F / 38°C)  
shop.donaldson.com



# Reservoir Air Dryer

ACCESSORIES

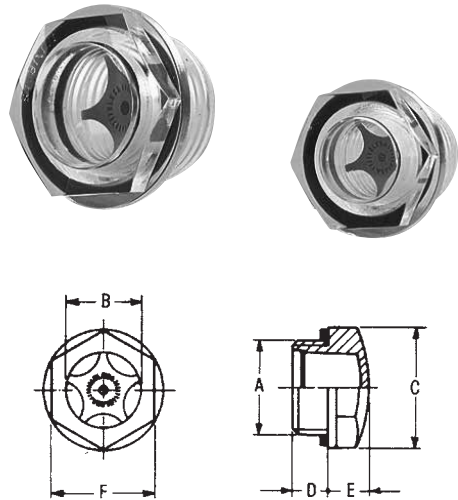




## Sight Glasses

### Specifications

- Working pressure: 29 psi / 200 kPa / 2 bar
- Transparent polyamid construction
- Shock resistant
- Anodized aluminum reflector
- Operating temperature range:  
-20°F to 210°F / -29°C to 100°C
- Nitrile seal
- For use with mineral, petroleum and water-based fluids
- Any contact with alcohol or solvents must be avoided
- Design HFTX



### Features

Leak-free sight glasses come in plastic or metal with a variety of threads, seals and lenses. In low visibility areas, prism lens sight glasses are a good solution for quick and accurate readings. In applications involving high pressure or temperatures, steel sight glasses are preferred. Locking nuts provide mounting into sheet metal with minimum thickness and without welding.

Part No.	Description	A - Thread Size	Dimensions (in/mm)				
			B	C	D	E	F
P562419	SG-04	1/4" BSP	.35/9	.71/18	.28/7	.24/6	.59/15
P562420	SG-06	3/8" BSP	.43/11	.87/22	.32/8	.28/7	.75/19
P562421	SG-08	1/2" BSP	.55/14	1.02/26	.32/8	.32/8	.87/22
P562423	SG-08-S	3/4" - 16 UN	.51/13	1.02/26	.59/15	.32/8	.87/22
P562426	SG-12	3/4" BSP	.79/20	1.22/31	.35/9	.39/10	1.06/27
P562427	SG-12-S	1-1/16" - 12 UN	.75/19	1.38/35	.59/15	.39/10	1.18/30
P562430	SG-20	1-1/4" BSP	1.18/30	1.85/47	.47/12	.51/13	1.61/41



# Prism Sight Glasses

## Specifications

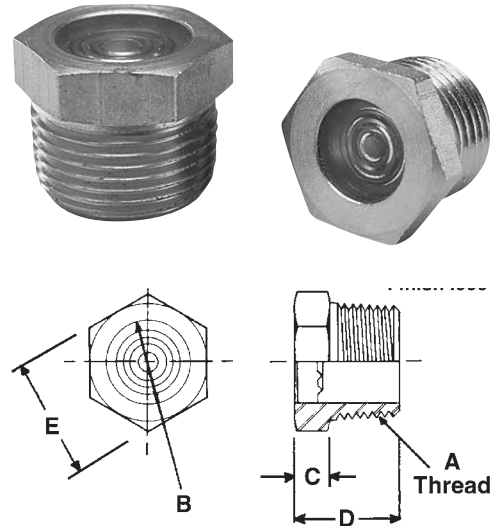
- Prism lenses: special translucent polyamide technopolymer
- For low light applications
- Body: special black polyamide technopolymer
- Available in 3/4" and 1" NPT sizes
- Resistant to solvents, oils, greases, alkaline acids
- Avoid alcohol and detergents containing alcohol
- Flat nitrile seal



Part No.	Description	A -Thread Size	Dimensions (in/mm)				
			B	C	D	E	F
P562417	PSG-12	3/4" NPT	0.70/18	1.38/35	0.40/10	0.33/8.5	1.26/32
P562418	PSG-16	1" NPT	0.90/23	1.70/43	0.43/11	0.36/9	1.50/38

## Specifications

- Working pressure: 500 psi / 3,450 kPa / 34.5 bar
- All nickel-plated steel construction
- Glass prism lenses hermetically sealed
- Leak-proof service
- Greater mechanical strength
- Easy installation
- Reflects light in the presence of any liquid
- Maximum operating temp. 500°F / 260°C
- Suitable for petroleum and water based fluids



Part No.	Description	A -Thread Size	Dimensions (in/mm)			
			B	C	D	E
P562408	SVM-04	1/4" NPT	0.34/8	0.19/5	0.44/11	0.63/16
P562409	SVM-06	3/8" NPT	0.44/11	0.22/6	0.5/13	0.75/19
P562410	SVM-08	1/2" NPT	0.56/14	0.22/6	0.56/14	0.94/24
P562411	SVM-12	3/4" NPT	0.75/19	0.31/8	0.63/16	1.06/27
P562412	SVM-16	1" NPT	0.94/24	0.31/8	0.94/24	1.38/35
P562413	SVM-20	1-1/4" NPT	1.19/30	0.41/10	0.81/21	1.75/44
P562414	SVM-24	1-1/2" NPT	1.44/37	0.41/10	0.81/21	2.00/51
P562415	SVM-32	2" NPT	1.88/48	0.41/10	0.88/22	2.50/64



## Fluid Level Gauges

### Specifications

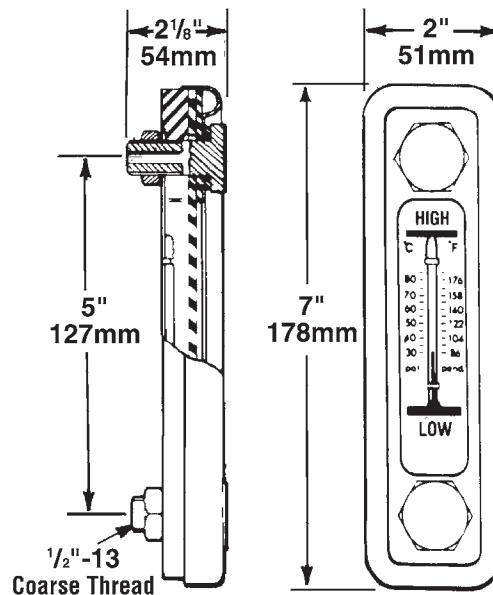
- Steel frame
- Acrylic lens
- Steel zinc plated bolts
- 5" (127mm) mounting bolt centers
- Maximum wall thickness: 1/2" / 12.7mm
- Maximum temperature:  
SLT 225°F / 107°C; SLG 180°F / 80°C



SLT-1214  
P562433

### Features

Donaldson offers a wide variety of fluid level gauges that let you accurately measure fluid levels in your tanks and reservoirs. Gauges are made with transparent lens material and are suitable for lubricants, mineral, petroleum and water based fluids. They offer 180° visibility of fluid level.



Part No.	Desc.	Feature	Seals
P562433	SLT-1214	5"/127mm Level Gauge w/ Red Thermometer, Chrome Steel Frame	Neoprene

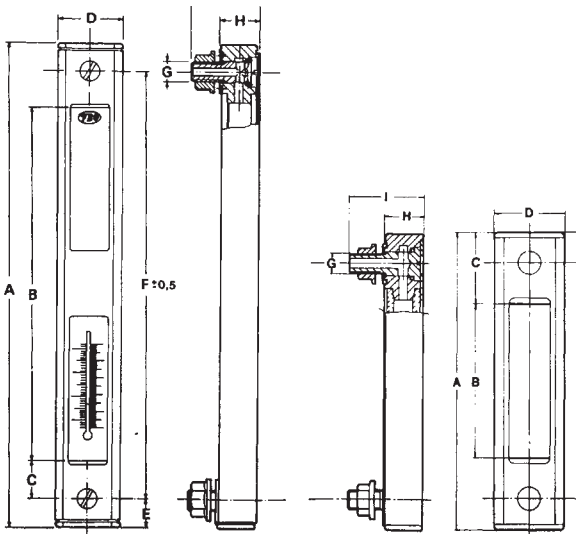
Bolt torque: 15 ft.-lbs./20 Nt-m. Do not exceed 20 ft.-lbs./27 Nt-m.



# Fluid Level Gauges

## Specifications

- Transparent lens material
- Nitrile seals
- Maximum working pressure for pressurized tanks:  
14.5 psi / 1 bar / 100 kPa.
- Oil level and temperature or oil level only
- Temperature scale:  
35° to 210°F / 0° to 100°C.



**Bolt torque:** 10 ft.-lbs/Nt-m.  
 Inside nut for tightening directly on the tank.  
 Suggested mounting hole diameter: 11mm or 13mm.

## Oil Level/Temperature Gauge Specifications (35° - 210°F / 0° - 100°C)

Part No.	Dimensions (in/mm)								
	A	B	C	D	E	F	G-Thread	H	I
P171920	6.22/158	3.22/82	.89/22.5	1.57/40	.61/15.5	5/127	M12 x 1.75	.78/20	1.57/40
P171922	11.22/285	8.23/209	.89/22.5	1.57/40	.61/15.5	10/254	M12 x 1.75	.78/20	1.57/40

## Oil Level Gauge Specifications

Part No.	Dimensions (in/mm)								
	A	B	C	D	E	F	G-Thread	H	I
P171918	6.22/158	3.23/82	.89/22.5	1.57/40	.61/15.5	5/127	M12 x 1.75	.78/20	1.57/40
P171913	4.21/107	1.22/31	.89/22.5	1.57/40	.61/15.5	3/76	M10 x 1.5	.78/20	1.57/40



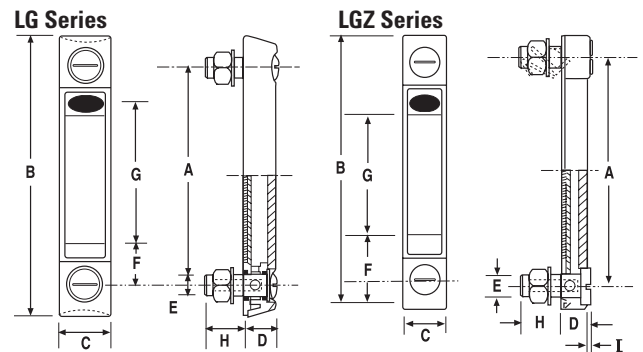


# Fluid Level Gauges

## Specifications

- Ultrasonically welded polyamide
- Suitable for pressurized reservoirs
- Operating temperature range:  
-20°F to 212°F / -29°C to 100°C
- Scale: 32°F to 212°F / 0°C to 100°C
- Maximum wall thickness:  
- LG-3 - 1/2" / 12.7mm  
- LG-5/LG-10 - 3/8" / 8.3mm
- Nitrile O-Ring seals
- Zinc plated bolts
- Metric bolts

Note: Any contact with alcohol, alcohol-based washing fluids, or petroleum distillates must be avoided. Do not chamfer tank mounting holes. Not for water-glycol applications

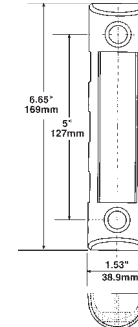


LG-3 FM option E dia. = 0.625 (5/8)  
LG-5, 10 FM option E dia. = 0.688 (11/16)

## Options:

- 1/2"-13 bolts (LG-5)
- Protective guard (LG-5)
- Fluorocarbon seals
- Red and blue thermometers
- Alcohol resistant version
- Fast mount kit (requires no internal access or threads to mount)

### LG-5G Guard



Bolt torque: 9 ft.-lbs./12 Nt-m  
(7 ft.-lbs./9.5 Nt-m fast mount)

## Fluid Level Gauge Guard (LG-5 Series only)

Part No.	Description	Feature	Dimensions (in/mm)			
			Bolt Center A	B	C	D
P562453	LG-G	5\"/>				



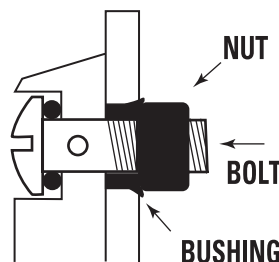
# Transparent Polyamide Fluid Level Gauges

## Level Gauge Choices

Part No.	Description	Feature	Dimensions (in/mm)									
			Bolt Center			Hole Dia.						
			A	B	C	D	E	Bolt Size	F	G	H	I
P562438	LG-3	3" Level Gauge	3.00/76	4.17/106	1.06/27	.63/16	.42/10	M10 x 1.5	.71/18	1.31/33	.83/21	
P562440	LG-3-FM	3" Level Gauge with Fast Mount kit	3.00/76	4.17/106	1.06/27	.63/16	.625/16	M10 x 1.5	.71/18	1.31/33	.83/21	
P562441	LG-3-T	3" Level Gauge with Red Thermometer	3.00/76	4.17/106	1.06/27	.63/16	.42/10	M10 x 1.5	.71/18	1.31/33	.83/21	
P562442	LG-3-TB	3" Level Gauge with Blue Thermometer	3.00/76	4.17/106	1.06/27	.63/16	.42/10	M10 x 1.5	.71/18	1.31/33	.83/21	
P562454	LG-Z-3	3" Level Gauge	3.00/76	3.90/99	.90/22	.57/14.5	.42/10	M10 x 1.5	.70/18	1.30/33.6	.90/23	0.06/1.5
P562444	LG-5	5" Level Gauge	5.00/127	6.34/161	1.22/31	.71/18	.47/12	M12 x 1.75	.90/23	2.91/74	.90/23	
P562445	LG-5-13	5" Level Gauge with 1/2" -13 bolt kit	5.00/127	6.34/161	1.22/31	.71/18	.50/13	1/2" - 13 UNC	.90/23	2.91/74	.90/23	
P562447	LG-5-FM	5" Level Gauge with Fast Mount kit	5.00/127	6.34/161	1.22/31	.71/18	.688/17.5	M12 x 1.75	.90/23	2.91/74	.90/23	
P562448	LG-5-T	5" Level Gauge with Red Thermometer	5.00/127	6.34/161	1.22/31	.71/18	.47/12	M12 x 1.75	.90/23	2.91/74	.90/23	
P562449	LG-5-T-13	5" Level Gauge with Red Thermometer & 1/2"-13 bolt kit	5.00/127	6.34/161	1.22/31	.71/18	.50/13	1/2" - 13 UNC	.90/23	2.91/74	.90/23	
P562450	LG-5-TB	5" Level Gauge with Blue Thermometer	5.00/127	6.34/161	1.22/31	.71/18	.47/12	M12 x 1.75	.90/23	2.91/74	.90/23	
P562451	LG-5-T-FM	5" Level Gauge with Red Thermometer & Fast Mount kit	5.00/127	6.34/161	1.22/31	.71/18	.688/17.5	M12 x 1.75	.90/23	2.91/74	.90/23	
P563913	LG-5-T-G	5" Level Gauge with Red Thermometer & Guard	5.00/127	6.34/161	1.22/31	.71/18	.47/12	M12 x 1.75	.90/23	2.91/74	.90/23	
P562452	LG-5-T-SS	5" Level Gauge with Red Thermometer, Stainless Bolt kit	5.00/127	6.34/161	1.22/31	.71/18	.47/12	M12 x 1.75	.90/23	2.91/74	.90/23	
P562456	LG-Z-5	5" Level Gauge	5.00/127	5.9/150	.90/22	.57/14.5	.47/12	M12 x 1.75	.93/23.5	2.90/73.7	.90/23	0.06/1.5
P562458	LG-Z-5-V	5" Level Gauge with Fluorocarbon seals	5.00/127	5.9/150	.90/22	.57/14.5	.47/12	M12 x 1.75	.93/23.5	2.90/73.7	.90/23	0.06/1.5
P562434	LG-10	10" Level Gauge	10.00/254	11.42/290	1.38/35	.71/18	.47/12	M12 x 1.75	1.02/26	7.60/193	.90/23	
P562435	LG-10-LF	10" Level Gauge w/ Level Float	10.00/254	11.42/290	1.38/35	.71/18	.47/12	M12 x 1.75	1.02/26	7.60/193	.90/23	
P562436	LG-10-T	10" Level Gauge w/ Red Thermometer	10.00/254	11.42/290	1.38/35	.71/18	.47/12	M12 x 1.75	1.02/26	7.60/193	.90/23	
P562437	LG-10-TB	10" Level Gauge w/ Blue Thermometer	10.00/254	11.42/290	1.38/35	.71/18	.47/12	M12 x 1.75	1.02/26	7.60/193	.90/23	
P563909	LG-10-TB-SS	10" Level Gauge w/ Blue Thermometer & Stainless Bolt kit	10.00/254	11.42/290	1.38/35	.71/18	.47/12	M12 x 1.75	1.02/26	7.60/193	.90/23	

## Fast-Mount Kits

Part No.	Description
P563513	LG-3/3T
P563514	LG-5/5T, 10/10T



### Fast Mount Assembly Instructions

Installation: Tighten nuts on bolts to the point where nuts are snug against bushings. Apply one drop of thread lock to last exposed thread at end of bolts. Mount on tank and tighten to 7 ft.-lbs./1kg-m. **(DO NOT OVER-TIGHTEN).**

**Removal: Loosen bolts and remove. (IMPORTANT: THREAD LOCK PREVENTS OVER-LOOSENING OF BOLTS TO POINT WHERE NUTS DROP OFF INTO TANK.)**