



Donaldson
FILTRATION SOLUTIONS

Compressed Air Filtration

Water Separator Ultradri

AG-Z

MAIN FEATURES & BENEFITS:

- High retention rate, low pressure loss
- Intelligent overall concept meet requirements of industrial air purification
- Flow-optimised design, minimum pressure loss for economic compressed air purification (saving of energy costs)
- Compact, service friendly construction due to 3-part housing with union nut, low space requirement and simply handling during service work



Version Superplus

INDUSTRIES



- Chemical and pharmaceutical industry



- PCB assembly and CD manufacturing



- Surface finishing



- Machine building industry and plant engineering / construction



- Energy and power generation

Donaldson Filtration Deutschland GmbH
Büssingstr. 1
D-42781 Haan
Tel.: +49 (0) 2129 569 0
Fax: +49 (0) 2129 569 100
E-Mail: CAP-de@donaldson.com
Web: www.donaldson.com

Donaldson®
Ultrafilter

PRODUCT DESCRIPTION

The AG-Z water separator was designed for the purification of air and other gases in an industrial range of applications.

The housings made out of three parts with swirl vanes offer low differential pressures at high flow rates.

The Ultradri is available in a superplus version, where it will be supplied with an electronically controlled zero-loss drain. Between drain and housing a ball valve is installed.

This product series offers 2 different housings available ranging from a volume flow of 1650 to 2250 m³/h (related to 7 bar (g)).

Features:

The conical form of the lower filter bowl is designed to eliminate aerosol carry over.

The turbulent free zone in the lower part of the filter housing prevents condensate from being carried over from the clean air out of the wet area.

The AG-Z water separator conforms to the requirements of the European directive 2014/68/EU for pressure vessels.



Cross section of the AG-Z

The AG-Z cyclone separators are designed and developed for the following applications:

- **Central compressed air processing:**
 - Removal of liquids and aerosols downstream aftercoolers
 - Pre-purification stage upstream high efficiency filters

PRODUCT SPECIFICATIONS

Features	Benefits
3-part housing	Easy installation and maintenance
Optimized housing construction for best flow velocity	Savings in purification costs due to low pressure drop
Acoustic alarm signal at residual pressure on housing	Maximum safety for service work
Superplus version: Condensate drain UFM-D	Condensate drainage without compressed air loss

Technical Data	
Max. operating pressure:	16 bar
Test pressure:	22,88 bar
Perm. operating temperature	+1°C / +65°C
Material:	EN AC-AISi7Mg0,3
Paint coat:	Polyester resin coated
Total retention rate at 8 bar abs	
≥ 10 µm	99%

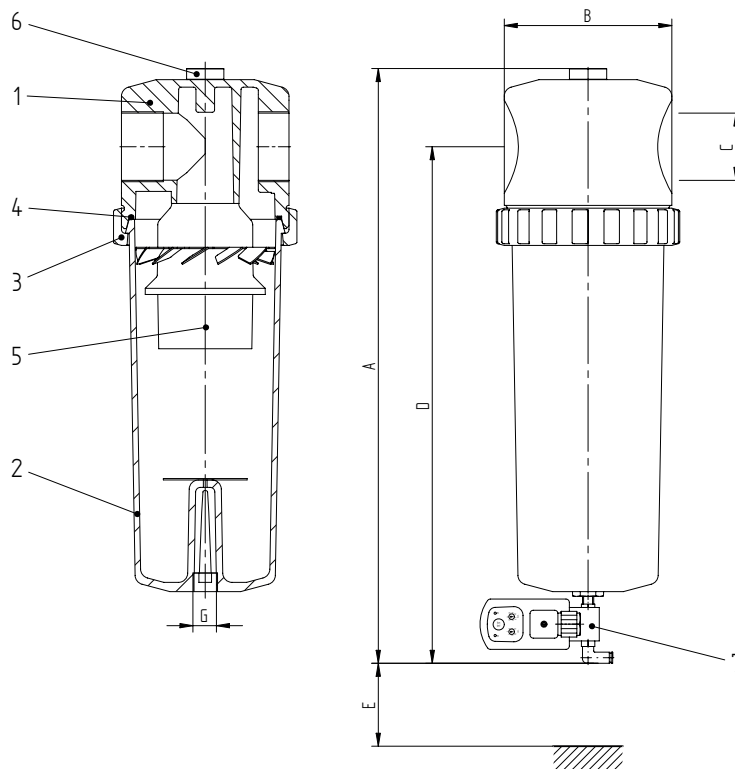
MATERIALS/ DIMENSIONS

AG-Z STANDARD 1650-2250

Pos.	Pcs.	Description
1	1	Upper housing bowl
2	1	Lower housing bowl
3	1	Screw locking ring
4	1	Housing o-Ring
5	1	Centrifugal insert
6	1	Cap
7	1	Drain UFZ

Materials:	
Filter housing	Aluminium
Screw locking ring with acoustic warning signal	Aluminium
UFZ	Brass
Sealing O-Ring	Viton

Classification acc. to 2014 / 68 / EU for fluids group 2	
AG-Z 1650- 2250	Cat. I



Housing size	Volume (l)	Weight (kg)	A mm	Ø B mm	C ISO 228/1	D mm	E mm	G ISO 228/1
1650	7,0	9,1	645	180	G 2 1/2	560	200	G 3/4
2250	7;0	9,2	645	180	G 3	560	200	G 3/4

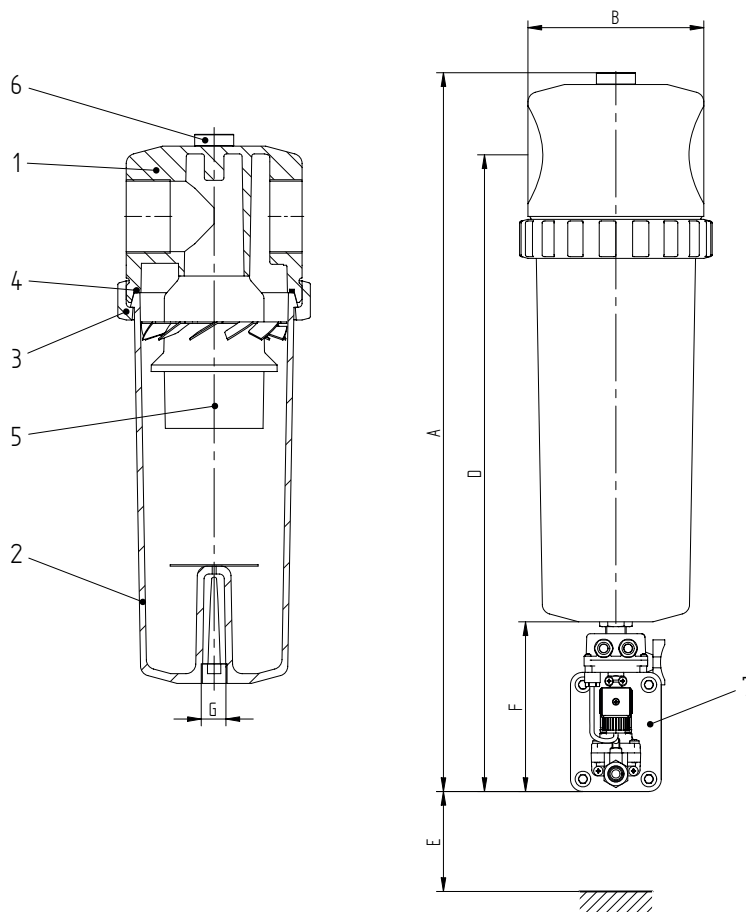
MATERIALS/ DIMENSIONS

AG-Z SUPERPLUS 1650- 2250

Pos.	Pcs.	Description
1	1	Upper housing bowl
2	1	Lower housing bowl
3	1	Screw locking ring
4	1	Housing o-Ring
5	1	Centrifugal insert
6	1	Cap
7	1	Drain

Materials:	
Filter housing	Aluminium
Screw locking ring with acoustic warning signal	Aluminium
UFM-D	Aluminium/ Reinforced polymer
Sealing O-Ring	Viton

Classification acc. to 2014 / 68 / EU for fluids group 2	
AG-Z 1650- 2250	Cat. I



Housing size	Volume (l)	Weight (kg)	A mm	Ø B mm	C ISO 228/1	D mm	E mm	F mm	G ISO 228/1
1650	7,0	9,1	645	180	G 2 1/2	560	200	175	G 3/4
2250	7,0	9,2	645	180	G 3	560	200	175	G 3/4