



Donaldson.
FILTRATION SOLUTIONS

Process Filtration From Pure to Sterile

PF-EG 0003 – 0075

Single housings

MAIN FEATURES & BENEFITS:

- Standard version, etched and passivated, or Superplus version, electro polished Ra < 0,8 µm
- Code 7 plug with retaining bracket for optimized cleaning
- Complete stainless steel 1.4404 construction
- Design in compliance with
 - FDA CFR Code of Federal Regulations Title 21
 - Framework regulation 1935/2004/EC
 - Pressure Equipment Directive 2014/68/EU
 - 3-A Sanitary Standards (Version Superplus) for USA



INDUSTRIES:



- Food and Beverage



- Dairy



- Chemical



- Pharmaceutical

Donaldson Filtration Deutschland GmbH
Büssingstr. 1
42781 Haan
Germany

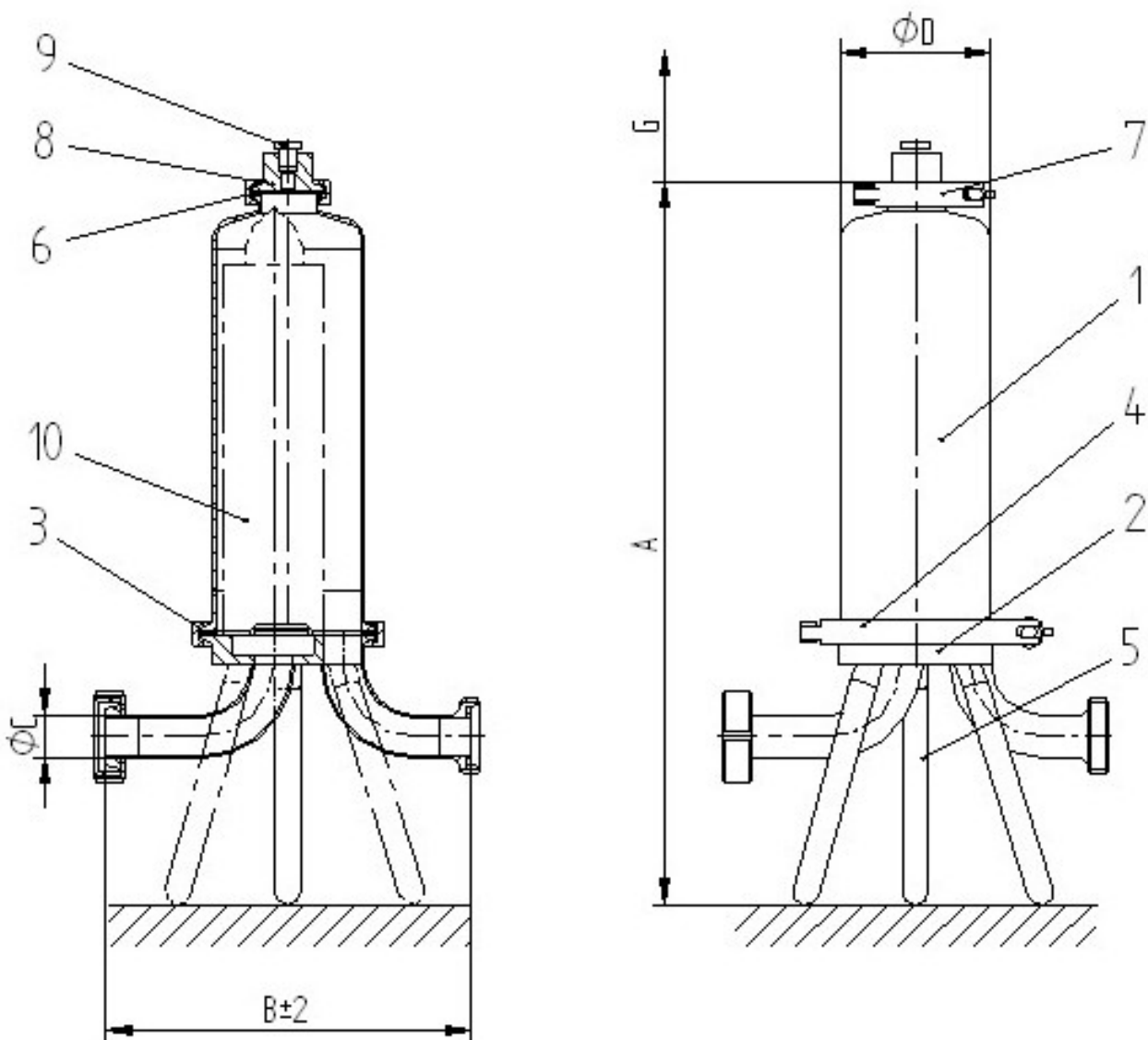
Web: www.donaldson.com

Donaldson®
Ultrafilter

TECHNICAL DATA STANDARD VERSION

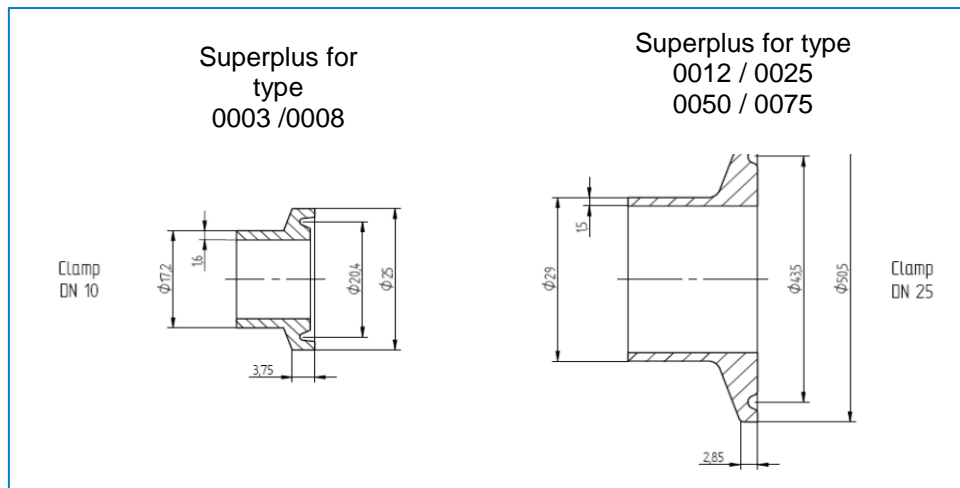
Pos.	Name
10	filter element
9	screw plug
8	clamp adapter
7	clamp fastener
6	gasket
5	legs
4	clamp fastener
3	gasket
2	lower bowl
1	upper bowl

max. operating pressure for liquids:	10 bar at min./max. operating temperature -25°C / +150°C
max. operating pressure for saturated steam:	3,7 bar (+150°C)
Test pressure:	14,3 bar
Material housing:	1.4404
Material attached parts:	1.4301
Surfaces:	etched, passivated
Classification acc. To 2014/68/EU	for fluids group 2 Art. 4, par. 3



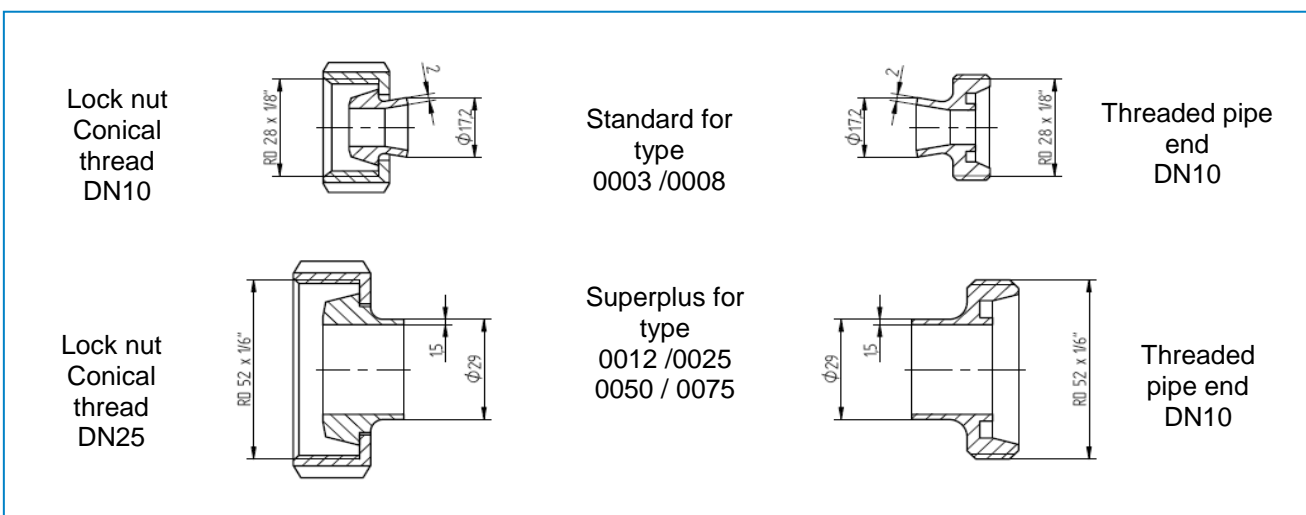
DIMENSIONS HOUSING AND CLAMP CONNECTIONS (VERSION SUPERPLUS)

housing type	volume l	weight kg	A mm	B ±2 mm	C	ØD mm	E mm	ØF mm	G mm	element
0003	0,3	1,2	280	140	DN 10	70	109	25	150	03/10
0008	0,4	1,4	333	140	DN 10	70	109	25	200	05/20
0012	1,5	4,4	406	250	DN 25	104	116	50,5	230	05/3 P7
0025	2,5	5,1	541	250	DN 25	104	116	50,5	370	10/3 P7
0050	4,5	6,3	795	250	DN 25	104	116	50,5	620	20/3 P7
0075	6,6	7,7	1049	250	DN 25	104	116	50,5	870	30/3 P7



DIMENSIONS HOUSING AND MILKPIPE CONNECTIONS (VERSION STANDARD)

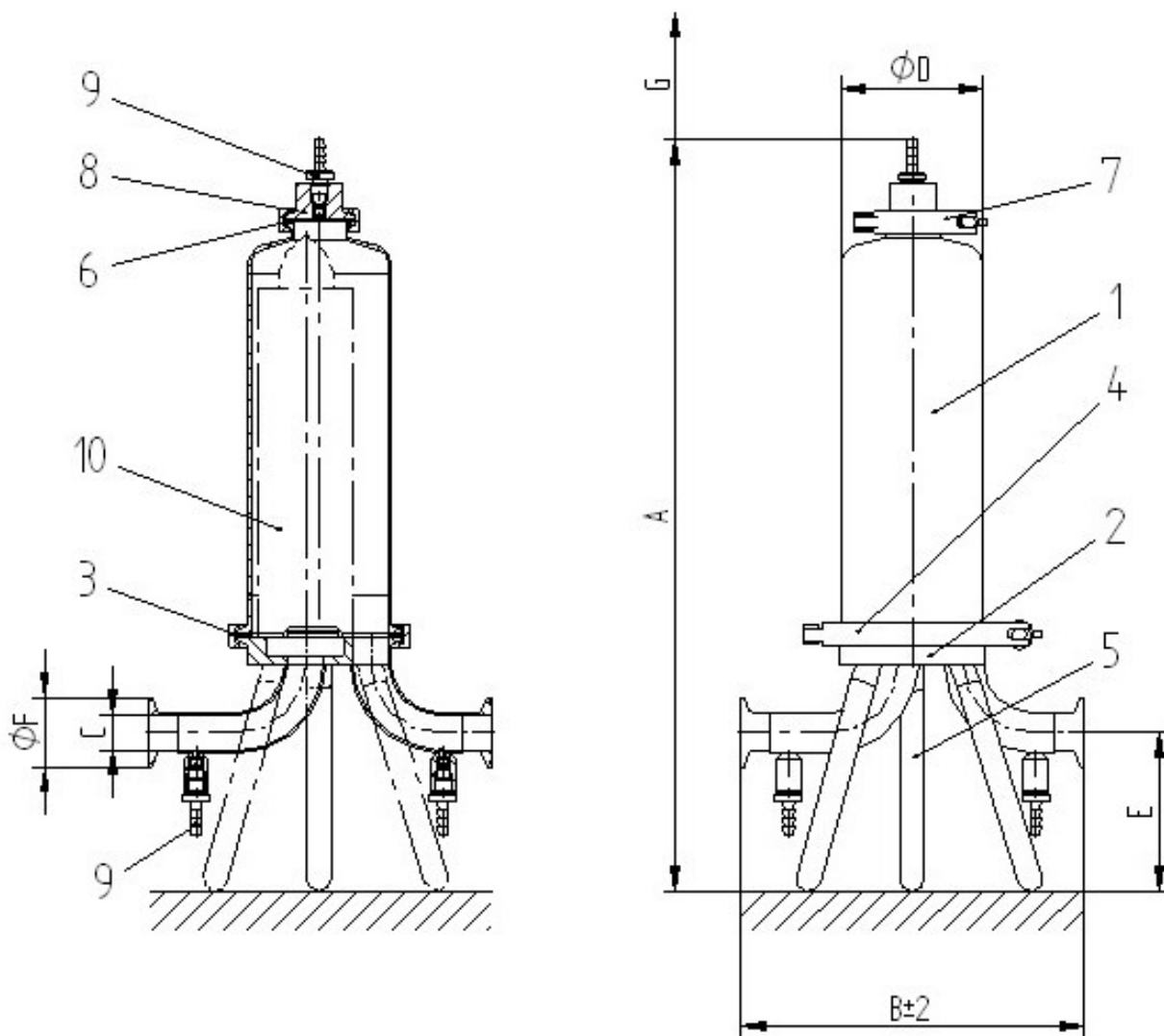
housing type	volume l	weight kg	A mm	B ±2 mm	C	ØD mm	E mm	ØF mm	G mm	element
0003	0,3	1,2	280	140	DN 10	70	109	25	150	03/10
0008	0,4	1,4	333	140	DN 10	70	109	25	200	05/20
0012	1,5	4,4	406	250	DN 25	104	116	50,5	230	05/3 P7
0025	2,5	5,1	541	250	DN 25	104	116	50,5	370	10/3 P7
0050	4,5	6,3	795	250	DN 25	104	116	50,5	620	20/3 P7
0075	6,6	7,7	1049	250	DN 25	104	116	50,5	870	30/3 P7



TECHNICAL DATA SUPERPLUS VERSION

Pos.	Name
10	filter element
9	pharma valve
8	clamp adapter
7	clamp fastener
6	gasket
5	legs
4	clamp fastener
3	gasket
2	lower bowl
1	upper bowl

max. operating pressure for liquids:	10 bar at min./max. operating temperature -25°C / +150°C
max. operating pressure for saturated steam:	3,7 bar (+150°C)
Test pressure:	14,3 bar
Material housing:	1.4404
Material attached parts:	1.4301
Surfaces:	etched, passivated and electropolished inside and outside Ra < 0,8µm
Classification acc. To 2014/68/EU	for fluids group 2 Art. 4, par. 3



PRODUCT DESCRIPTION

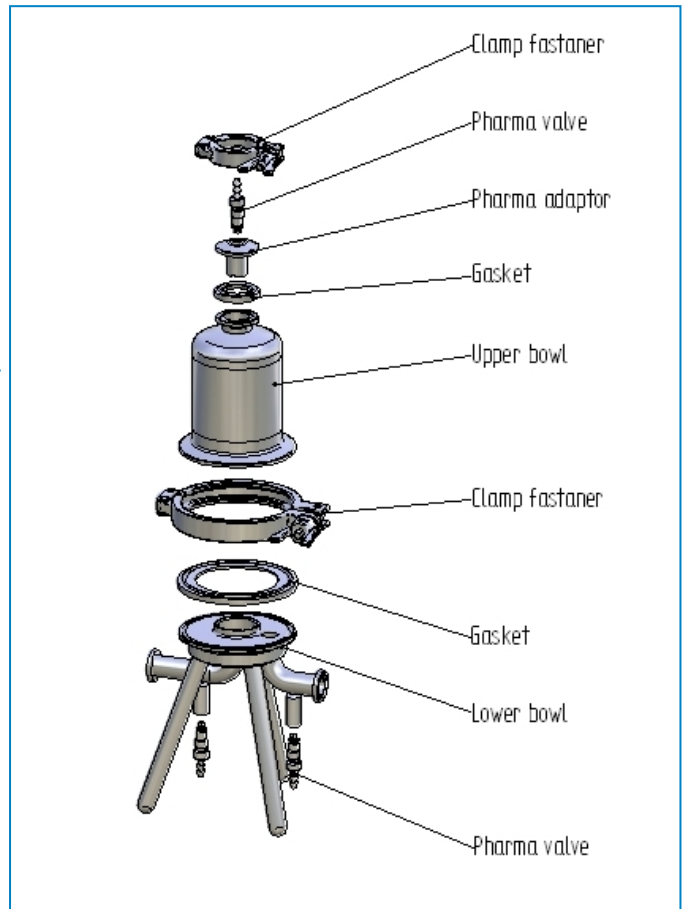
Donaldson PF-EG housings were developed for the filtration of liquids in diverse applications. Combined with a Donaldson filter element with Code 7 connection, they provide an optimised solution for nearly any application.

PF-EG single housings are available in 6 sizes and are suitable for flow rates from 3 to 75 l/min. Standard housings are equipped with a milkpipe connection, Superplus housings with a Triclamp connection. The Superplus version has a polished surface with $R_a < 0,8 \mu\text{m}$, additional 2 pharma valves at the in- and outlet and a pharma valve for venting.

DIRECTIVES

All PF-EG single housings, version Superplus, are designed in accordance with

- FDA CFR Code of Federal Regulations Title 21
- Framework regulation 1935/2004/EC
- Pressure Equipment Directive 2014/68/EU
- 3-A Sanitary Standards for USA



FDA



CE



GASKET SETS

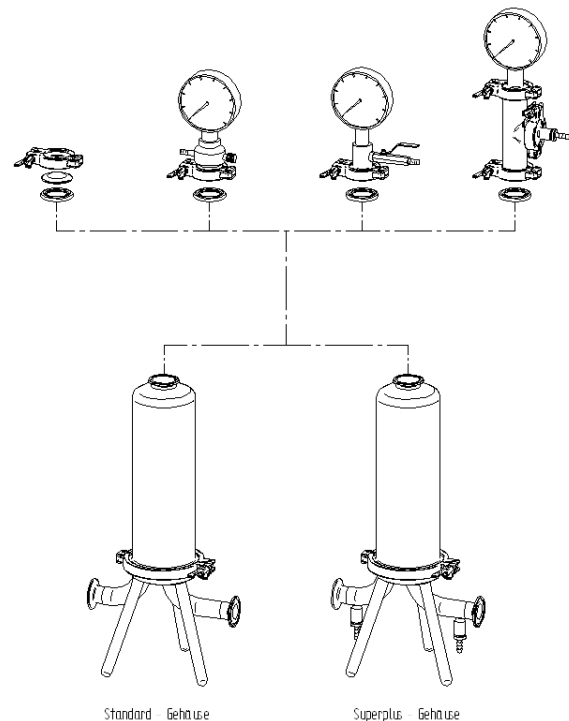
For all housing types of the PF-EG single series a gasket set is available.

Set	Content	Material
Gasket Set PF-EG 0003-0008 standard	1x Clamp gasket housing	EPDM
Gasket Set PF-EG 0012-0075 standard	1x Clamp gasket vent	
Gasket Set PF-EG 0003-0008 superplus	1x Housing gasket	EPDM
Gasket Set PF-EG 0012-0075 superplus	1x Clamp gasket vent	

ACCESSORIES

A range of suitable accessories (e.g. pressure gauges) and spare parts is available for PF-EG single housings.

Please contact your Donaldson Service engineer for a detailed list.



Technical alterations reserved 08/2009

- For information on integrity test equipment or integrity test services, please contact your Donaldson Sales Engineer and visit our website at www.donaldson.com!

(F119027 - Rev. 08 – 11/16)