

Zero-loss, electronically controlled condensate drains that offer simple maintenance, silent operation, and fast return on investment.

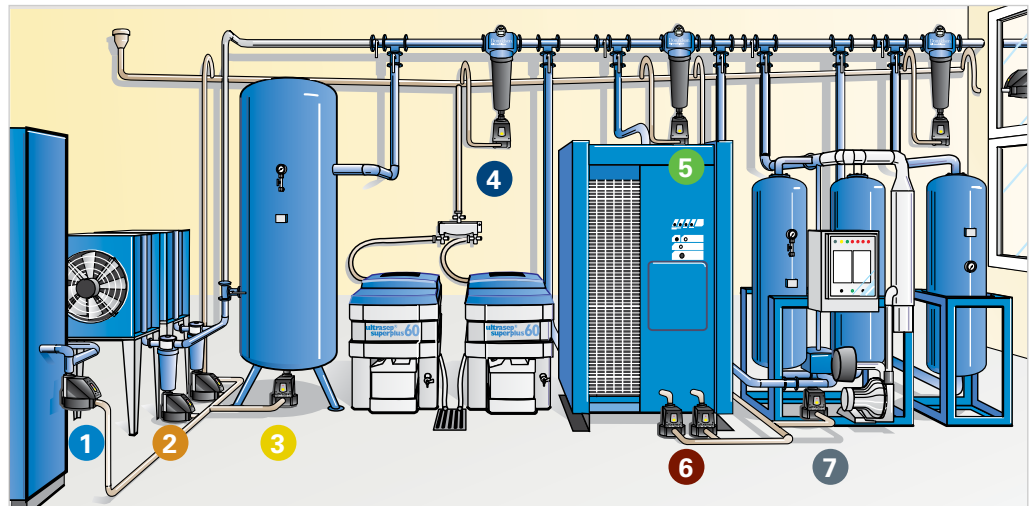
Donaldson® UFM-D drains offer an economical and low maintenance option to handling the liquid condensate, which naturally accumulates in various spots within a compressed air system. Condensate must be drained frequently, and typical drains are prone to loss of valuable compressed air. The UFM-D drains offer the ability to silently and cost effectively drain condensate from your compressed air system.



UFM-D

APPLICATIONS

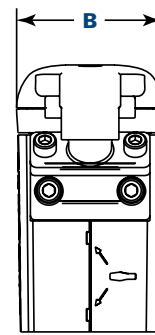
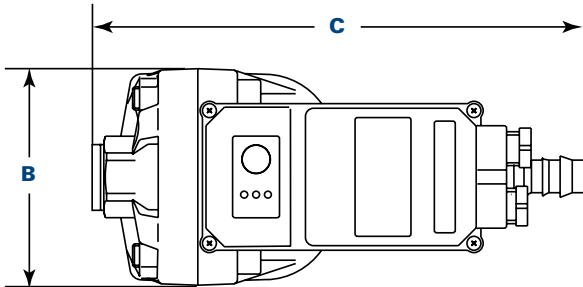
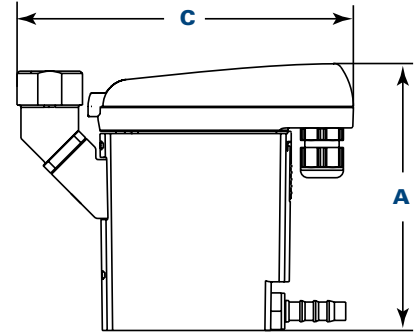
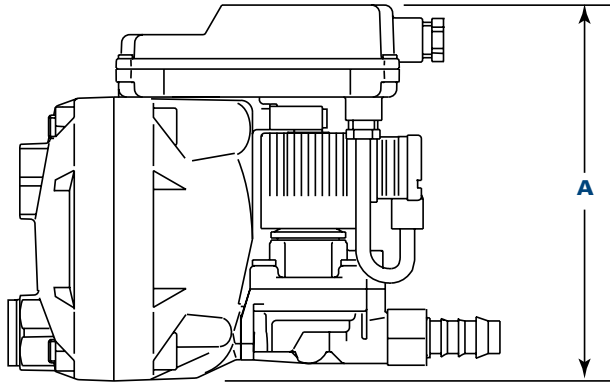
- 1 On the compressor itself
- 2 On compressor aftercoolers
- 3 On accumulator/surge tanks
- 4 On coarse coalescing prefilters before refrigerated and desiccant dryers
- 5 On fine coalescing prefilters before refrigerated and desiccant dryers
- 6 On refrigerated dryer cold-points or outlets
- 7 On desiccant dryer outlet



FEATURES & BENEFITS

- Electronically level-controlled minimizes loss of costly compressed air
- Easy service with all maintenance parts in a single unit
- Manufactured with corrosion resistant materials
- Silent operation

DIMENSIONS AND SPECIFICATIONS



UFM-D30/D130

UFM-D03/D05/D10

Type	Capacity*						Operating Pressure				Operating Temp.				Connections (NPT)				Dimensions					
	Compressor		Dryer		Filter		Min.		Max.		Min.		Max.		Inlet		Outlet		A		B		C**	
	m ³ /hr	scfm	m ³ /hr	scfm	m ³ /hr	scfm	bar	psi	bar	psi	°C	°F	°C	°F	mm	in.	mm	in.	mm	in.	mm	in.	mm	in.
UFM-D03	170	100	357	210	1,784	1,050	0.83	12	15.9	230	1	34	70	158	13	½	6	¼	117	4.6	66	2.6	150/165	5.9/6.5
UFM-D05	289	170	595	350	2,990	1,760	0.83	12	15.9	230	1	34	70	158	13	½	6	¼	127	5.0	74	2.9	165/178	6.5/7.0
UFM-D10	595	350	1,189	700	5,997	3,530	0.83	12	15.9	230	1	34	70	158	13	½	13	½	157	6.2	74	2.9	211	8.3
UFM-D30***	1,784	1,050	3,585	2,110	17,992	10,590	0.83	12	15.9	230	1	34	60	140	13	½	13	½	163	6.4	94	3.7	211	8.3
UFM-D130	7,798	4,590	15,597	9,180	77,984	45,900	0.83	12	15.9	230	1	34	60	140	18	¾	13	½	180	7.1	119	4.7	251	9.9

* Capacity at 6.9 bar (100 psig), 38° C (100°F), 100% RH.

**UFM-D03 and UFM-D05 have an inlet that can be easily positioned vertically or horizontally.

*** High Pressure (HP) version upon request.

Important Notice: Many factors beyond the control of Donaldson can affect the use and performance of Donaldson products in a particular application, including the conditions under which the product is used. Since these factors are uniquely within the user's knowledge and control, it is essential the user evaluate the products to determine whether the product is fit for the particular purpose and suitable for the user's application. All products, specifications, availability and data are subject to change without notice, and may vary by region or country.



Donaldson Company, Inc.
Minneapolis, MN

donaldson.com
shop.donaldson.com

Australasia 61-02-4350-2066
marketing.australia@donaldson.com

Brazil 55-11-4894-6035
vendas.brasil@donaldson.com

China 86-400-921-7032
info.cn@donaldson.com

EMEA 49-2129-569-0
cap-europe@donaldson.com

India 91-124-4807-400
indiaenquiries@donaldson.com

Japan 81-42-540-4123
ndl-ultrafilter-web@donaldson.com

Korea 82-2-517-3333
cap-kr@donaldson.com

Latin America 52-449-300-2442
industrialair@donaldson.com

North America 800-543-3634
processfilters@donaldson.com

South Africa 27-11-997-6000
samarketing@donaldson.com

Southeast Asia 65-6311-7373
sea.salesenquiry@donaldson.com