

**High pressure filter housings designed for the purification of compressed air and gases.**

Donaldson® HD high pressure filter housings are designed for the purification of compressed air and gases in industrial operations. The housings offer low differential pressure at high flow rates. A wide variety of filter elements are available to meet a broad range of application requirements.

HD housings are available in eight different sizes, ranging from 1/4" to 2" FNPT, and pressure rating 925 psig and 5,800 psig. The HD high pressure filter housings are designed in accordance to ASME VIII, Division 1. Housings are available in aluminum, stainless steel, and carbon steel.



**HD**

**SPECIFICATIONS**

**MATERIALS**

Filter Housing	925 psig: Aluminum (304 SS optional) 5,800 psig: Carbon steel (316 SS optional)
Sealing	Buna

**SURFACE FINISH**

650 to 925 psig: Aluminum anodized
3,600 to 5,800 psig: Carbon steel nickel plated

**CONNECTION**

1/4" to 2" FNPT

**MINIMUM/MAXIMUM OPERATING TEMPERATURE**

+14°F/+176°F

**DIMENSIONS**

**925 PSIG (ALUMINUM)**

Model Number	Capacity (scfm)	Connection (FNPT) (C)	Element Size	Dimensions (inches)				Weight (lbs) W/O Element	Item Number
				Height (A)	Width (B)	Conn. Height (D)	Clearance (E)		
HD0003	144	1/4"	0305	6.5	3.5	5.7	5.1	3.5	1C052250-63
HD0006	288	3/8"	0310	6.5	3.5	5.7	5.1	3.5	1C052251-63
HD0012	576	1/2"	0420	8.1	4.2	7.3	7.5	5.7	1C052263-63
HD0018	864	3/4"	0520	9.1	4.2	8.1	7.5	6.2	1C052264-63
HD0027	1,296	1"	0525	9.3	4.7	8.3	7.5	9.5	1C052265-63
HD0036	1,728	1-1/4"	0725	11.5	4.7	10.1	10.0	10.1	1C052266-63
HD0048	2,304	1-1/2"	0730	12.4	6.0	11.0	10.0	16.3	1C052267-63
HD0072	3,456	2"	1030	16.0	7.3	14.4	14.0	41.7	1C052268-63

**5,800 PSIG (CARBON STEEL)**

Model Number	Capacity (scfm)	Connection (FNPT) (C)	Element Size	Dimensions (inches)				Weight (lbs) W/O Element	Item Number
				Height (A)	Width (B)	Conn. Height (D)	Clearance (E)		
HD0003	900	1/4"	0305	6.7	3.5	5.9	5.1	11.0	1C052550-63
HD0006	1,800	3/8"	0310	6.7	3.5	5.9	5.1	11.5	1C052551-63
HD0012	3,600	1/2"	0420	8.3	4.2	7.5	7.5	19.9	1C052553-63
HD0018	5,400	3/4"	0520	9.3	4.2	8.5	7.5	20.9	1C052554-63
HD0027	8,100	1"	0525	10.0	4.7	8.7	7.5	32.0	1C052555-63
HD0036	10,800	1-1/4"	0725	12.0	4.7	10.7	10.0	35.3	1C052556-63
HD0048	14,400	1-1/2"	0730	13.0	6.0	11.7	10.0	60.6	1C052557
HD0072	21,600	2"	1030	16.6	7.5	15.0	13.5	132.3	1C052558-63

**CAPACITY CORRECTION FACTORS - 925 PSIG**

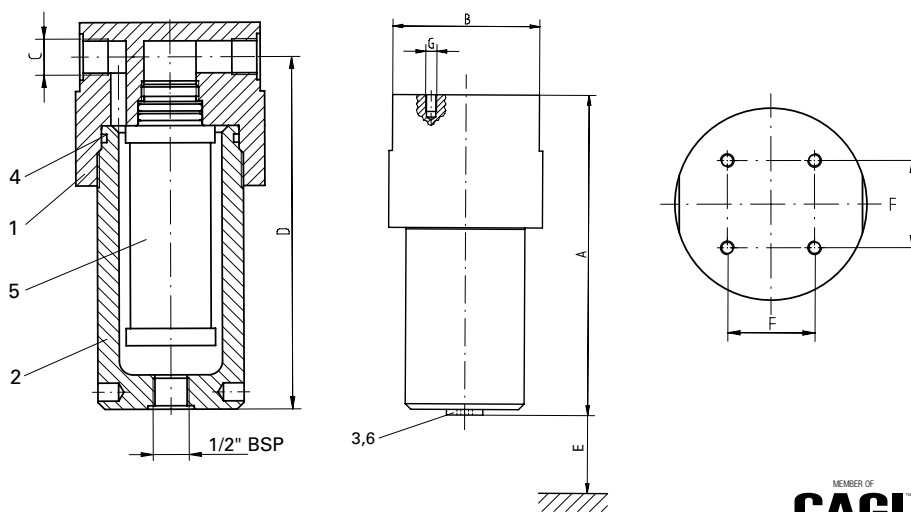
Operating Pressure (psig)	500	550	600	650	700	750	800	850	900	925
Correction Factor	0.55	0.6	0.65	0.71	0.76	0.81	0.87	0.92	0.97	1.00

**CAPACITY CORRECTION FACTORS - 5,800 PSIG**

Operating Pressure (psig)	1000	1500	2000	2500	3000	3500	4000	4500	5000	5800
Correction Factor	0.17	0.26	0.35	0.43	0.52	0.6	0.69	0.78	0.86	1.00

1 Capacities are general recommendations and may vary based on element selection, operating conditions, and allowable pressure losses. To determine capacity at other operating pressures, multiply published capacity value by the correction factor

No.	Description
1	Upper housing bowl
2	Lower housing bowl
3	Screw plug
4	Housing O-Ring
5	Filter Element
6	Sealing



**Important Notice**

Many factors beyond the control of Donaldson can affect the use and performance of Donaldson products in a particular application, including the conditions under which the product is used. Since these factors are uniquely within the user's knowledge and control, it is essential the user evaluate the products to determine whether the product is fit for the particular purpose and suitable for the user's application. All products, specifications, availability and data are subject to change without notice, and may vary by region or country.

**Donaldson Company, Inc.**  
**Minneapolis, MN**  
[donaldson.com](http://donaldson.com)  
[shop.donaldson.com](http://shop.donaldson.com)

**Australasia** 61-02-4350-2066  
 marketing.australia@donaldson.com  
**Brazil** 55-11-4894-6035  
 vendas.brasil@donaldson.com  
**China** 86-400-921-7032  
 info.cn@donaldson.com  
**EMEA** 49-2129-569-0  
 cap-europe@donaldson.com

**India** 91-124-4807-400  
 indiaenquiries@donaldson.com  
**Japan** 81-42-540-4123  
 ndi-ultrafilter-web@donaldson.com  
**Korea** 82-2-517-3333  
 cap-kr@donaldson.com  
**Latin America** 52-449-300-2442  
 industrialair@donaldson.com  
**North America** 800-543-3634  
 processfilters@donaldson.com  
**South Africa** 27-11-997-6000  
 samarketing@donaldson.com  
**Southeast Asia** 65-6311-7373  
 sea.salesenquiry@donaldson.com

**F117039 ENG (10/20) HD High Pressure Filter Housings**  
 © 2019 Donaldson Co., Inc. All Rights Reserved. Donaldson and the color blue are marks of Donaldson Company, Inc. All other marks belong to their respective owners.  
 (Contains Donaldson proprietary technology.)