



P-RL
HIGH FLOW LIQUID
FILTER HOUSINGS

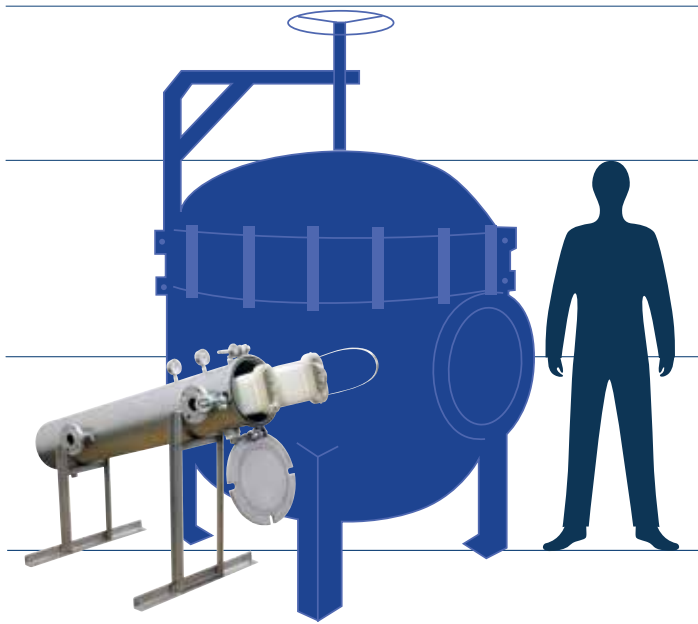
Process Filtration



THE NEW STANDARD IN COARSE LIQUID FILTRATION

The P-RL filter uses two pleated, single-open end cartridges with inside-to-out flow to remove coarse particulate from liquids. The unique filter shape allows more media to be used in a smaller housing.

Applications that could traditionally use standard cartridges or bag filters could significantly benefit from Donaldson's P-RL filter technology – providing greater filtration life in a smaller footprint. Donaldson's P-RL filters result in lower capital expenses, installation costs and operating costs.



LOWER COST OF OWNERSHIP

Smaller housing. Fewer filters. Less downtime. It all adds up to a major cost-savings over the life of the filter housing.

SHORTER. SMALLER FOOTPRINT

Up to 50% shorter housing clears space for other equipment and eliminates the need for scaffolding and other servicing tools. Lighter housings significantly reduce installation costs.

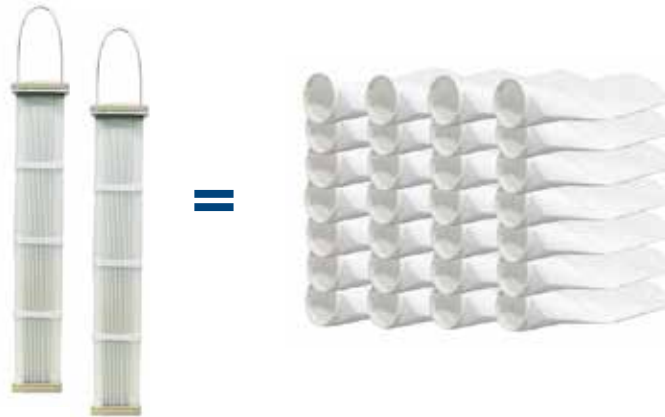
EASY FILTER REPLACEMENT

Servicing time is held to a minimum. Changing filters requires no special tools or auxiliary equipment. A built-in handle allows for quick filter change-outs and holds the filter in the housing for a bypass-free operation. Typical element replacement takes less than 10 minutes.

**Same amount of filtration media
in a smaller package.**

FEWER FILTERS

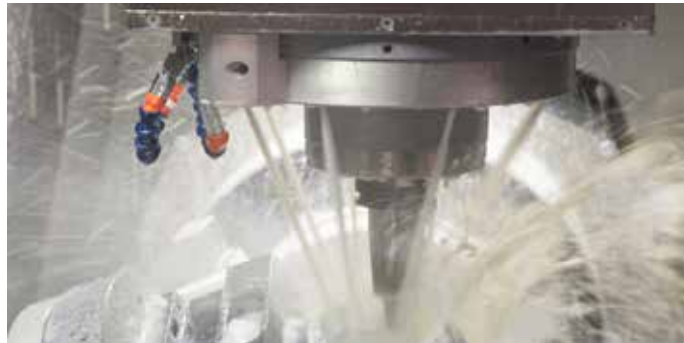
90% fewer filters to change dramatically cuts filter change-out costs related to labor and downtime.



Comparable filter media to a 28 round, #2 bag filter housing.

COARSE PARTICLES IN HIGH VOLUMES

The Donaldson P-RL brings a cost-effective solution for filtering process liquids at coarse micron levels. The P-RL is especially designed to collect particulate in high volumes found in the following applications:



Process and industrial water

Cooling towers

Metal cleaning

Plating solutions

Electronics

Cutting fluids

Petrochemical

RO pre-filtration

Waste water treatment

SPECIFICATIONS

MATERIALS

Filter Housing	304 SS
Filter Housing Gasket	Buna
Hardware	Zinc plated steel
Pressure Gauges	304 SS, glycerine filled
Filter Element Endcaps	High density polyurethane
Filter Element Handle	304 SS
Filter Element Gasket	Silicone
Filter Element Cage	304 SS
Filter Element Media	Polyester

OPERATING CONDITIONS

Housing Design Pressure	150 psig
Design Temperature Range	45°F to 220°F

FLOW DIRECTION

Inside ---> Outside

Allows users to easily and quickly dispose of elements and contaminant as well as prevents particles from escaping downstream.

COMPLIANCE

FDA approved materials.

FILTER EFFICIENCY*

Nominal	10 µm
Absolute	30 µm

CONNECTIONS**

Inlet/Outlet	2" or 4" ANSI / ASME B16.5 Class 150 Flange
Drain Ports	2" FNPT (plugged)
Gauge Ports	1/4" FNPT (shipped with gauges loose)
Vent Ports	1/2" FNPT (plugged)

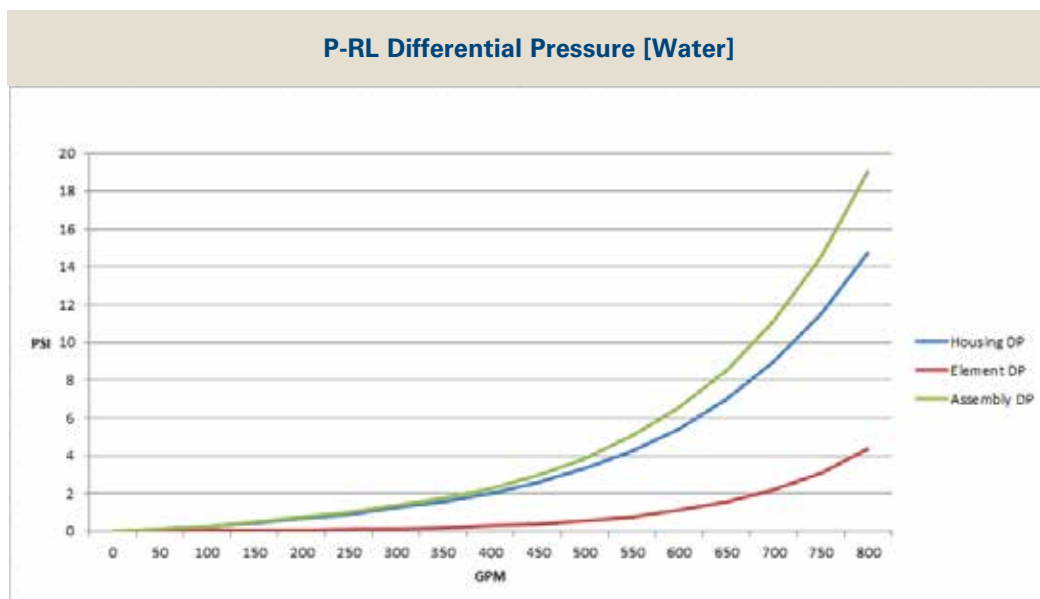
SURFACE FINISH

Inner	Glass bead blast
Outer	Mill finish stainless steel

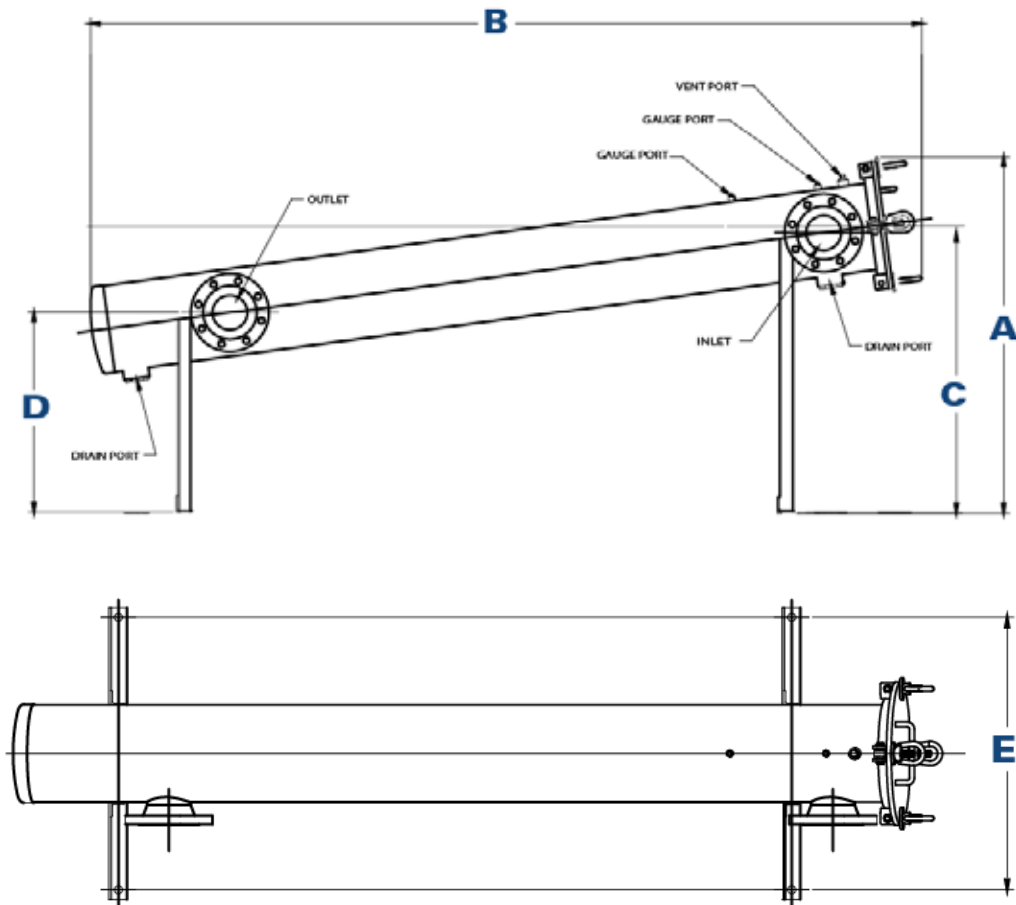
MAXIMUM PRESSURE DROP

20 psi

* Standard media. Additional medias and efficiencies available on request.
 ** Additional connections and lengths available on request.



DIMENSIONS



Description	Recommended Capacity (gpm)	Max Capacity (gpm)	Connection Size (ANSI Flange)	Dimensions (inches)						Element		Weight w/o Elements (lbs)
				Height w/ Legs A	Length B	Inlet Connection Height C	Outlet Connection Height D	Width E	Clearance	Size	Qty	
Housing P-RL Short, 60"	100-200	200	2"	41.7	59.7	32.2	23.0	28.0	40	40"	2	115
Housing P-RL Short, 60"	200-300	400	4"	41.7	59.7	32.2	23.0	28.0	40	40"	2	115
Housing P-RL Long, 96"	300-500	800	4"	40.9	95.7	32.2	23.0	28.0	78	78"	2	276

SUPERIOR FILTRATION. **MAXIMUM PROTECTION.**

Extensive Product Portfolio

- Process air, steam and liquid filtration products
- Performance engineered to sanitary guidelines
- Wide range of filtration media for any application
- Housings, elements, and parts in-stock, ready to ship

Advanced Technology

- Optimized filtration performance and efficiency
- Extensive research and development capabilities
- Advanced design and testing capabilities
- Over 1,000 engineers and scientists worldwide

Unrivalled Support and Expertise

- Expert technical specialists available as resource
- Comprehensive pre- and post-sale support
- Extensive filter analysis and trouble-shooting
- 100 years of successful global manufacturing



Registered



Standard No. 10-04*



Member of



Member of



Member of



Member of



Important Notice

Many factors beyond the control of Donaldson can affect the use and performance of Donaldson products in a particular application, including the conditions under which the product is used. Since these factors are uniquely within the user's knowledge and control, it is essential the user evaluate the products to determine whether the product is fit for the particular purpose and suitable for the user's application. All products, product specifications, availability and data are subject to change without notice, and may vary by region or country.



Donaldson Company, Inc.
Process Filtration
PO Box 1299
Minneapolis, MN
55440-1299 U.S.A.

Tel 800-543-3634 (USA)
Tel 800-343-3639 (within Mexico)
Fax 952-885-4791

processfilters@donaldson.com
donaldsonprocessfilters.com

F117003 (05/17) ENG P-RL High Flow Liquid Filter Housings

© 2015 Donaldson Co., Inc. All Rights Reserved.

Donaldson and the color blue are marks of Donaldson Company, Inc.
All other marks belong to their respective owners.

{Contains Donaldson proprietary technology.}