



PF-EG

SANITARY FILTER HOUSINGS

Process Filtration

Premium stainless steel filter housing for sanitary liquid applications.

Donaldson® PF-EG filter housings are designed for filtration of beverages and other liquids such as pharmaceutical process water, mineral water, beer, wine, soft drinks, and juice. PF-EG filter housings have two options, with premium models being 3-A certified and standard models complying with sanitary design best practices. Both lines are available in over 11 different sizes, offering a wide range of capacity, and Donaldson's broad selection of filter elements will meet the compatibility and retention rating requirements of your process.

APPLICATIONS

- Process Water
- Food & Beverage
- Dairy
- Pharmaceutical process water
- Beer
- Wine
- Soft drinks
- Mineral water
- Juice

SPECIFICATIONS

MATERIALS		CFR TITLE 21
Filter Housing	316L SS	211.65
Attachment Parts	304 SS	211.65
Housing Gasket	PF-EG 0012 to PF-EG 0075: EPDM	177.2600
	PF-EG 0080 and larger: Silicone class VI (other gasket materials available)	177.2600



PF-EG

WORKING PRESSURE AND TEMPERATURE

10 bar @ 150° C (145 psig @ 302° F) based on EPDM gasket

MAXIMUM INLET TEMPERATURE

150° C (302° F) with standard EPDM gasket (higher temperature gaskets are available upon request)

CONNECTION TYPES

Tri-Clamp® (welded ends optional)

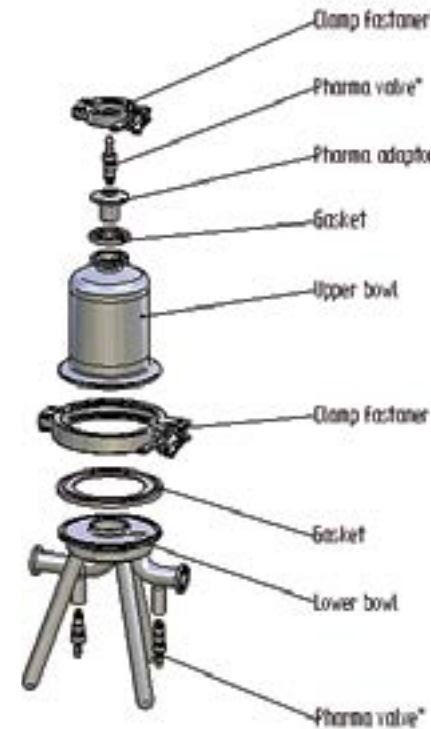
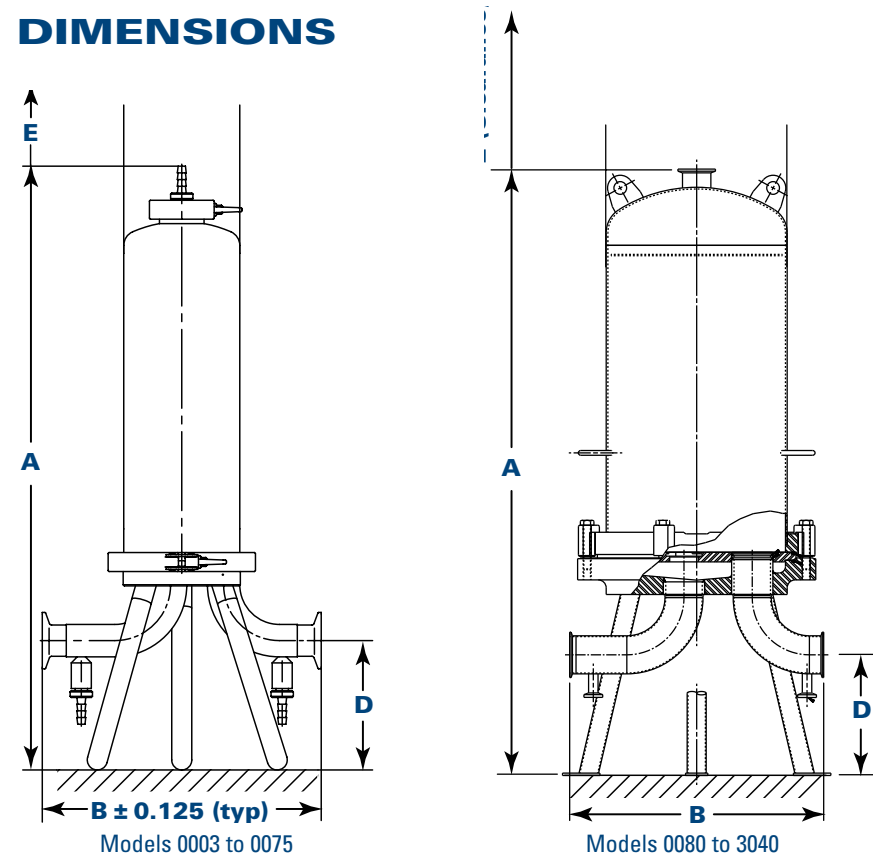
CONNECTIONS	VENT	DRAIN
PF-EG 0012-0075	38 mm (1 1/2") Tri-Clamp® with 6 mm (1/4") BSP Pharma Valve	6 mm (1/4") BSP Pharma Valve
PF-EG 0080-0900	38 mm (1 1/2") Tri-Clamp®	13 mm (1/2") Tri-Clamp®

SURFACE FINISH

Inside	
0012-0075	Electropolished to Ra 32
0080-0900	Nitric passivated to Ra 32
0320-3040	Mechanically polished
Outside	
0012-0075	Electropolished to Ra 30
0080-0900	Nitric passivated to Ra 30
0320-3040	Mechanically polished

* Tri-Clamp is a registered trademark of Ladish Company.

DIMENSIONS



Pharma valves on PF-EG 0003 to 0075 only

PREMIUM 3-A CERTIFIED HOUSINGS

Type	Capacity*		Weight**		Connection (Tri-Clamp®)		Dimensions								Qty	Element Size (Code 7)
	lpm	gpm	kg	lbs	mm	in.	A		B		D		E			
0025	26	7	5.2	11.5	25	1	564	22.2	249	9.8	117	4.6	505	19.9	1	10/30
0050	57	15	6.6	14.5	25	1	818	32.2	249	9.8	117	4.6	762	30.0	1	20/30
0075	76	20	7.9	17.4	25	1	1072	42.2	249	9.8	117	4.6	1016	40.0	1	30/30
0080	91	24	31.8	70.0	38	1½	653	25.7	330	13.0	203	8.0	279	11.0	3	10/30
0150	151	40	35.4	78.0	38	1½	965	38.0	356	14.0	203	8.0	584	23.0	3	20/30
0225	227	60	38.6	85.0	38	1½	1219	48.0	356	14.0	203	8.0	838	33.0	3	30/30
0250	284	75	59.4	131.0	51	2	940	37.0	432	17.0	147	5.8	584	23.0	5	20/30
0375	416	110	65.3	144.0	51	2	1194	47.0	368	14.5	147	5.8	838	33.0	5	30/30
0400	454	120	90.7	200.0	64	2½	1092	43.0	508	20.0	241	9.5	584	23.0	8	20/30
0600	681	180	102.1	225.0	76	3	1346	53.0	635	25.0	241	9.5	838	33.0	8	30/30
0900	814	215	122.5	270.0	76	3	1331	52.4	648	25.5	241	9.5	1041	41.0	12	30/30

* PF-EG capacity based on liquids of 1cP viscosity.
 ** Without filter element, legs included.

DIMENSIONS SANITARY DESIGN HOUSINGS

Type	Capacity*		Weight**		Connection (Tri-Clamp®)		Dimensions								Qty	Element Size (Code 7)
	lpm	gpm	kg	lbs	mm	in.	A		B		D		E			
0320	68	18	19.5	43.0	38	1½	1067	42.0	381	15.0	356	14.0	533	21.0	3	20/30
0330	102	27	21.3	47.0	38	1½	1321	52.0	381	15.0	356	14.0	787	31.0	3	30/30
0340	136	36	23.6	52.0	38	1½	1575	62.0	381	15.0	356	14.0	1041	41.0	3	40/30
0520	114	30	20.0	44.0	51	2	1067	42.0	457	18.0	305	12.0	533	21.0	5	20/30
0530	170	45	22.2	49.0	51	2	1321	52.0	457	18.0	305	12.0	787	31.0	5	30/30
0540	227	60	24.0	53.0	51	2	1575	62.0	457	18.0	305	12.0	1041	41.0	5	40/30
0820	182	48	29.9	66.0	51	2	1092	43.0	483	19.0	305	12.0	533	21.0	8	20/30
0830	273	72	33.1	73.0	51	2	1346	53.0	483	19.0	305	12.0	787	31.0	8	30/30
0840	363	96	35.8	79.0	51	2	1600	63.0	483	19.0	305	12.0	1041	41.0	8	40/30
1230	409	108	66.2	146.0	64	2½	1422	56.0	584	23.0	330	13.0	787	31.0	12	30/30
1240	545	144	69.9	154.0	64	2½	1676	66.0	584	23.0	330	13.0	1041	41.0	12	40/30
1830	613	162	68.0	150.0	64	2½	1448	57.0	635	25.0	330	13.0	787	31.0	18	30/30
1840	818	216	74	163.0	64	2½	1702	67.0	635	25.0	330	13.0	1041	41.0	18	40/30
2430	818	216	105	231.0	64	2½	1473	58.0	635	25.0	330	13.0	787	31.0	24	30/30
2440	1090	288	114	251.0	64	2½	1727	68.0	635	25.0	330	13.0	1041	41.0	24	40/30
3030	1022	270	109	240.0	76	3	1499	59.0	762	30.0	279	11.0	787	31.0	30	30/30
3040	1363	360	117	258.0	76	3	1753	69.0	762	30.0	279	11.0	1041	41.0	30	40/30

PF-EG and PG-EG single filter element housings meet 3-A Sanitary Standards



Important Notice
 Many factors beyond the control of Donaldson can affect the use and performance of Donaldson products in a particular application, including the conditions under which the product is used. Since these factors are uniquely within the user's knowledge and control, it is essential the user evaluate the products to determine whether the product is fit for the particular purpose and suitable for the user's application. All products, specifications, availability and data are subject to change without notice, and may vary by region or country.

Donaldson Company, Inc.
 Minneapolis, MN
donaldson.com
shop.donaldson.com

Australasia 61-02-4350-2066
 marketing.australia@donaldson.com

Brazil 55-11-4894-6035
 vendas.brasil@donaldson.com

China 86-400-921-7032
 info.cn@donaldson.com

EMEA 49-2129-569-0
 cap-europe@donaldson.com

India 91-124-4807-400
 indiaenquiries@donaldson.com

Japan 81-42-540-4123
 ndl-ultrafilter-web@donaldson.com

Korea 82-2-517-3333
 cap-kr@donaldson.com

Latin America 52-449-300-2442
 industrialair@donaldson.com

North America 800-543-3634
 processfilters@donaldson.com

South Africa 27-11-997-6000
 samarketing@donaldson.com

Southeast Asia 65-6311-7373
 sea.salesenquiry@donaldson.com

F117004 ENG (05/22) PF-EG Sanitary Filter Housings ©2009-2022 Donaldson Co., Inc. All Rights Reserved. Donaldson and the color blue are marks of Donaldson Company, Inc. All other marks belong to their respective owners. (Contains Donaldson proprietary technology.)