

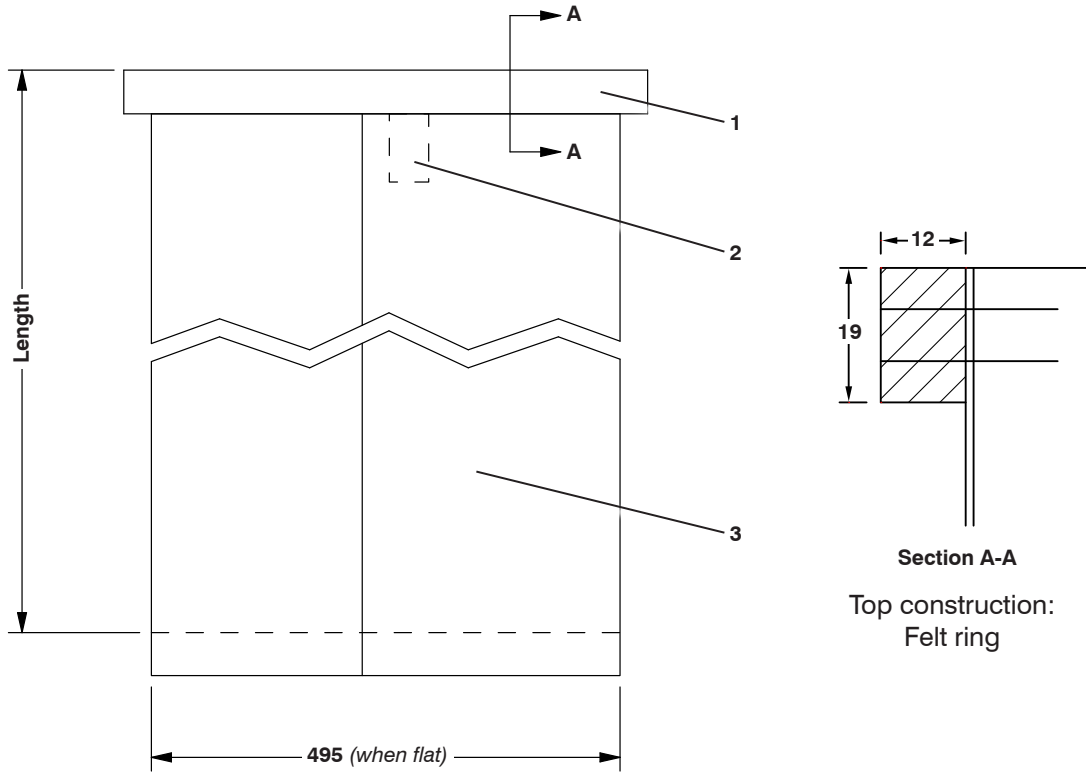


Donaldson
FILTRATION SOLUTIONS

DATA SHEET

Replacement Bags

Dalamic style



Envelope bag with felt ring

SPECIFICATION

Item Description

- | | |
|---|----------------|
| 1 | Felt ring |
| 2 | Label (inside) |
| 3 | Filter bag |

Length 700, 1000, 1250,
1500, 1750 or 2000 mm

Media alternatives:

- | | | | |
|--------------------|--------------------|-------------------------------------|---------------------------|
| ■ Dura-Life® | ■ Polypropylene AS | ■ Tetratex | ■ P84 |
| ■ Dura-Life® AS | ■ Polyester | ■ Tetratex AS | ■ Tetratex "Contact" |
| ■ Dura-Life® OH | ■ Polyester AS | ■ Dralon (homopoly-
mer acrylic) | ■ Tetratex AS "Contact" |
| ■ Dura-Life® OH AS | ■ Polyester OH | ■ Aramid | ■ Polyester OH EU Food |
| ■ Polypropylene | ■ Polyester OH AS | | ■ Polyester OH AS EU Food |

Humberstone Lane
Thurmaston
Leicester LE4 8HP
England

Tel +44 (0)116 269 6161
Fax +44 (0)116 269 3028

Email: IAF-uk@donaldson.com

Research Park Building No. 1303
Interleuvenlaan 1
B-3001 Leuven (Heverlee)
Belgium

Tel +32 (0)16 383 970
Fax +32 (0)16 383 938

Email: IAF-europe@donaldson.com

Publication 421-5029-GB • Rev. 03 • 0413

Donaldson reserves the right to change or discontinue any model or specification at any time and without notice. Freedom from patent restrictions must not be assumed.

www.donaldson.com