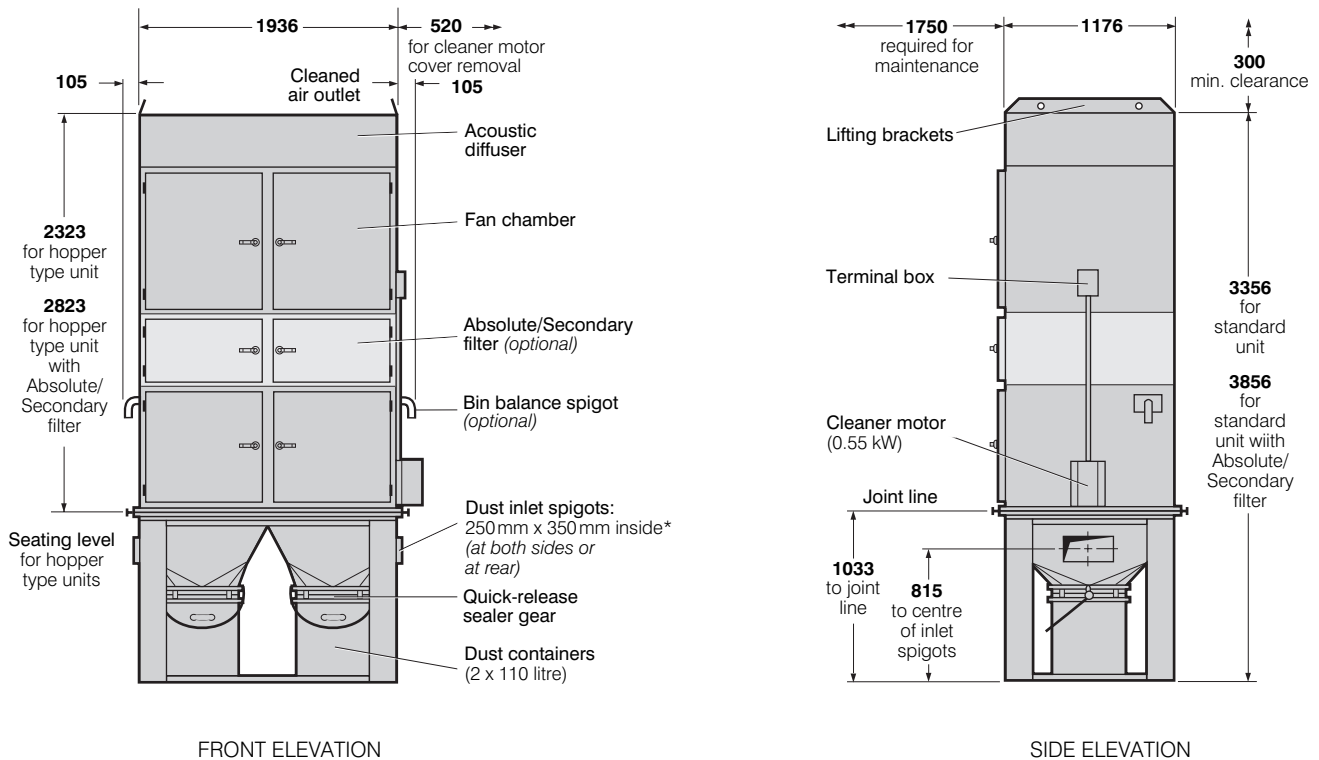


Unimaster Dust Control Units

Series UMA 750



UMA 750 standard and hopper type dust control unit

Model UMA 758SF illustrated. Suitable for inside locations

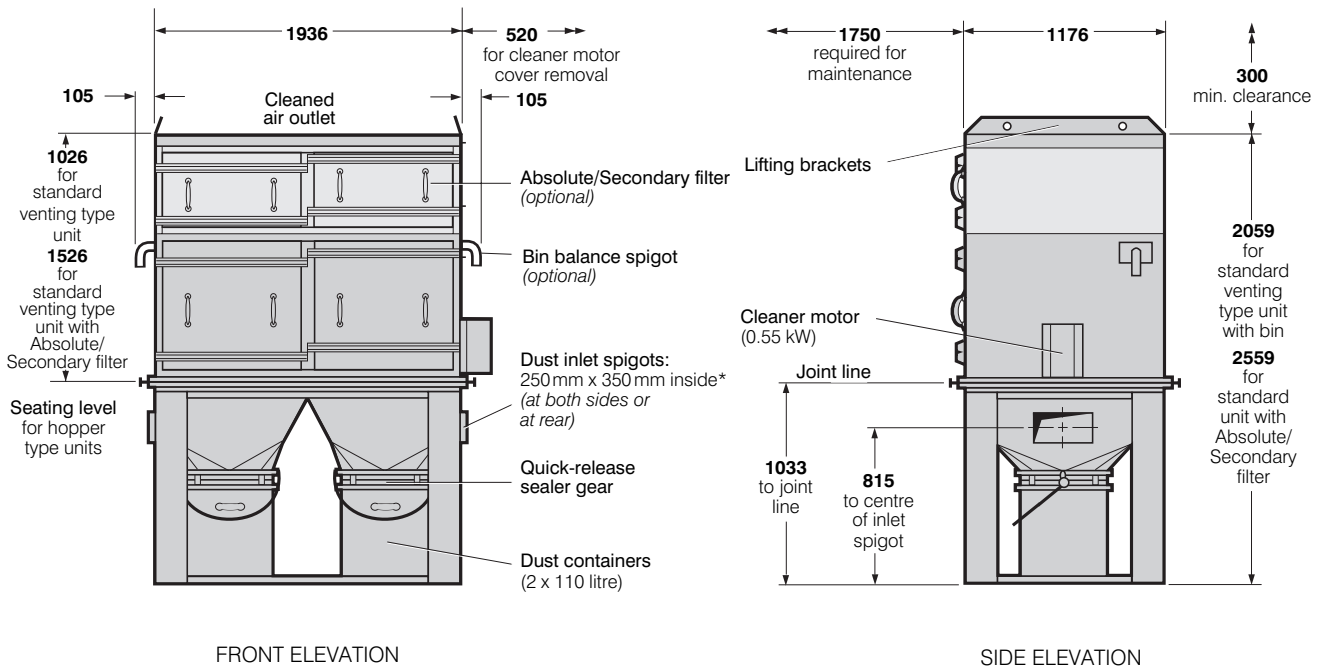
SPECIFICATION				
Unit type	Filtration area	Fan type	Motor rating	Approximate net weight
758	70m ²	K15	11.0 kW	1160 kg
		K18	15.0 kW	1205 kg
		K21	18.5 kW	1200 kg
758SF	70m ²	K15	11.0 kW	1315 kg
		K18	15.0 kW	1360 kg
		K21	18.5 kW	1355 kg
758AB	70m ²	K15	11.0 kW	1335 kg
		K18	15.0 kW	1380 kg
		K21	18.5 kW	1375 kg
750H	70m ²	K15	11.0 kW	960 kg
		K18	15.0 kW	1000 kg
		K21	18.5 kW	995 kg
750HSF	70m ²	K15	11.0 kW	1115 kg
		K18	15.0 kW	1155 kg
		K21	18.5 kW	1150 kg
750HAB	70m ²	K15	11.0 kW	1135 kg
		K18	15.0 kW	1175 kg
		K21	18.5 kW	1170 kg

*DCE tolerance — 0mm to + 2mm (NOTE: Outside dimensions of duct connectors must not exceed inside dimensions of inlets)

Publication 1576E (GB) • 0702

Donaldson Torit DCE reserve the right to alter design without notice. Freedom from patent restrictions must not be assumed.

Dalamatic Dust Control Units – Series UMA 750

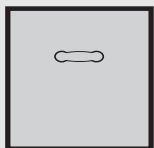


UMA 750 venting type dust control units

Model UMA 758VSF illustrated. Suitable for inside locations

SPECIFICATION			
Unit type	Filtration area	Approximate net weight	
758V	70m ²	715 kg	
758VSF	70m ²	870 kg	
758VAB	70m ²	890 kg	
750V	70m ²	515 kg	
750VSF	70m ²	665 kg	
750VAB	70m ²	685 kg	

*DCE tolerance — 0mm to + 2mm (NOTE: Outside dimensions of duct connectors must not exceed inside dimensions of inlets)

 110 litre (4 cu.ft.)	DUST CONTAINER				TYPICAL DUST WEIGHTS	
	SIZE	Base dia.	Height	Approx net wt.	DUST	DENSITY with 50% voidage, in kg/litre
	110 litre	550	500	8 kg	Sander	0.13
					Graphite	0.80
					Sand	1.33
					Iron	3.58
					Steel	3.72

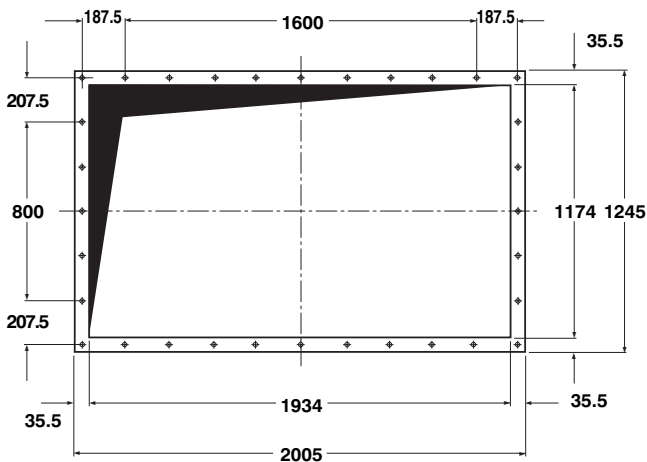
A reasonable total load for removal by hand would be 25 kg

DESIGN LIMITS (standard equipment)

Temperature range: -10° to +40°C
Dimension tolerances: ± 3 mm on main dimensions
 ± 2 mm on detail dimensions

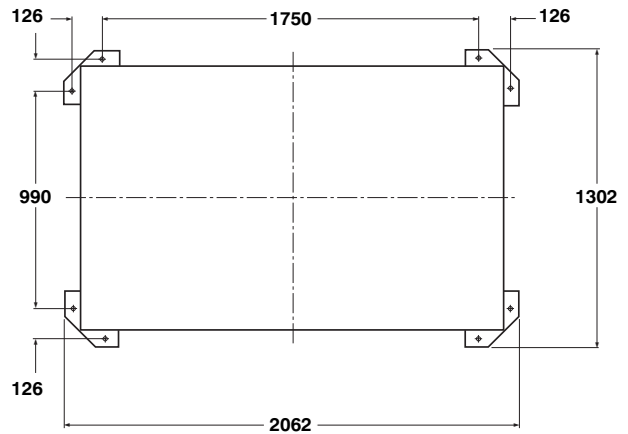
ELECTRICAL REQUIREMENTS

Unimaster controller Fan type units: ECTSD or UCSD
 Venting type units: ECTV or UCV
 Suitable for a range of three phase, 50-60 Hz operating voltages. (For full details refer to manual 1774)



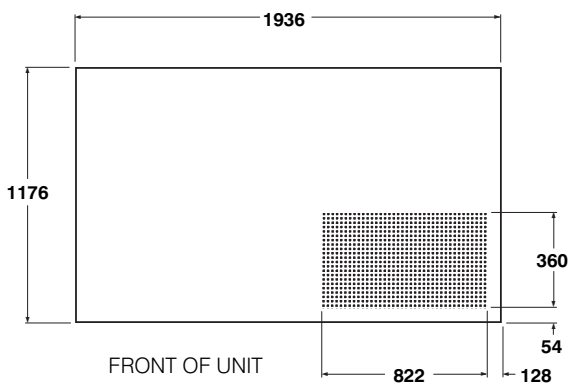
Aperture and mounting flange details for hopper type units

All bolt holes 12 mm dia. for M10 bolts
Pitch centres: 200 mm except where shown



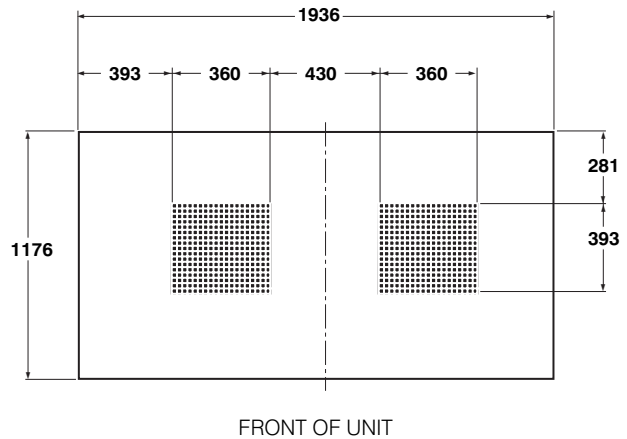
Foundation details for standard units

All holes 20 mm dia. for suitable fixings (minimum M10)

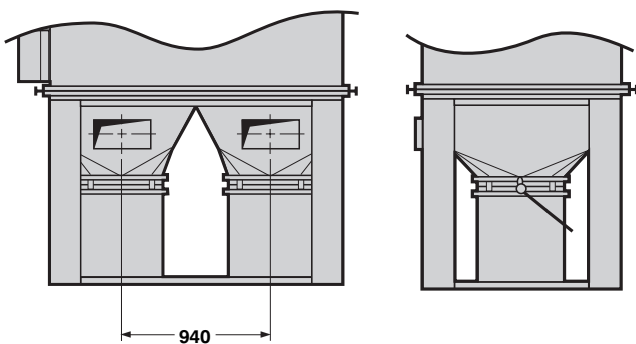


Cleaned air outlet details for standard and hopper type unit

Outlet grille shown as punched



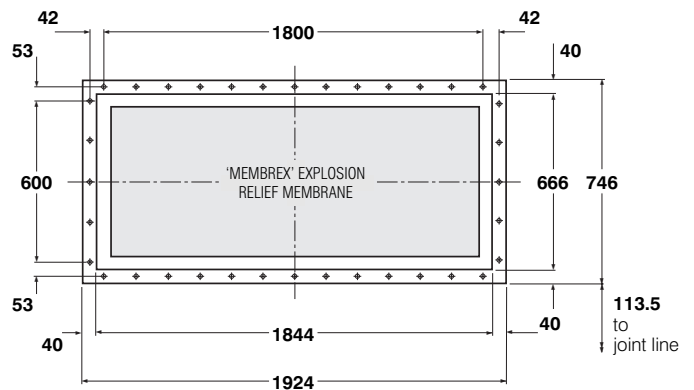
Cleaned air outlet details for venting type unit



REAR ELEVATION

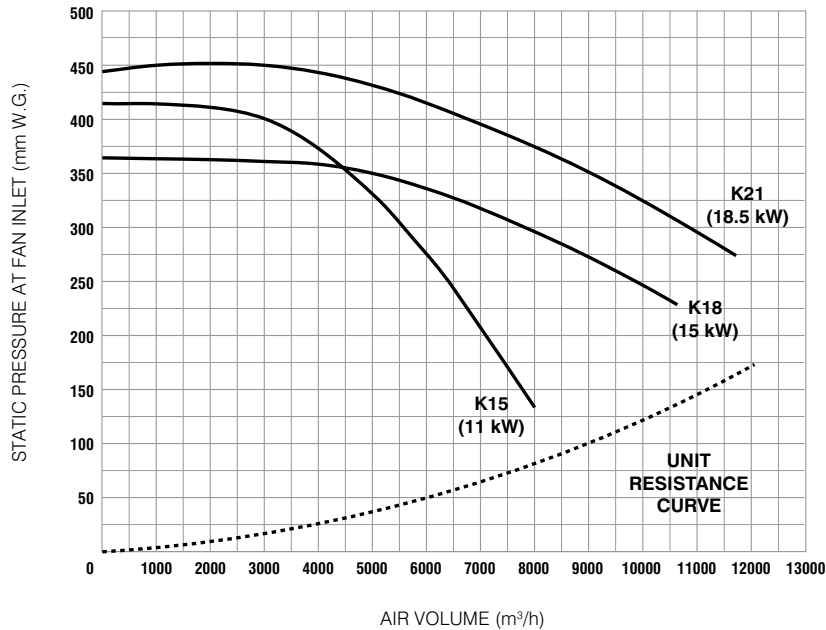
SIDE ELEVATION

Rear dust inlet spigots



Explosion relief flange mounting details

All vertical holes drilled 10 mm dia. for M8 bolts
All horizontal holes threaded to accept M8 bolts
Pitch centres: 150 mm
Mounting flange projects 100 mm beyond rear of unit



UMA 750 performance curves

FAN SELECTION

These curves indicate static pressure available at fan inlet for a given volume, when fitted inside a Unimaster unit.

To select the most suitable fan for a given application:

- 1 Determine the air volume, in m³/h, needed to entrain the dust.
- 2 Read off the unit resistance, in mm WG, at air volume required.
- 3 Assess pressure drop across filter bags prior to cleaning, usually 50-100 mm W.G.
- 4 Estimate pressure drop through connected system – i.e. between point of entrainment and unit inlet.
- 5 Sum of 2, 3, and 4 = WG required.
- 6 Consult graph for fan performances available.

WEIGHTED SOUND PRESSURE LEVELS

All readings were taken in normal industrial areas, i.e. semi-reverberant surroundings, with local equipment silent, at 1.0 metre radius from the equipment housing and 1.6 metres above base level, using a precision sound level meter and octave filter.

K15
77dB(A)*

K18
79dB(A)

K21
80dB(A)*

Noise measurements of installed equipment may vary due to site conditions

* Estimated values

NOISE LEVELS

Machinery noise levels are an important consideration in the design and selection of new equipment.

Several EC Directives and National Laws/Regulations adopting these directives make reference to airbourne noise emissions. Actions that employers are required to comply with if employees are subjected to a daily personal noise exposure level of 85 dB(A) or more are also specified.

All UMA750 units, when fitted with an acoustic diffuser, secondary filter or absolute filter, operating an 8 hour shift, are below this action limit.



www.toritdce.com
www.donaldson.com

Humberstone Lane
Thurmaston
Leicester LE4 8HP
England

Tel +44 (0)116 269 6161
Fax +44 (0)116 269 3028

Email: toritdce.uk@mail.donaldson.com

Research Park Zone 1
Interleuvenlaan 1
B-3001 Leuven (Heverlee)
Belgium

Tel +32 (0)16 383 970
Fax +32 (0)16 383 938

Email: toritdce.be@mail.donaldson.com