

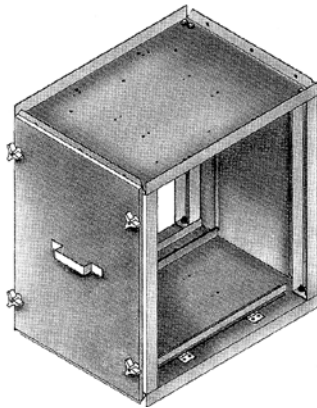


2 x 2 Auto-Lok housing with a prefilter in the upper-right corner

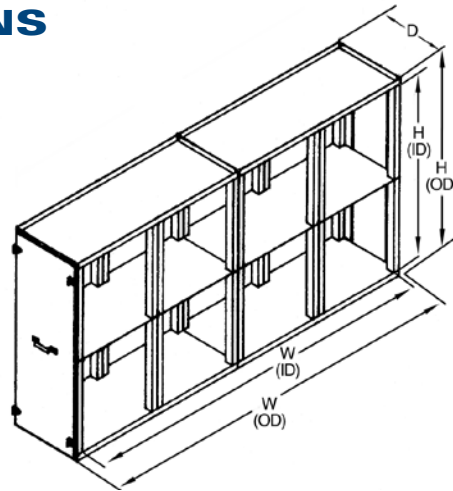
PROVIDES A STURDY HOUSING FOR ASHRAE AFTERFILTERS

- Modular construction specifically designed to integrate with any Donaldson®Torit® dust collection system
- Provides backup filtration in the event of dust collector leakage
- Pressure gauge identifies service requirements for better performance monitoring capabilities
- Access from both sides provides easy filter changeout with no tools
- Dustfoe® 95 ASHRAE filter provides 95% efficiency per ASHRAE 52-76
- Configured to hold 1, 2, 3, 4, 6, 8, 9, or 12 Dustfoe 95% ASHRAE filters and Air-O-J™ prefilters
- Compact, self-contained unit designed for flexible floor placement to conserve space
- Durable construction:
 - 16 gauge galvanized steel resists rust and corrosion
 - Nonwelded construction eliminates rust at welding sites
 - Notched corners on upper surface prevent collection of water in outdoor applications

DIMENSIONS & SPECIFICATIONS



1 x 1 Auto-Lok housing



2 x 4 Auto-Lok housing

Modules	Capacity		Dimensions			
			ID		OD	
	cfm	m ³ /h	in	mm	in	mm
1 x 1	2,000	3,397	23.74 x 20.86 x 18.12	603.00 x 529.84 x 460.25	26.74 x 23.62 x 18.12	679.20 x 529.84 x 460.25
1 x 2	4,000	6,795	23.74 x 44.48 x 18.12	603.00 x 1129.79 x 460.25	26.74 x 47.24 x 18.12	679.20 x 1129.79 x 460.25
1 x 3	6,000	10,192	23.74 x 68.10 x 18.12	603.00 x 1729.74 x 460.25	26.74 x 70.86 x 18.12	679.20 x 1729.74 x 460.25
1 x 4	8,000	13,589	23.74 x 91.66 x 18.12	603.00 x 2328.16 x 460.25	26.74 x 94.42 x 18.12	679.20 x 2328.16 x 460.25
2 x 1	4,000	6,795	47.54 x 20.86 x 18.12	1207.52 x 529.84 x 460.25	50.54 x 23.62 x 18.12	1283.72 x 529.84 x 460.25
2 x 2	8,000	13,589	47.54 x 44.48 x 18.12	1207.52 x 1129.79 x 460.25	50.54 x 47.24 x 18.12	1283.72 x 1129.79 x 460.25
2 x 3	12,000	20,384	47.54 x 68.10 x 18.12	1207.52 x 1729.74 x 460.25	50.54 x 70.68 x 18.12	1283.72 x 1729.74 x 460.25
2 x 4	16,000	27,178	47.54 x 91.66 x 18.12	1207.52 x 2328.16 x 460.25	50.54 x 94.42 x 18.12	1283.72 x 2328.16 x 460.25
3 x 1	6,000	10,192	71.34 x 20.86 x 18.12	1812.04 x 529.84 x 460.25	74.34 x 23.62 x 18.12	1888.24 x 529.84 x 460.25
3 x 2	12,000	20,384	71.34 x 44.48 x 18.12	1812.04 x 1129.79 x 460.25	74.34 x 47.24 x 18.12	1888.24 x 1129.79 x 460.25
3 x 3	18,000	30,576	71.34 x 68.10 x 18.12	1812.04 x 1729.74 x 460.25	74.34 x 70.68 x 18.12	1888.24 x 1729.74 x 460.25
3 x 4	24,000	40,768	71.34 x 91.66 x 18.12	1812.04 x 2328.16 x 460.25	74.34 x 94.42 x 18.12	1888.24 x 2328.16 x 460.25

The unit is designed to handle up to 3" (76.2 mm) of positive static pressure. It is not designed for negative pressure applications. All units include housing, Dustfoe filters and Air-O-J prefilters. All interface flanges for customer ductwork are 1-1/2" (38.1 mm) wide and are located outside of the airstream. Filters are 24" x 24" (609.6mm x 609.6mm) nominal.

EQUIPMENT OPTIONS

Gauge Kit, 4228601, includes Magnehelic®* gauge, tubing, and connection fittings.

* Magnehelic is a registered trademark of Dwyer Instruments, Inc.

The Auto-Lok housing is NOT intended for outdoor installation. If the housing is installed outdoors, provisions should be made to protect the housing from the elements.

Significantly improve the performance of your collector with genuine Donaldson Torit replacement filters and parts. **Call Donaldson Torit at 800-365-1331.**

Important Notice

Many factors beyond the control of Donaldson can affect the use and performance of Donaldson products in a particular application, including the conditions under which the product is used. Since these factors are uniquely within the user's knowledge and control, it is essential the user evaluate the products to determine whether the product is fit for the particular purpose and suitable for the user's application. All products, product specifications, availability and data are subject to change without notice, and may vary by region or country.



Donaldson Company, Inc.
Minneapolis, MN
donaldson.com • shop.donaldson.com

North America
Email: donaldson@donaldson.com
Phone: (USA): 800-365-1331 • (MX): 800-343-3639

Australasia
Email: marketing.australia@donaldson.com
Phone: +61 2 4350 2000
Toll Free: (AU) 1800 345 837 • (NZ) 0800 743 387

F118099 ENG (06/18) Auto-Lok After Filter Housing ©2011-2018 Donaldson Company, Inc.

Donaldson, Torit, Auto-Lok and the color blue are marks of Donaldson Company, Inc. All other marks belong to their respective owners.

China IAF
Email: info.cn@donaldson.com
Phone: (86) 400-820-1038

Donaldson Europe B.V.B.A.
Email: IAF-europe@donaldson.com
Phone: + 32 (0) 16 38 38 11

India
Email: marketing.India@donaldson.com
Phone: +91 124 4807400
Toll Free: 18001035018

Latinoamerica
Email: IndustrialAir@donaldson.com
Phone: +52 449 300 2442

South Africa
Email: SAMarketing@donaldson.com
Phone: +27 11 997 6000

Southeast Asia IAF
Email: IAF.SEA@donaldson.com
Phone: (65) 63117373