

Donaldson®
Torit®

EASY DUCT™



EASY DUCT - AN INVESTMENT IN YOUR FUTURE

LOWER COST THAN CONVENTIONAL JOINING METHODS

Easy Duct™ clamp-together ducting eliminates rivets, screws, welds and other time-consuming and costly joining methods. The Easy Duct adjustable nipple also telescopes in length to eliminate the need for precise measurements and wasted parts due to improper measuring. Thanks to the patented Easy Duct design, straight piping, elbows and branch pieces clamp easily together in seconds and can be put together and taken apart with no special tools. That means you don't have to throw away your existing ducting each time you make a floor plan change.

LASER WELDED

- Smooth. No hang up interiors and virtually seamless exterior finish that allows fewer bug harbors and snag opportunities
- Stronger, air-tight longitudinal seams
- Rounder circumferences for easier clamping and tighter adjustable nipple seals

QUICK AND STRONG ASSEMBLY

The Easy Duct system begins with pipes and fittings (i.e. branches, elbows, pipes, hoods, and adapters from 3" to 24" in diameter) that have been machined so that each connecting end has double-rolled edges. When the Easy Duct clamp (complete with built-in gasket) is snapped into place, the resulting seal is strong and tight enough for almost all dust collection and solid materials conveying applications.

- Galvanized or stainless steel
- No welds - No rivets - No screws - No precise measurements required
- Your employees can handle many installations themselves
- Perfect for new installations or changes to existing systems
- Handles dusts, chemicals, food, fumes and more
- Clean outs and replacements are a snap
- Easy to take apart and reuse

DECREASED DOWNTIME

Thanks to the Easy Duct clamp together design, installations, clean outs and changes take only a fraction of the time it takes for traditional ducting. That means reduced down-time for your operations.

EFFECTIVE FOR NEW INSTALLATIONS AND EXISTING SYSTEMS

Many of the largest manufacturing facilities being built in the US today go online with complete Easy Duct systems. Easy Duct also connects easily to existing ducting systems. Because Easy Duct can be taken apart and reused, it quickly accommodates floor plan changes and machine replacements.

VERSATILE APPLICATIONS

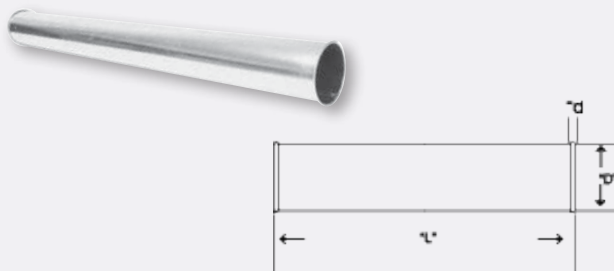
A partial listing of materials collected or conveyed through Easy Duct includes: sawdust, metal grindings, printing powder, plastic pellets, dry cement, carbon black, smoke, fumes, grains, lime, wood chips, mists, toner dusts, paper trim, cocoa, and hundreds of others.

Call for a FREE analysis of how Easy Duct can cut your overall ducting and downtime costs.

EASY TO INSTALL

PIPE

Laser Welded Seam with Rolled Ends. 3" is Lock Formed. Connects quickly and easily with the QF clamp.

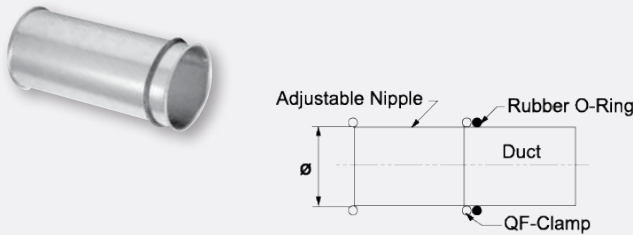


* Add -100000 to part number for galvanized
Add -200000 to part number for stainless steel

DIAMETER D (in)	PART NO.*	GAUGE		ROLL d	LENGTH L (in)
		GALV.	SS		
3	3200-0300	22	22	0.2	59.25
4	3200-0400	22	22	0.2	59.25
5	3200-0500	22	22	0.2	59.25
6	3200-0600	22	22	0.2	59.25
7	3200-0700	22	22	0.3	59.06
8	3200-0800	22	22	0.3	59.06
9	3200-0900	22	22	0.3	59.06
10	3200-1000	22	22	0.3	58.75
11	3200-1100	22	22	0.3	58.75
12	3200-1200	22	22	0.4	58.75
13	3200-1300	20	20	0.4	58.75
14	3200-1400	20	20	0.4	58.75
15	3200-1500	20	20	0.4	58.75
16	3200-1600	20	20	0.4	58.75
17	3200-1700	20	20	0.4	58.75
18	3200-1800	20	20	0.4	58.75
20	3200-2000	20	20	0.4	58.75
22	3200-2200	20	20	0.4	58.75
24	3200-2400	20	20	0.4	58.75

ADJUSTABLE NIPPLE WITH O-RING

Used to provide variable length adjustment of Easy Duct System. Black O-Ring included.



* Add -100000 to part number for galvanized
Add -200000 to part number for stainless steel

DIAMETER D (in)	PART NO.*	LENGTH L (in)	GAUGE	
			GALV.	SS
3	3202-0300	11 1/4	22	22
4	3202-0400	11 1/4	22	22
5	3202-0500	11 1/4	22	22
6	3202-0600	11 1/4	22	22
7	3202-0700	11 1/8	22	22
8	3202-0800	11	22	22
9	3202-0900	11	22	22
10	3202-1000	10 7/8	22	22
11	3202-1100	10 5/8	22	22
12	3202-1200	10 5/8	22	22
13	3202-1300	10 5/8	20	20
14	3202-1400	10 5/8	20	20
15	3202-1500	10 5/8	20	20
16	3202-1600	10 5/8	20	20
17	3202-1700	10 5/8	20	20
18	3202-1800	10 5/8	20	20
20	3202-2000	10 5/8	20	20
22	3202-2200	10 5/8	20	20
24	3202-2400	10 5/8	20	20

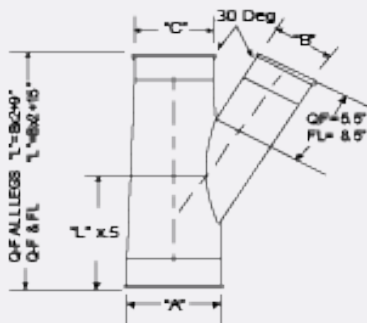
* Add -100000 to part number for galvanized. Add -200000 to part number for stainless steel

BRANCH

When ordering specify A, B, C.
End Styles: Easy Duct (standard), Flanged, or Raw



Standard 30°
Optional 45°



A – B ≥ B – C
Use this formula to determine if a reducer is needed at C

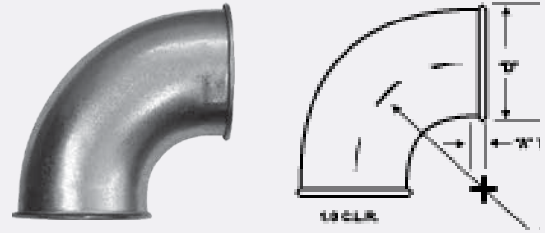
DIAMETER A (in)	PART NO.	GAUGE	
		GALV.	SS
3	3220-03XX	22	22
4	3220-04XX	22	22
5	3220-05XX	22	22
6	3220-06XX	22	22
7	3220-07XX	22	22
8	3220-08XX	22	22
9	3220-09XX	22	22
10	3220-10XX	22	22
11	3220-11XX	22	22
12	3220-12XX	22	22
13	3220-13XX	20	20
14	3220-14XX	20	20
15	3220-15XX	20	20
16	3220-16XX	20	20
17	3220-17XX	20	20
18	3220-18XX	20	20
20	3220-20XX	20	20
22	3220-22XX	20	20
24	3220-24XX	20	20
26	3220-26XX	18	18
28	3220-28XX	18	18
30	3220-30XX	18	18
32	3220-32XX	18	18
34	3220-34XX	18	18
36	3220-36XX	18	18
38	3220-38XX	18	18
40	3220-40XX	18	18

* Call 800 number for part number & pricing

SIMPLE TO MODIFY

ELBOW - STANDARD RADIUS

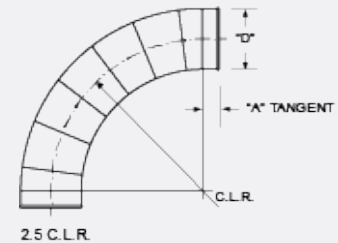
Press Formed



DIAMETER D (in)	90°		60°		45°		30°		CLR ¹		STYLE ²		GAUGE		TANGENTS (in)	
	PART NO. *	PART NO. *	PART NO. *	PART NO. *	PART NO. *	PART NO. *	GALV.	SS	GALV.	SS	GALV.	SS	GALV.	SS	GALV.	SS
3	3210-0390-103000	3210-0360-103000	3210-0345-103000	3210-0330-103000	1.0	1.5	P	T	24	14	2.25	2				
4	3210-0490-104000	3210-0460-104000	3210-0445-104000	3210-0430-104000	1.0	1.5	P	T	24	14	1.32	2				
5	3210-0590-105000	3210-0560-105000	3210-0545-105000	3210-0530-105000	1.0	1.5	P	T	24	14	1.32	2				
6	3210-0690-106000	3210-0660-106000	3210-0645-106000	3210-0630-106000	1.0	1.5	P	T	24	14	1.32	2				
7	3210-0790-107000	3210-0760-107000	3210-0745-107000	3210-0730-107000	1.0	1.5	P	S	24	22	1.32	2.25				
8	3210-0890-112000	3210-0860-112000	3210-0845-112000	3210-0830-112000	1.5	1.5	S	S	22	22	2.25	2.25				
9	3210-0990-113500	3210-0960-113500	3210-0945-113500	3210-0930-113500	1.5	1.5	S	S	22	22	2.25	2.25				
10	3210-1090-115000	3210-1060-115000	3210-1045-115000	3210-1030-115000	1.5	1.5	S	S	22	22	2.25	2.25				
11	3210-1190-116500	3210-1160-116500	3210-1145-116500	3210-1130-116500	1.5	1.5	S	S	22	22	2.25	2.25				
12	3210-1290-118000	3210-1260-118000	3210-1245-118000	3210-1230-118000	1.5	1.5	S	S	22	22	2.25	2.25				
13	3210-1390-119500	3210-1360-119500	3210-1345-119500	3210-1330-119500	1.5	1.5	S	S	20	20	2.25	2.25				
14	3210-1490-121000	3210-1460-121000	3210-1445-121000	3210-1430-121000	1.5	1.5	S	S	20	20	2.25	2.25				
15	3210-1590-122500	3210-1560-122500	3210-1545-122500	3210-1530-122500	1.5	1.5	S	S	20	20	2.25	2.25				
16	3210-1690-124000	3210-1660-124000	3210-1645-124000	3210-1630-124000	1.5	1.5	S	S	20	20	2.25	2.25				
17	3210-1790-125500	3210-1760-125500	3210-1745-125500	3210-1730-125500	1.5	1.5	S	S	20	20	2.25	2.25				
18	3210-1890-127000	3210-1860-127000	3210-1845-127000	3210-1830-127000	1.5	1.5	S	S	20	20	2.25	2.25				
20	3210-2090-130000	3210-2060-130000	3210-2045-130000	3210-2030-130000	1.5	1.5	S	S	20	20	2.25	2.25				
22	3210-2290-133000	3210-2260-133000	3210-2245-133000	3210-2230-133000	1.5	1.5	S	S	20	20	2.25	2.25				
24	3210-2490-136000	3210-2460-136000	3210-2445-136000	3210-2430-136000	1.5	1.5	S	S	20	20	2.25	2.25				

Elbow - long radius

Segmented



DIAMETER D (in)	90°		60°		45°		30°		CLR ¹		STYLE ²		GAUGE		TANGENTS	
	PART NO. *	PART NO. *	PART NO. *	PART NO. *	PART NO. *	PART NO. *	GALV.	SS	GALV.	SS	GALV.	SS	GALV.	SS	GALV.	SS
3	3210-0390-104500	3210-0360-104500	3210-0345-104500	3210-0330-104500	1.5	2.5	P	T	24	14	2	2				
4	3210-0490-106000	3210-0460-106000	3210-0445-106000	3210-0430-106000	1.5	2.5	P	T	24	14	2	2				
5	3210-0590-107500	3210-0560-107500	3210-0545-107500	3210-0530-107500	1.5	2.5	P	T	24	14	2	2				
6	3210-0690-109000	3210-0660-109000	3210-0645-109000	3210-0630-109000	1.5	2.5	P	T	24	14	2	2				
7	3210-0790-110500	3210-0760-110500	3210-0745-110500	3210-0730-110500	1.5	2.5	P	S	24	22	2	2.25				
8	3210-0890-120000	3210-0860-120000	3210-0845-120000	3210-0830-120000	2.5	2.5	S	S	22	22	2.25	2.25				
9	3210-0990-122500	3210-0960-122500	3210-0945-122500	3210-0930-122500	2.5	2.5	S	S	22	22	2.25	2.25				
10	3210-1090-215000	3210-1060-215000	3210-1045-215000	3210-1030-215000	2.5	2.5	S	S	22	22	2.25	2.25				
11	3210-1190-127500	3210-1160-127500	3210-1145-127500	3210-1130-127500	2.5	2.5	S	S	22	22	2.25	2.25				
12	3210-1290-130000	3210-1260-130000	3210-1245-130000	3210-1230-130000	2.5	2.5	S	S	22	22	2.25	2.25				
13	3210-1390-132500	3210-1360-132500	3210-1345-132500	3210-1330-132500	2.5	2.5	S	S	20	20	2.25	2.25				
14	3210-1490-135000	3210-1460-135000	3210-1445-135000	3210-1430-135000	2.5	2.5	S	S	20	20	2.25	2.25				
15	3210-1590-137500	3210-1560-137500	3210-1545-137500	3210-1530-137500	2.5	2.5	S	S	20	20	2.25	2.25				
16	3210-1690-140000	3210-1660-140000	3210-1645-140000	3210-1630-140000	2.5	2.5	S	S	20	20	2.25	2.25				
17	3210-1790-142500	3210-1760-142500	3210-1745-142500	3210-1730-142500	2.5	2.5	S	S	20	20	2.25	2.25				
18	3210-1890-145000	3210-1860-145000	3210-1845-145000	3210-1830-145000	2.5	2.5	S	S	20	20	2.25	2.25				
20	3210-2090-150000	3210-2060-150000	3210-2045-150000	3210-2030-150000	2.5	2.5	S	S	20	20	2.25	2.25				
22	3210-2290-155000	3210-2260-155000	3210-2245-155000	3210-2230-155000	2.5	2.5	S	S	20	20	2.25	2.25				
24	3210-2490-160000	3210-2460-160000	3210-2445-160000	3210-2430-160000	2.5	2.5	S	S	20	20	2.25	2.25				

¹CLR: Center Line Radius

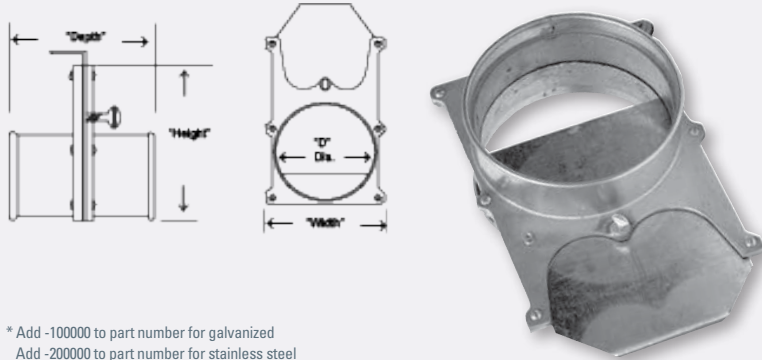
²P: Press formed halves, stitch-welded together S: Segmented elbows T: Tubed style

* Call 800 number for stainless steel part numbers

QUICK CLEAN OUT

BLAST GATE

Shuts off airflow from machines not in use, improving suction elsewhere in the system and energy efficient.



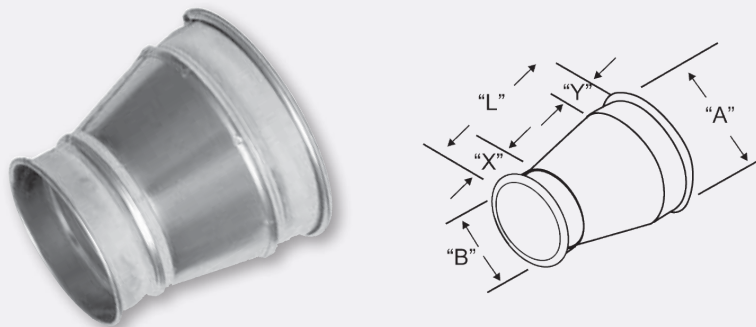
* Add -100000 to part number for galvanized
Add -200000 to part number for stainless steel

DIAMETER D (in)	PART NO. *	WIDTH	HEIGHT	DEPTH
		in		
3	3240-0300	4.25	7.00	5.25
4	3240-0400	5.25	7.00	5.50
5	3240-0500	6.12	6.25	5.75
6	3240-0600	7.00	10.00	5.75
7	3240-0700	8.00	11.12	5.38
8	3240-0800	9.37	12.00	5.50
9	3240-0900	11.00	13.25	5.50
10	3240-1000	11.37	14.37	5.50
11	3240-1100	11.37	14.37	5.50
12	3240-1200	13.50	16.25	5.25
14	3240-1400	15.75	17.87	5.25
16	3240-1600	18.00	28.50	11.25
18	3240-1800	20.80	32.75	11.25
20	3240-2000	22.25	34.00	11.25
22	3240-2200	24.25	33.50	11.25
24	3240-2400	26.25	33.50	11.25
26	3240-2600	29.25	47.50	CALL
28	3240-2800	30.25	47.50	CALL
30	3240-3000	33.25	55.75	CALL

REDUCER

Specify reducer end style. Specify A, B when ordering.

Easy Duct length (L) = A-B+6", 7" min.
FL length (L) = A-B+8", 9" min.



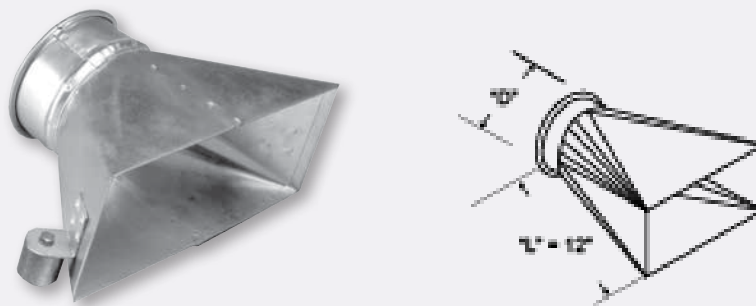
Note: "X" & "Y" are standard 2" long.

* Add -100000 to part number for galvanized
Add -200000 to part number for stainless steel

DIAMETER A (in)	PART NO.	GAUGE *	
		GALV.	SS
4	3222-04XX	22	22
5	3222-05XX	22	22
6	3222-06XX	22	22
7	3222-07XX	22	22
8	3222-08XX	22	22
9	3222-09XX	22	22
10	3222-10XX	22	22
11	3222-11XX	22	22
12	3222-12XX	22	22
13	3222-13XX	22	22
14	3222-14XX	22	22
15	3222-15XX	22	22
16	3222-16XX	20	20
17	3222-17XX	20	20
18	3222-18XX	20	20
20	3222-20XX	20	20
22	3222-22XX	20	20
24	3222-24XX	20	20
26	3222-26XX	18	18
28	3222-28XX	18	18
30	3222-30XX	18	18
32	3222-32XX	18	18
34	3222-34XX	18	18
36	3222-36XX	18	18
38	3222-38XX	18	18
40	3222-40XX	18	18

Router Hood

Designed specifically to collect dust from a router. Available with magnets. Edges are folded to inside for safety. Standard opening 6" x 12"

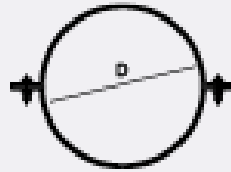


DIAMETER D (in)	PART NO.
3	3231-0300-100000
4	3231-0400-100000
5	3231-0500-100000
6	3231-0600-100000
7	3231-0700-100000
8	3231-0800-100000
9	3231-0900-100000
10	3231-1000-100000
With Magnet	
3	3232-0300-100000
4	3232-0400-100000
5	3232-0500-100000
6	3232-0600-100000
7	3232-0700-100000
8	3232-0800-100000
9	3232-0900-100000
10	3232-1000-100000

ACCESSORIES

PIPE HANGER

Clearance hole 5/16". Bolt size 1/4" x 3/4". Bolt are supplied with hanger.



* Add -200000 to part number for stainless steel

DIAMETER D (in)	PART NO.*
3	3265-0300-100000
4	3265-0400-100000
5	3265-0500-100000
6	3265-0600-100000
7	3265-0700-100000
8	3265-0800-100000
9	3265-0900-100000
10	3265-1000-100000
11	3265-1100-100000
12	3265-1200-100000
13	3265-1300-100000
14	3265-1400-100000
15	3265-1500-100000
16	3265-1600-100000
17	3265-1700-100000
18	3265-1800-100000
20	3265-2000-100000
22	3265-2200-100000
24	3265-2400-100000
26	3265-2600-100000
28	3265-2800-100000
30	3265-3000-100000
32	3265-3200-100000
34	3265-3400-100000
36	3265-3600-100000
38	3265-3800-100000
40	3265-4000-100000

PIPE BRACING

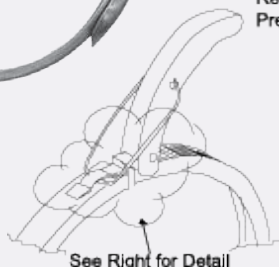
Galvanized. Supplied in 10' lengths and not drilled or flattened. Cut to desired length - flatten ends - drill one end with 3/8" bit, connect this end to pipe hanger and clamp or bolt other end to suspension point.



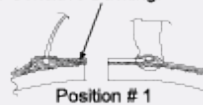
DIAMETER (in)	PART NO.
1/2	3268-0100-100000

CLAMP WITH PIN

Standard clamps come with Nitrile seals to help prevent leakage over multiple uses. Clamps with ePTFE seals available at additional charge.



Seal Will Be Installed And Folded Over At the Factory. It Will Release Easily Due To The Pressure Sensitive Backing.



While Clamping Down, Slowly Tuck Extra Seal Underneath The Opposing Side Of Clamp.



See Right for Detail

DIAMETER (in)	PART NO.*
3	3260-0300-100900
4	3260-0400-100900
5	3260-0500-100900
6	3260-0600-100900
7	3260-0700-100900
8	3260-0800-100900
9	3260-0900-100900
10	3260-1000-100900
11	3260-1100-100900
12	3260-1200-100900
13	3260-1300-100900
14	3260-1400-100900
15	3260-1500-100900
16	3260-1600-100900
17	3260-1700-100900
18	3260-1800-100900
20	3260-2000-100900
22	3260-2200-100900
24	3260-2400-100900

ADDITIONAL PINS

LG BRIDGE PINS	3260-PINS-LARGE
SM BRIDGE PINS	3260-PINS-SMALL

ADDITIONAL NITRILE SEALS

3 - 6	3260-0375-SP3000
7 - 11	3260-0500-SP4000
12 - 24	3260-0650-SP5000

FLEXIBLE RUBBER HOSE

Flexible rubber hose with steel coil. Hose clamps sold separately. "Clear" "FDA" hose is available upon request.



- Also available in clear "FDA" upon request.
- 3282 Hose adaptor recommended with this hose.
- Sold by the foot in 5' increments.

DIAMETER (in)	PART NO.
1.0	3280-0100-000000
1.5	3280-1500-000000
2.0	3280-0200-000000
2.5	3280-2500-000000
3.0	3280-0300-000000
3.5	3280-3500-000000
4.0	3280-0400-000000
5.0	3280-0500-000000
5.5	3280-5500-000000
6.0	3280-0600-000000
7.0	3280-0700-000000
8.0	3280-0800-000000
9.0	3280-0900-000000
10.0	3280-1000-000000
12.0	3280-1200-000000
14.0	3280-1400-000000
16.0	3280-1600-000000
18.0	3280-1800-000000
20.0	3280-2000-000000
22.0	3280-2200-000000
24.0	3280-2400-000000

RIGID FLEX-STEEL HOSE

Flexible rigid steel hose for higher temperature or abrasive material. Available in Galvanized or Stainless Steel.



- Call 800 number for stainless steel part numbers.
- Use #3249 Machine Adapter with this hose.
- Do not use #3285 SS hose clamps with this hose.
- Alternate ends are available upon request at additional cost.
- Sold by the foot in 5' increments

DIAMETER (in)	PART NO.
1.5	3281-1500-100000
2.0	3281-0200-100000
2.5	3281-2500-100000
3.0	3281-0300-100000
3.5	3281-3500-100000
4.0	3281-0400-100000
5.0	3281-0500-100000
6.0	3281-0600-100000
7.0	3281-0700-100000
8.0	3281-0800-100000
9.0	3281-0900-100000
10.0	3281-1000-100000
12.0	3281-1200-100000
14.0	3281-1400-100000

Note: All hose is sold in 5' increments with 5' minimum purchase. Easy Duct, flanged, and raw end styles are available.

Industry-Leading Technology

- Advanced filtration technology for optimal performance
- Reduced energy consumption and cost of ownership
- Advanced design and testing capabilities

The Most Filters and Parts

- For every brand and style of collector
- Wide range of filtration media for any application
- 90,000 filters and parts in stock and ready to ship

Unparalleled Support

- Live technical specialists
- Comprehensive pre- and post-sale support
- 40 manufacturing plants and 14 distribution centers worldwide

Significantly improve the performance of your collector with genuine Donaldson Torit replacement filters and parts. **Call Donaldson Torit at 800-365-1331.**

Important Notice

Many factors beyond the control of Donaldson can affect the use and performance of Donaldson products in a particular application, including the conditions under which the product is used. Since these factors are uniquely within the user's knowledge and control, it is essential the user evaluate the products to determine whether the product is fit for the particular purpose and suitable for the user's application. All products, product specifications, availability and data are subject to change without notice, and may vary by region or country.



Donaldson.

Donaldson Company, Inc.
Minneapolis, MN
donaldson.com • shop.donaldson.com

North America
Email: donaldson@donaldson.com
Phone: (USA): 800-365-1331 • (MX): 800-343-3639

Australasia
Email: marketing.australia@donaldson.com
Phone: +61 2 4350 2000
Toll Free: (AU) 1800 345 837 • (NZ) 0800 743 387

F118010 ENG (08/18) Easy-Duct Brochure ©2010-2018 Donaldson Company, Inc.

Donaldson, Torit, Easy-Duct and the color blue are marks of Donaldson Company, Inc. All other marks belong to their respective owners.

China IAF
Email: info.cn@donaldson.com
Phone: (86) 400-820-1038

Donaldson Europe B.V.B.A.
Email: IAF-europe@donaldson.com
Phone: + 32 (0) 16 38 38 11

India
Email: marketing.India@donaldson.com
Phone: +91 124 4807400
Toll Free: 18001035018

Latinoamerica
Email: IndustrialAir@donaldson.com
Phone: +52 449 300 2442

South Africa
Email: SAMarketing@donaldson.com
Phone: +27 11 997 6000

Southeast Asia IAF
Email: IAF.SEA@donaldson.com
Phone: (65) 63117373