



**RBO Wheel**



**RBA Wheel**



The Donaldson® Torit® RBO/RBA series of fans are excellent choices for many industrial applications. The RBO is an open type radial paddle wheel design and is extremely rugged. Applications include coarse materials, sawdust, sticky products or other abrasive materials.

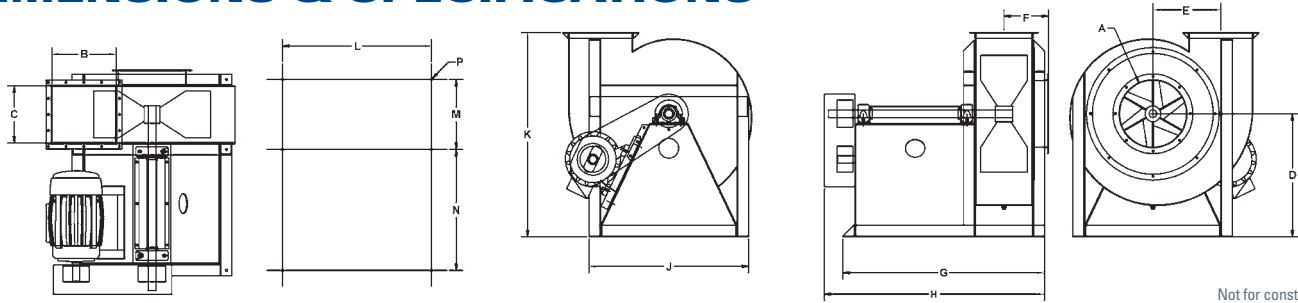
The RBA is an efficient modified radial fan design. RBA fans are excellent for relatively clean air containing light dust or fumes.

## STANDARD FEATURES & AVAILABLE OPTIONS

CATEGORY	STD	OPT
Full-welded carbon steel construction	X	
Flanged inlet and outlet	X	
230/460/60/3 TEFC motor*	X	
V-belt drive with 1.5 service factor	X	
Class SD wheel	X	
Spherical roller bearings	X	
Safety blue belt and shaft guards	X	
Standard metal preparation	X	
Primed and painted industrial Storm White or Torit Blue Finish	X	
Class HD wheels		X
Special paints and coatings		X
Aluminum spark resistant liner		X

\* All 60 Hz motors above 1HP are EISA compliant and meet or exceed NEMA Premium® per Table 12-12. NEMA Premium is a registered trademark of National Electrical Manufacturers Association.

# DIMENSIONS & SPECIFICATIONS



Not for construction

Model	Dimensions													
	A		B		C		D		E		F		G	
	in	mm	in	mm	in	mm	in	mm	in	mm	in	mm	in	mm
909	9.0	228.6	8.6	219.1	7.7	195.3	24.0	609.6	9.9	250.8	7.9	200.0	29.6	750.9
911	11.0	279.4	10.6	268.3	9.4	239.7	24.8	628.7	11.2	284.2	8.6	217.5	35.4	900.1
913	13.0	330.2	12.4	315.9	11.1	282.6	27.2	691.9	13.1	331.8	9.9	250.8	41.8	1060.5
915	15.0	381.0	14.3	363.5	12.8	325.4	28.3	717.6	15.3	387.4	9.1	230.2	47.0	1193.8
917	17.0	431.8	16.3	412.8	14.5	368.3	31.3	793.8	17.3	438.2	11.3	285.8	51.1	1298.6
919	19.0	482.6	18.1	458.8	16.1	409.6	33.3	844.6	19.2	487.4	12.1	306.4	53.6	1362.1
921	21.0	533.4	20.0	508.0	17.8	452.4	34.5	876.3	21.3	539.8	13.1	333.4	56.6	1436.7
923	23.0	584.2	22.0	558.8	19.6	498.5	37.5	952.5	23.3	590.6	14.3	363.5	58.4	1482.7
926	26.0	660.4	24.8	630.2	22.1	562.0	41.8	1060.5	26.2	665.2	15.1	382.6	63.4	1609.7
929	29.0	736.6	27.7	703.3	24.6	625.5	46.3	1174.8	29.5	749.3	16.3	414.3	65.9	1673.2
933	33.0	838.2	31.1	790.6	27.6	701.7	47.0	1193.8	33.5	850.9	18.0	457.2	72.0	1828.8
937	37.0	939.8	35.2	893.8	31.5	800.1	53.0	1346.2	37.5	952.5	19.8	501.7	78.9	2003.4

Model	Dimensions													
	H		J		K		L		M		N		P	
	in	mm	in	mm	in	mm	in	mm	in	mm	in	mm	in	mm
909	35.1	890.6	22.0	558.8	35.1	892.2	20.3	514.4	11.9	303.2	15.9	403.2	0.6	14.3
911	42.0	1066.8	25.4	644.4	38.3	971.6	23.6	600.1	11.7	296.9	22.0	558.8	0.6	14.3
913	45.8	1162.1	29.5	749.3	43.1	1095.4	27.8	704.9	13.4	339.7	26.6	676.3	0.6	14.3
915	51.8	1314.5	35.1	892.2	46.5	1181.1	32.4	822.3	16.1	408.0	28.2	716.0	0.6	14.3
917	55.9	1419.2	40.5	1028.7	51.9	1317.6	37.8	958.9	17.8	450.9	30.6	777.7	0.6	14.3
919	59.4	1508.1	44.0	1117.6	56.2	1427.2	41.3	1047.8	19.4	492.1	31.5	800.1	0.7	17.5
921	62.1	1578.0	45.5	1155.7	58.0	1473.2	42.8	1085.9	21.1	535.0	32.8	833.4	0.7	17.5
923	64.4	1635.1	50.0	1270.0	64.0	1625.6	47.3	1200.2	22.9	581.0	32.8	831.9	0.8	20.6
926	70.6	1793.9	58.0	1473.2	70.8	1797.1	55.3	1403.4	25.2	639.8	35.4	900.1	0.8	20.6
929	73.1	1857.4	60.5	1536.7	78.3	1987.6	57.8	1466.9	27.9	708.0	35.3	895.4	0.8	20.6
933	79.3	2013.0	67.8	1720.9	83.5	2120.9	68.0	1727.2	32.3	819.2	36.0	914.4	0.8	20.6
937	85.4	2168.5	78.9	2003.4	93.8	2381.3	74.9	1901.8	35.5	901.7	37.4	949.3	0.8	20.6

Significantly improve the performance of your collector with genuine Donaldson Torit replacement filters and parts. **Call Donaldson Torit at 800-365-1331.**

**Important Notice**

Many factors beyond the control of Donaldson can affect the use and performance of Donaldson products in a particular application, including the conditions under which the product is used. Since these factors are uniquely within the user's knowledge and control, it is essential the user evaluate the products to determine whether the product is fit for the particular purpose and suitable for the user's application. All products, product specifications, availability and data are subject to change without notice, and may vary by region or country.



Donaldson Company, Inc.  
Minneapolis, MN  
[donaldson.com](http://donaldson.com) • [shop.donaldson.com](http://shop.donaldson.com)

**North America**  
Email: [donaldson@donaldson.com](mailto:donaldson@donaldson.com)  
Phone: (USA): 800-365-1331 • (MX): 800-343-3639

**Australasia**  
Email: [marketing.australia@donaldson.com](mailto:marketing.australia@donaldson.com)  
Phone: +61 2 4350 2000  
Toll Free: (AU) 1800 345 837 • (NZ) 0800 743 387

F118162 ENG (06/18) RBO RBA Fans ©2011-2018 Donaldson Company, Inc.

Donaldson, Torit and the color blue are marks of Donaldson Company, Inc. All other marks belong to their respective owners.

**China IAF**  
Email: [info.cn@donaldson.com](mailto:info.cn@donaldson.com)  
Phone: (86) 400-820-1038

**Donaldson Europe B.V.B.A.**  
Email: [IAF-europe@donaldson.com](mailto:IAF-europe@donaldson.com)  
Phone: +32 (0) 16 38 38 11

**India**  
Email: [marketing.India@donaldson.com](mailto:marketing.India@donaldson.com)  
Phone: +91 124 4807400  
Toll Free: 18001035018

**Latinoamerica**  
Email: [IndustrialAir@donaldson.com](mailto:IndustrialAir@donaldson.com)  
Phone: +52 449 300 2442

**South Africa**  
Email: [SAMarketing@donaldson.com](mailto:SAMarketing@donaldson.com)  
Phone: +27 11 997 6000

**Southeast Asia IAF**  
Email: [IAF.SEA@donaldson.com](mailto:IAF.SEA@donaldson.com)  
Phone: (65) 63117373