



TORIT® RADIAL BLADE FANS

TBI-1, 2, 3, 5, 7.5 AND 10
(60 AND 50 CYCLE)

Torit Radial Blade (TRB) Fans provide a convenient, cost-effective method of integrating a high efficiency fan with a Donaldson® Torit® dust collector.

- Mounts directly to the clean-air plenum of the dust collector, eliminating costly transition ducting, and reducing footprint of the system
- Sizes range from 1 to 10 hp
- Direct-drive operation eliminates maintenance of fan bearings and belts
- Computer balanced fan and motor assembly ensures vibration-free operation
- High temperature design operates up to 200°F/93°C
- All necessary hardware for quick and easy installation is included.
- Aluminum fan wheel ensures compliance with safety regulations and meets AMCA C spark resistant requirements
- Standard paint finish is blue
- All 60 Hz motors are compliant with the Energy Independence and Security Act of 2007 (EISA)

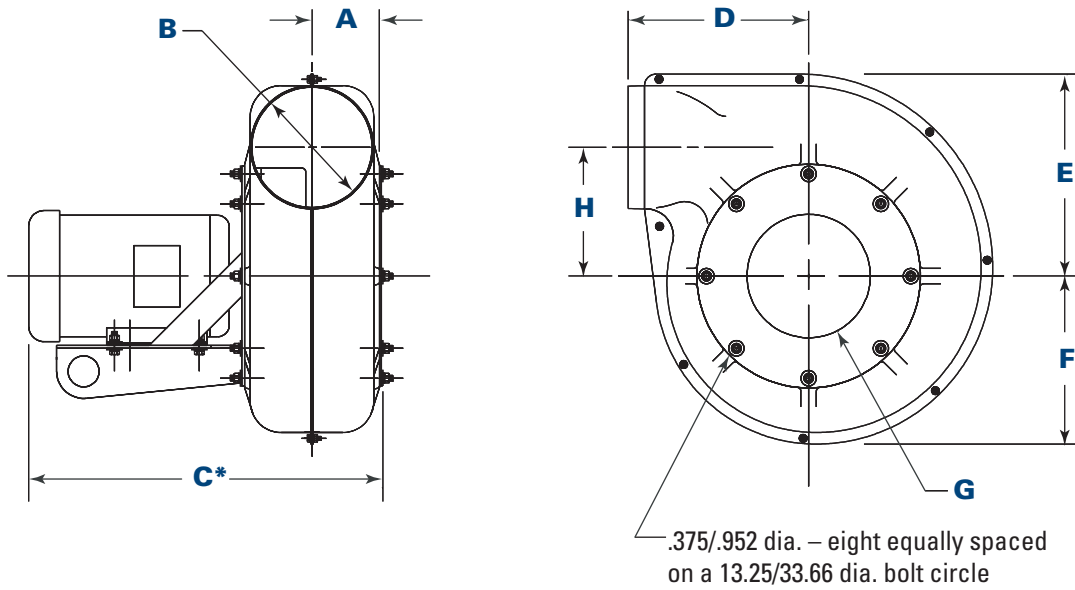


TRB-5 (60 Cycle)

EQUIPMENT OPTIONS

Explosion-proof motors – NEMA rated	60 cycle NEMA or 50 cycle IEC motor configurations
Outlet dampers	Outlet guards
Chamber silencers	

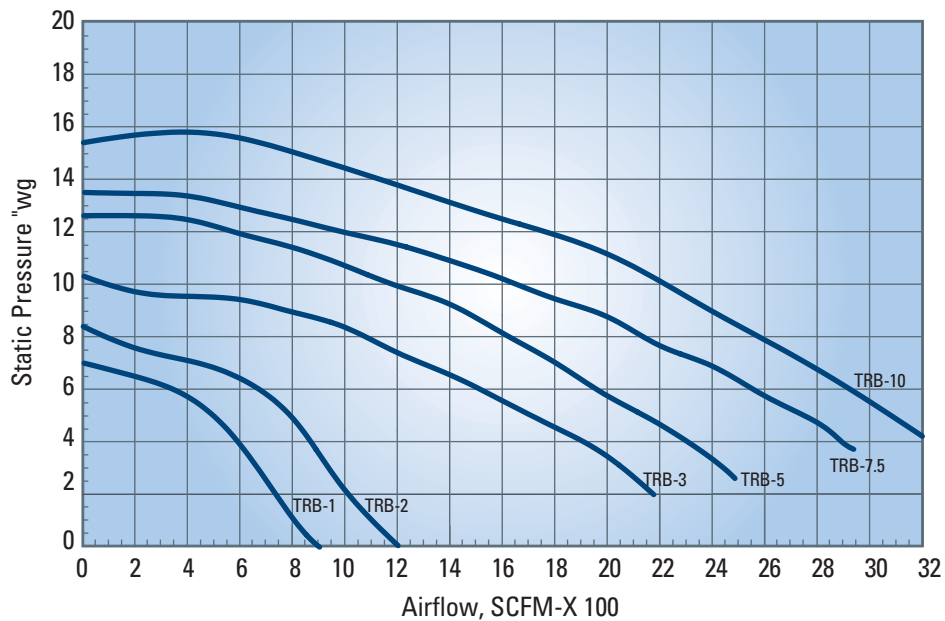
DIMENSIONS & SPECIFICATIONS FOR 60 CYCLE TRB FAN



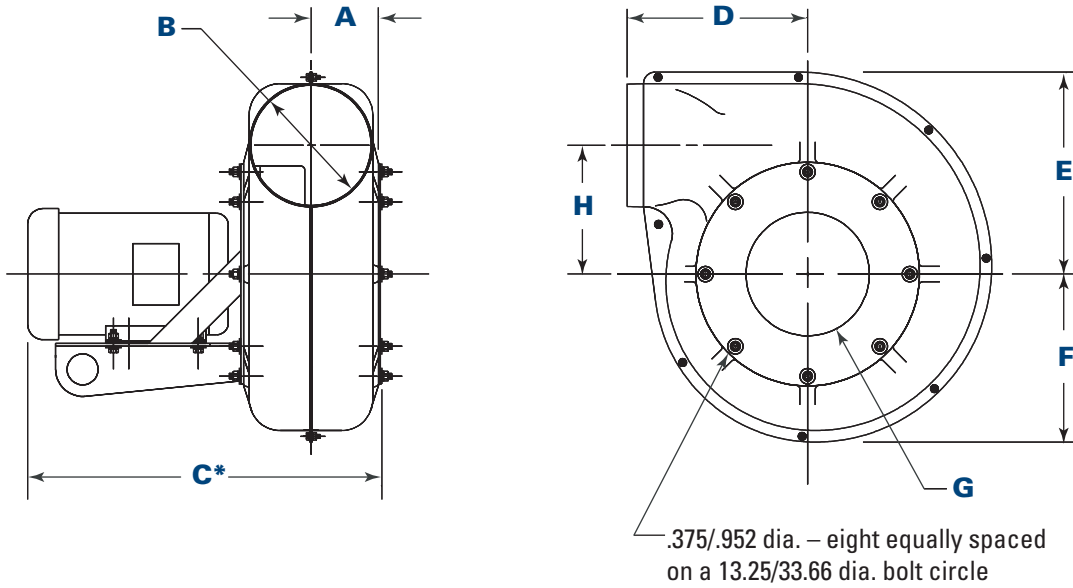
60 Cycle Fans	Dimensions																Shipping Weight	
	A		B		C*		D		E		F		G		H			
	in	mm	in	mm	in	mm	in	mm	in	mm	in	mm	in	mm	in	mm	lb	kg
TRB-1	5.4	137.2	5.9	149.9	13.8	350.5	8.9	226.1	11.0	279.4	9.3	236.2	6.0	152.4	7.3	185.4	48	22
TRB-2	5.4	137.2	5.9	149.9	15.5	393.7	8.9	226.1	11.0	279.4	9.3	236.2	7.0	177.8	7.3	185.4	63	29
TRB-3	4.4	111.8	7.9	200.7	17.4	442.0	11.7	297.2	13.1	332.7	10.2	259.1	8.0	203.2	8.3	210.8	87	39
TRB-5	4.4	111.8	7.9	200.7	22.9	581.7	11.7	297.2	13.1	332.7	10.2	259.1	8.0	203.2	8.3	210.8	124	56
TRB-7.5	4.4	111.8	7.9	200.7	24.3	617.2	11.7	297.2	13.1	332.7	10.2	259.1	10.0	254.0	8.3	210.8	148	67
TRB-10	4.4	111.8	7.9	200.7	24.3	617.2	11.7	297.2	13.1	332.7	10.2	259.1	10.0	254.0	8.3	210.8	227	103

* This dimension is subject to change based on the motor manufacturer chosen and on the motor enclosure type (TEFC or EP). If this dimension is critical, you should verify the information with your sales representative.

PERFORMANCE CURVES FOR 60 CYCLE TRB FAN



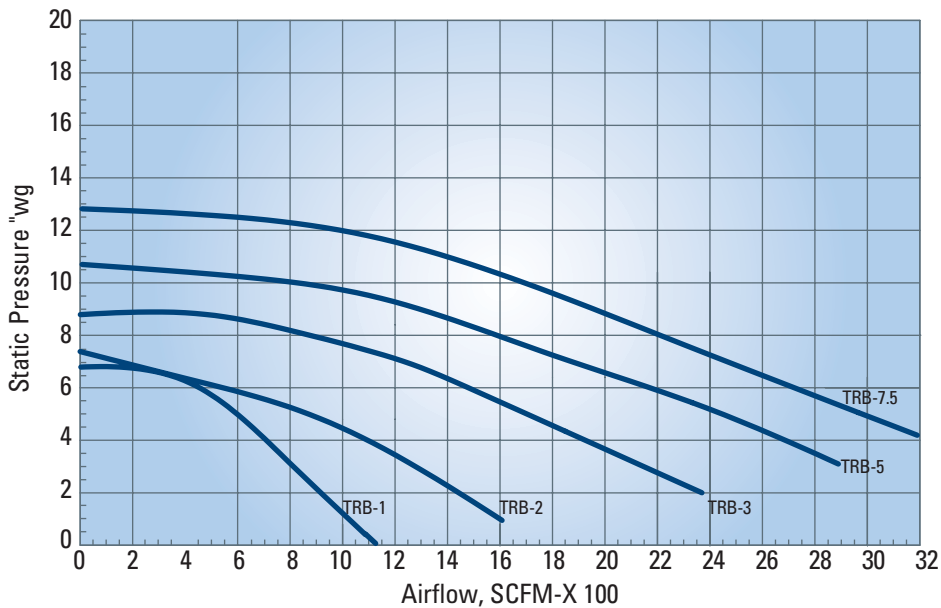
DIMENSIONS & SPECIFICATIONS FOR 50 CYCLE TRB FAN



50 Cycle Fans	Dimensions																Shipping Weight	
	A		B		C*		D		E		F		G		H		lb	kg
	in	mm	in	mm	in	mm	in	mm	in	mm	in	mm	in	mm				
TRB-1	5.4	137.2	5.9	149.9	15.3	388.6	8.9	226.1	11.0	279.4	9.3	236.2	7.0	177.8	7.3	185.4	63	29
TRB-2	4.4	111.8	7.9	200.7	19.1	485.1	11.7	297.2	13.1	332.7	10.2	259.1	6.0	152.4	8.3	210.8	88	40
TRB-3	4.4	111.8	7.9	200.7	20.1	510.5	11.7	297.2	13.1	332.7	10.2	259.1	10.0	254.0	8.3	210.8	100	45
TRB-5	4.4	111.8	7.9	200.7	22.2	563.9	11.7	297.2	13.1	332.7	10.2	259.1	10.0	254.0	8.3	210.8	158	72
TRB-7.5	4.4	111.8	7.9	200.7	23.7	602.0	11.7	297.2	13.1	332.7	10.2	259.1	10.0	254.0	8.3	210.8	205	93

* This dimension is subject to change based on the motor manufacturer chosen and on the motor enclosure type (TEFC or EP). If this dimension is critical, you should verify the information with your sales representative.

PERFORMANCE CURVES FOR 50 CYCLE TBI FAN



60 CYCLE TRB FAN SOUND DATA*

Model	Unsilenced ¹	Silenced ²
TRB-1	85	75
TRB-2	87	77
TRB-3	91	81
TRB-5	93	83
TRB-7.5	95	85
TRB-10	97	87

50 CYCLE TRB FAN SOUND DATA*

Model	Unsilenced ¹	Silenced ²
TRB-1	85	75
TRB-2	89	79
TRB-3	92	82
TRB-5	94	84
TRB-7.5	96	86
TRB-10	N/A	N/A

* dB(A) sound levels are an average of measurements made in a laboratory environment. Installed sound levels will vary depending on the measurement location, operating conditions, and installation.

1 Overall average dB(A) unsilenced fan at one meter.

2 Overall average dB(A) silenced fan at one meter. Allow 1" (25.4 mm) wg restriction for 1–3 hp fans and 2" (50.8 mm) for 5–10 hp fans.

Significantly improve the performance of your collector with genuine Donaldson Torit replacement filters and parts. **Call Donaldson Torit at 800-365-1331.**

Important Notice

Many factors beyond the control of Donaldson can affect the use and performance of Donaldson products in a particular application, including the conditions under which the product is used. Since these factors are uniquely within the user's knowledge and control, it is essential the user evaluate the products to determine whether the product is fit for the particular purpose and suitable for the user's application. All products, product specifications, availability and data are subject to change without notice, and may vary by region or country.



Donaldson Company, Inc.
Minneapolis, MN
donaldsontorit.com • shop.donaldson.com

North America
Email: donaldsontorit@donaldson.com
Phone: (USA): 800-365-1331 • (MX): 800-343-3639

Australasia
Email: marketing.australia@donaldson.com
Phone: +61 2 4350 2000
Toll Free: (AU) 1800 345 837 • (NZ) 0800 743 387

F118167 ENG (06/18) Torit Radial Blade Fans ©2011-2018 Donaldson Company, Inc.

Donaldson, Torit and the color blue are marks of Donaldson Company, Inc. All other marks belong to their respective owners.

China IAF
Email: info.cn@donaldson.com
Phone: (86) 400-820-1038

Donaldson Europe B.V.B.A.
Email: IAF-europe@donaldson.com
Phone: +32 (0) 16 38 38 11

India
Email: marketing.India@donaldson.com
Phone: +91 124 4807400
Toll Free: 18001035018

Latinoamerica
Email: IndustrialAir@donaldson.com
Phone: +52 449 300 2442

South Africa
Email: SAMarketing@donaldson.com
Phone: +27 11 997 6000

Southeast Asia IAF
Email: IAF.SEA@donaldson.com
Phone: (65) 63117373