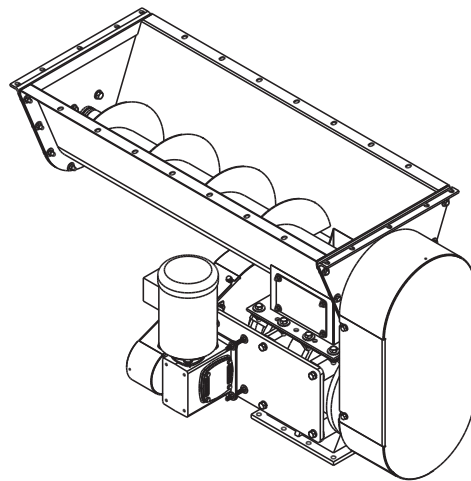


The live bottom hopper is a trough and auger combination that attaches to the hopper of a dust collector to break up agglomerative dust. The dust is then sent to an included rotary valve which drops the dust out of the system while keeping the system air tight. Agglomerative dusts can plug a rotary valve which can result in bridging and nesting of dust in the hopper. Use of the live bottom hopper breaks up agglomerative dusts to keep maintenance time and costs down and keeps the dust collector running smoothly.

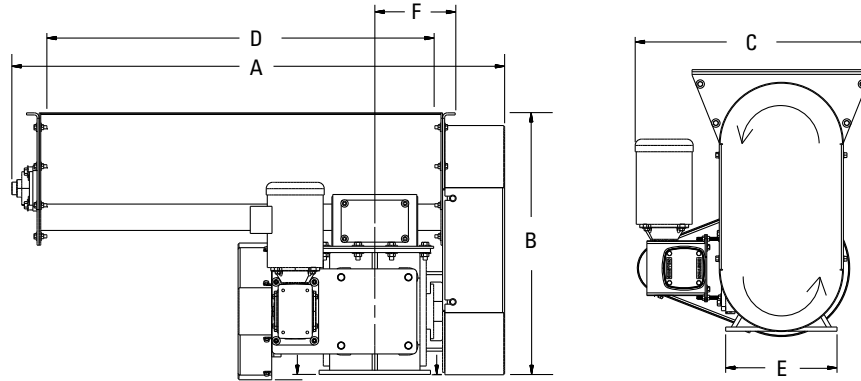
- Wise dust collector option for agglomerative dusts
- Complete package includes trough, 9" auger, 10" or 12" rotary valve and drive motor
- NFPA compliant option
- Easy flanged installation
- Flanged rotary valve outlet allows for attachment to many other options



**STANDARD FEATURES**

LBH WITH AN VALVE	LBH WITH MEYER HDX VALVE
Carbon steel trough and rotary valve	Carbon steel trough with cast iron construction rotary valve
6 blade, double wiper rotor, black neoprene flexible blades	6 blade, mild steel beveled blades
TEFC Motor	TEFC Motor
LBH WITH FT VALVE	LBH WITH MEYER HDX (NFPA 68/69 COMPLIANCE) VALVE
Carbon steel trough and rotary valve	Carbon steel trough with cast iron construction rotary valve
6 blade rotor, flexible polymer blades	8 blade, mild steel beveled blades
TEFC Motor	TEFC Motor
	Compliance with NFPA 68 (Venting of Deflagrations)
	Compliance with NFPA 69 (Deflagration Isolation)

## DIMENSIONS AND SPECIFICATIONS



MODEL	A		B		C		D		E		F		MOTOR HP	ROTARY VALVE CAPACITY		ROTARY VALVE RPM	AUGER RPM
	in	mm	in	mm	in	mm	in	mm	in	mm	in	mm		ft <sup>3</sup> /rev	m <sup>3</sup> /rev		
48 LBH w/10" AN	58.6	1488.4	39.1	993.1	38.5	977.9	47.6	1209.0	17.7	449.6	9.6	243.8	1	1.3	0.04	22	22
48 LBH w/12" AN	58.6	1488.4	42.6	1082.0	44.9	1140.5	47.6	1209.0	17.7	449.6	13.6	345.4	1.5	2.5	0.07	22	22
72 LBH w/10" AN	82.6	2098.0	39.1	993.1	38.5	977.9	71.6	1818.6	17.7	449.6	9.6	243.8	1	1.3	0.04	22	22
72 LBH w/12" AN	82.6	2098.0	42.6	1082.0	44.9	1140.5	71.6	1818.6	17.7	449.6	13.6	345.4	1.5	2.5	0.07	22	22
48 LBH w/10" FT	58.6	1488.4	33.1	840.7	28.3	718.8	47.6	1209.0	17.7	449.6	9.6	243.8	1	0.36	0.01	15	15 or 30
48 LBH w/12" FT	58.6	1488.4	36.8	934.7	30.0	762.0	47.6	1209.0	17.7	449.6	10.8	274.3	1.5	0.64	0.02	15	15 or 30
72 LBH w/10" FT	82.6	2098.0	33.1	840.7	28.3	718.8	71.6	1818.6	17.7	449.6	9.5	241.3	1	0.36	0.01	15	15 or 30
72 LBH w/12" FT	82.6	2098.0	36.9	937.3	30.0	762.0	71.6	1818.6	17.7	449.6	10.5	266.7	1.5	0.64	0.02	15	15 or 30
48 LBH w/10" Meyer HDX	58.6	1488.4	31.8	807.7	28.0	711.2	47.6	1209.0	17.7	449.6	9.6	243.8	1	0.36	0.01	15	15 or 30
48 LBH w/12" Meyer HDX	58.6	1488.4	34.0	863.6	29.5	749.3	47.6	1209.0	17.7	449.6	13.6	345.4	1.5	0.64	0.02	15	15 or 30
72 LBH w/10" Meyer HDX	82.6	2098.0	31.2	792.5	28.0	711.2	71.6	1818.6	17.7	449.6	9.6	243.8	1	0.36	0.01	15	15 or 30
72 LBH w/12" Meyer HDX	82.6	2098.0	34.0	863.6	30.0	762.0	71.6	1818.6	17.7	449.6	13.6	345.4	1.5	0.64	0.02	15	15 or 30
48 LBH w/10" NFPA 68/69 Meyer HDX	58.6	1488.4	31.1	789.9	37.6	955.0	47.6	1209.0	17.7	449.6	9.6	243.8	1	0.34	0.01	15	15 or 30
48 LBH w/12" NFPA 68/69 Meyer HDX	58.6	1488.4	34.0	863.6	39.9	1013.5	47.6	1209.0	17.7	449.6	13.6	345.4	1.5	0.61	0.02	15	15 or 30
72 LBH w/10" NFPA 68/69 Meyer HDX	82.6	2098.0	31.1	789.9	37.6	955.0	71.6	1818.6	17.7	449.6	9.6	243.8	1	0.34	0.01	15	15 or 30
72 LBH w/12" NFPA 68/69 Meyer HDX	82.6	2098.0	34.0	863.6	39.9	1013.5	71.6	1818.6	17.7	449.6	13.6	345.4	1.5	0.61	0.02	15	15 or 30

Significantly improve the performance of your collector with genuine Donaldson Torit replacement filters and parts. **Call Donaldson Torit at 800-365-1331.**

### Important Notice

Many factors beyond the control of Donaldson can affect the use and performance of Donaldson products in a particular application, including the conditions under which the product is used. Since these factors are uniquely within the user's knowledge and control, it is essential the user evaluate the products to determine whether the product is fit for the particular purpose and suitable for the user's application. All products, product specifications, availability and data are subject to change without notice, and may vary by region or country.



Donaldson Company, Inc.  
Minneapolis, MN  
[donaldson.com](http://donaldson.com) • [shop.donaldson.com](http://shop.donaldson.com)

**North America**  
Email: [donaldson@donaldson.com](mailto:donaldson@donaldson.com)  
Phone: (USA): 800-365-1331 • (MX): 800-343-3639

**Australasia**  
Email: [marketing.australia@donaldson.com](mailto:marketing.australia@donaldson.com)  
Phone: +61 2 4350 2000  
Toll Free: (AU) 1800 345 837 • (NZ) 0800 743 387

F118151 ENG (06/18) Live Bottom Hopper ©2014-2018 Donaldson Company, Inc.  
Donaldson, Torit and the color blue are marks of Donaldson Company, Inc. All other marks belong to their respective owners.

**China IAF**  
Email: [info.cn@donaldson.com](mailto:info.cn@donaldson.com)  
Phone: (86) 400-820-1038

**Donaldson Europe B.V.B.A.**  
Email: [IAF-europe@donaldson.com](mailto:IAF-europe@donaldson.com)  
Phone: +32 (0) 16 38 38 11

**India**  
Email: [marketing.India@donaldson.com](mailto:marketing.India@donaldson.com)  
Phone: +91 124 4807400  
Toll Free: 18001035018

**Latinoamerica**  
Email: [IndustrialAir@donaldson.com](mailto:IndustrialAir@donaldson.com)  
Phone: +52 449 300 2442

**South Africa**  
Email: [SAMarketing@donaldson.com](mailto:SAMarketing@donaldson.com)  
Phone: +27 11 997 6000

**Southeast Asia IAF**  
Email: [IAF.SEA@donaldson.com](mailto:IAF.SEA@donaldson.com)  
Phone: (65) 63117373