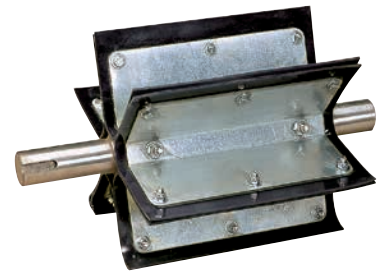




FT Rotary Airlock



Various Models

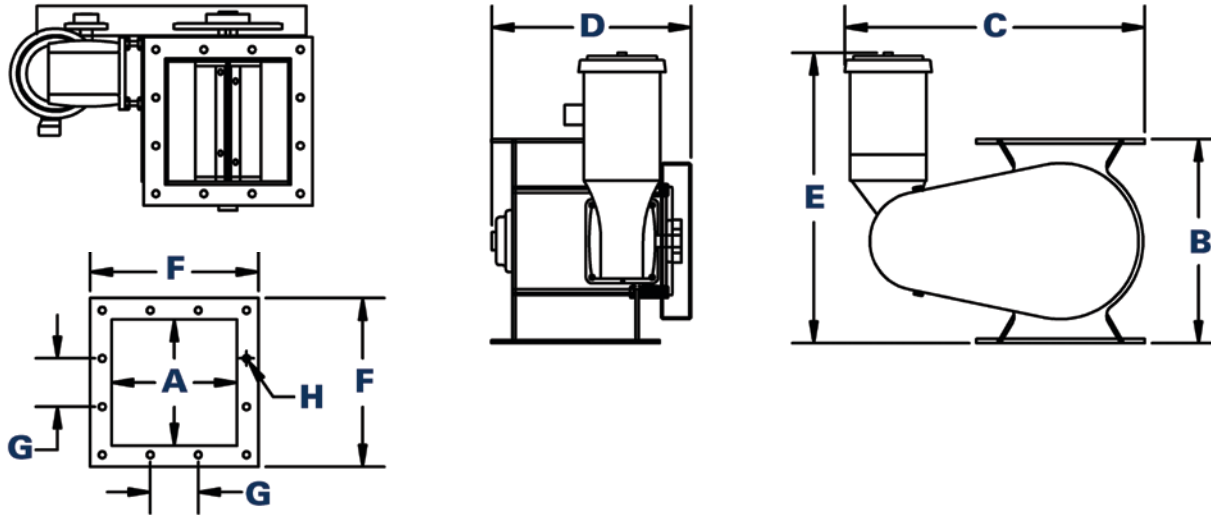


Vane Detail

The Donaldson® Torit® FT series airlock is an excellent choice for most dust filter and cyclone applications. The flexible tip design allows the airlock to handle stringy or fibrous products that jam other types of airlocks. Typical materials include paper, wood products, animal feed and other agricultural products. The flex tip material is also excellent in abrasive applications such as glass cullet and other natural minerals.

STANDARD FEATURES & AVAILABLE OPTIONS

| STANDARD | OPTIONAL |
|--------------------------------------------|-------------------------------|
| Full welded carbon steel construction | Slave drive kit for augers |
| Flanged inlet and outlet | Adapters for existing flanges |
| 230 / 460 / 60 / 3 TEFC gear motor | Stainless construction |
| Heavy duty chain drive | Special wiper material |
| Six vane removable motor | |
| Replaceable polymer vanes | |
| Safety blue chain guard | |
| Standard metal preparation | |
| Primed and painted industrial white enamel | |



CONFIGURATIONS

| MODEL | cfm* | m ³ /h* | HP | A | | B | | C | | D | | E | | F | | G | | H | |
|-------|-------|--------------------|-----|----|-------|----|--------|----|--------|----|--------|----|--------|-------|--------|-------|-------|--------|------|
| | | | | in | mm | in | mm | in | mm | in | mm | in | mm | in | mm | in | mm | in | mm |
| L10FT | 2.7 | 5 | 1 | 10 | 254.0 | 17 | 431.8 | 25 | 635.0 | 18 | 457.2 | 24 | 609.6 | 14 | 355.6 | 4 | 101.6 | 0.5625 | 14.3 |
| L12FT | 4.8 | 8 | 1.5 | 12 | 304.8 | 21 | 533.4 | 28 | 711.2 | 20 | 508.0 | 26 | 660.4 | 17.25 | 438.2 | 4.875 | 123.8 | 0.5625 | 14.3 |
| L16FT | 12.1 | 21 | 3 | 16 | 406.4 | 28 | 711.2 | 38 | 965.2 | 25 | 635.0 | 32 | 812.8 | 22 | 558.8 | 5 | 127.0 | 0.5625 | 14.3 |
| L24FT | 40.6 | 69 | 5 | 24 | 609.6 | 42 | 1066.8 | 46 | 1168.4 | 33 | 838.2 | 42 | 1066.8 | 30 | 762.0 | 5.5 | 139.7 | 0.6875 | 17.5 |
| L36FT | 143.0 | 243 | 7.5 | 36 | 914.4 | 62 | 1574.8 | 60 | 1524.0 | 47 | 1193.8 | 62 | 1574.8 | 42 | 1066.8 | 5.625 | 142.9 | 0.6875 | 17.5 |

* Cubic feet per minute (cubic meters per hour) based on 15 rpm and 50% cavity fill. Actual capacity will vary with material conditions.
NOT FOR CONSTRUCTION

Significantly improve the performance of your collector with genuine Donaldson Torit replacement filters and parts. **Call Donaldson Torit at 800-365-1331.**

Important Notice

Many factors beyond the control of Donaldson can affect the use and performance of Donaldson products in a particular application, including the conditions under which the product is used. Since these factors are uniquely within the user's knowledge and control, it is essential the user evaluate the products to determine whether the product is fit for the particular purpose and suitable for the user's application. All products, product specifications, availability and data are subject to change without notice, and may vary by region or country.



Donaldson Company, Inc.
Minneapolis, MN
donaldsontorit.com • shop.donaldson.com

North America
Email: donaldsontorit@donaldson.com
Phone: (USA): 800-365-1331 • (MX): 800-343-3639

Australasia
Email: marketing.australia@donaldson.com
Phone: +61 2 4350 2000
Toll Free: (AU) 1800 345 837 • (NZ) 0800 743 387

F118147 ENG (06/18) FT Rotary Airlocks ©2011-2018 Donaldson Company, Inc.

Donaldson, Torit and the color blue are marks of Donaldson Company, Inc. All other marks belong to their respective owners.

China IAF
Email: info.cn@donaldson.com
Phone: (86) 400-820-1038

Donaldson Europe B.V.B.A.
Email: IAF-europe@donaldson.com
Phone: +32 (0) 16 38 38 11

India
Email: marketing.India@donaldson.com
Phone: +91 124 4807400
Toll Free: 18001035018

Latinoamerica
Email: IndustrialAir@donaldson.com
Phone: +52 449 300 2442

South Africa
Email: SAMarketing@donaldson.com
Phone: +27 11 997 6000

Southeast Asia IAF
Email: IAF.SEA@donaldson.com
Phone: (65) 63117373