

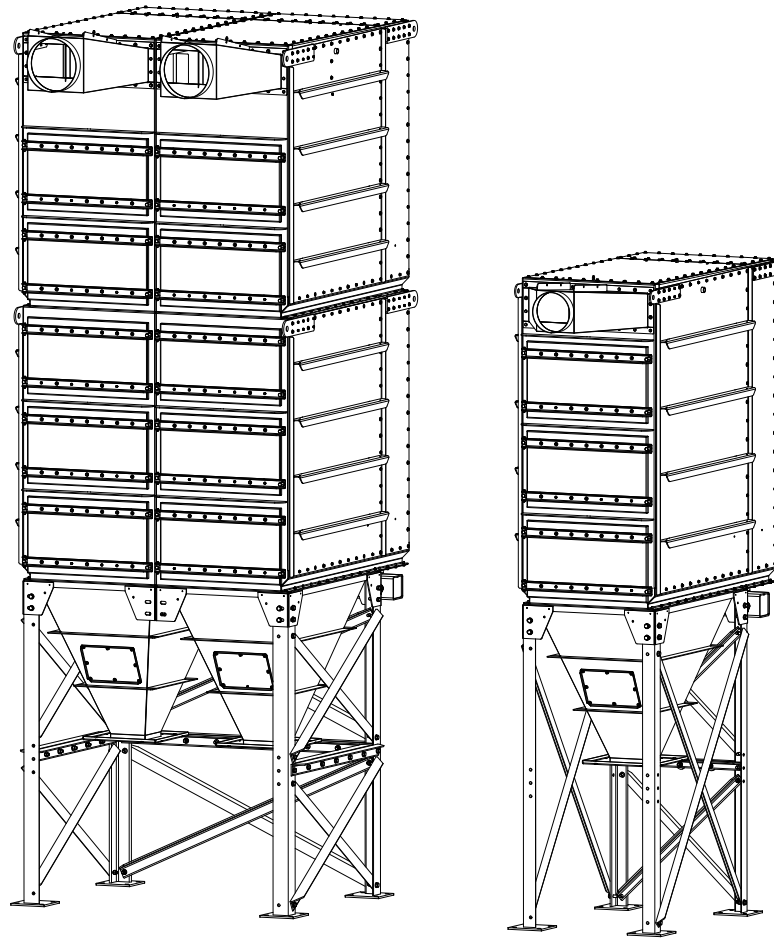
Donaldson
Torit®

Dalamatic® Cased G2

DLMC 1/2/16, 1/3/24, 1/4/32, 1/5/40, 2/2/32, 2/3/48, 2/4/64, 2/5/80, 3/4/96

Replacement Parts List

Includes Illustrations and Replacement Parts



IMPORTANT NOTES

This manual has been supplied to assist with the installation, operation and maintenance for the collector purchased. Please read the manual before installing, operating, or performing maintenance on the collector as it contains specific precautions for worker safety. It is the owner's responsibility to ensure that this manual is available for use by installers, operators and maintenance personnel that will be working with this collector. This manual is the property of the owner and should be left with the collector when installation has been completed. DO NOT operate this collector until you have read and understood the instructions and warnings located in the installation and operation manual.

For additional copies of this manual, contact Donaldson Torit

Contents

IMPORTANT NOTES i

Dalamic Cased, Model DLMC G2 1

Inlet 2

Jet Tube 3

Filter Assembly 5

Filter Insert 6

Delta P Control Assembly 7

Pressure Gauge Tubing Assembly 8

Magnehelic® and Photohelic® Gauge Assembly 9

Control Box Enclosure and Timer Assembly 10

Manifold Assembly 11

Solenoid Assembly, NEMA 4 Enclosure 12

Solenoid Assembly, NEMA 7 and 9 Explosion-Proof Enclosure 13

Door Assembly 15

Static Grounding Lug 17

Access Door Grounding Strap 18

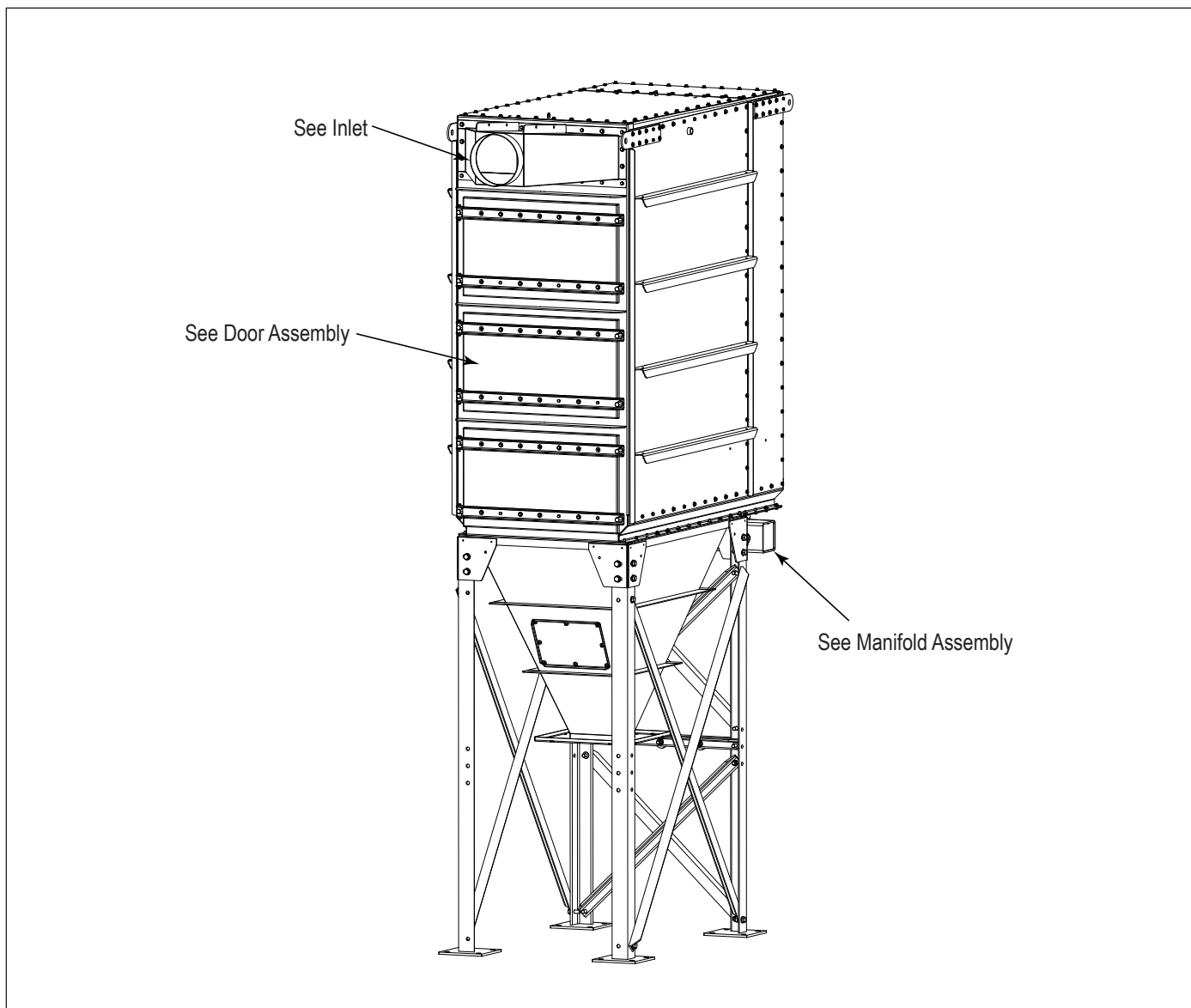
Explosion Relief Panel 19

Product Information 20

Service Notes 21

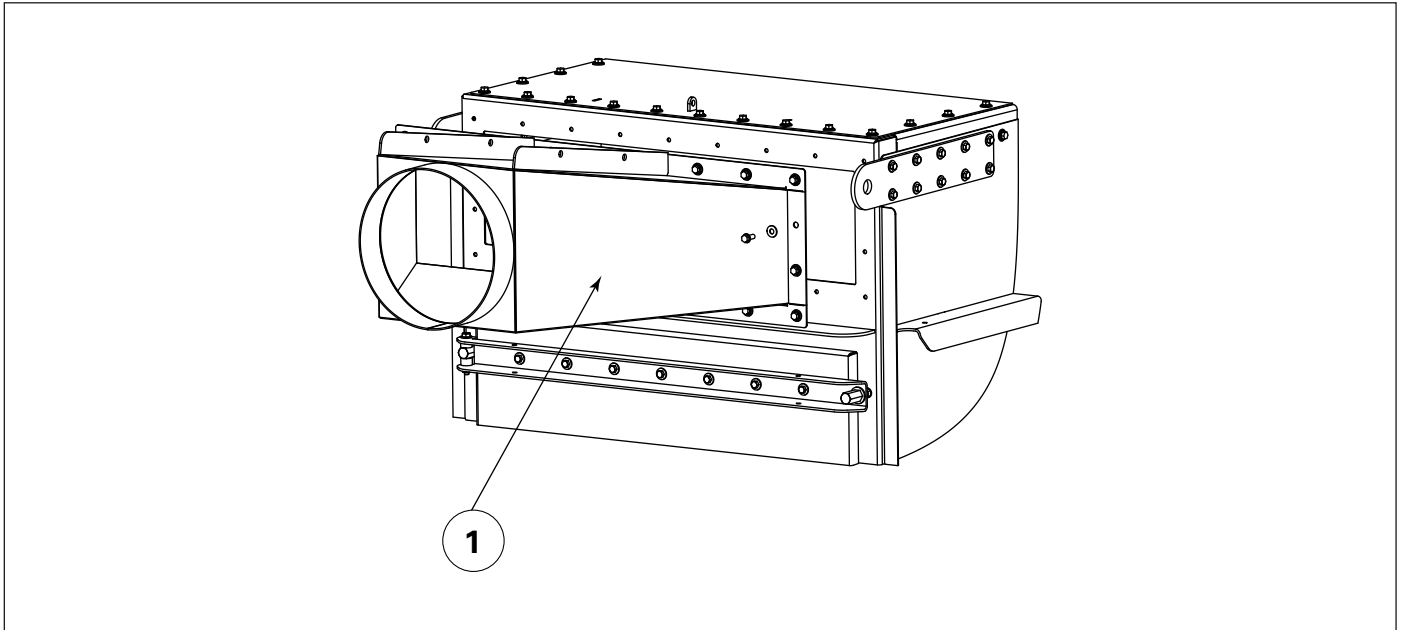
Donaldson Industrial Air Filtration Warranty 24

Dalamatic Cased, Model DLMC G2



Dalamatic Cased. Model DLMC G2

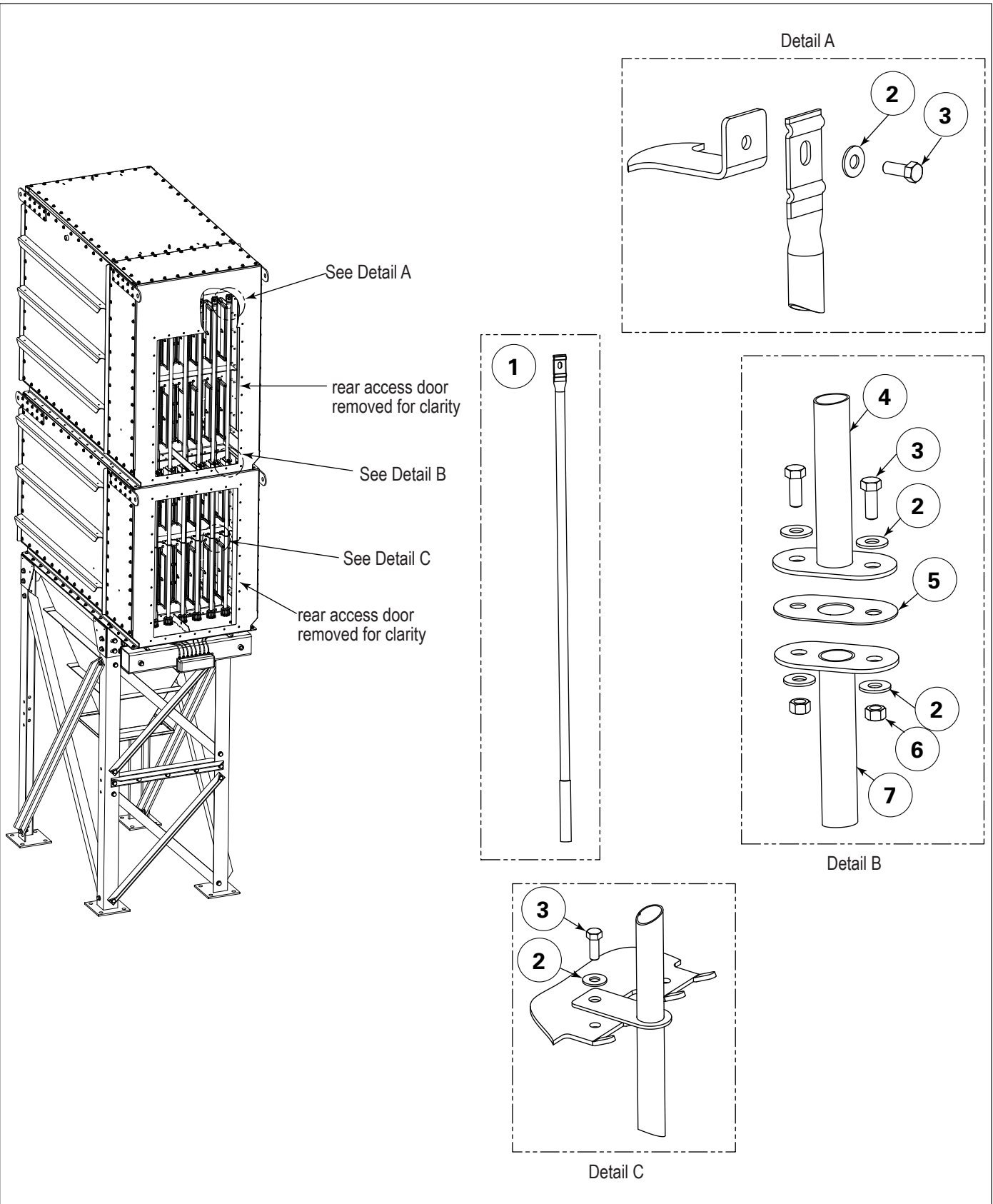
Inlet



Inlet

Item	Part Number	Description	Model
1	AG8762409	Inlet, 10.00-in Raw Edge	2 Tier
	AG8762414	Inlet 12.00-in Raw Edge	3 Tier
	AG8762428	Inlet 14.00-in Raw Edge	4 Tier
	AG8762429	Inlet 16.00-in Raw Edge	5 Tier

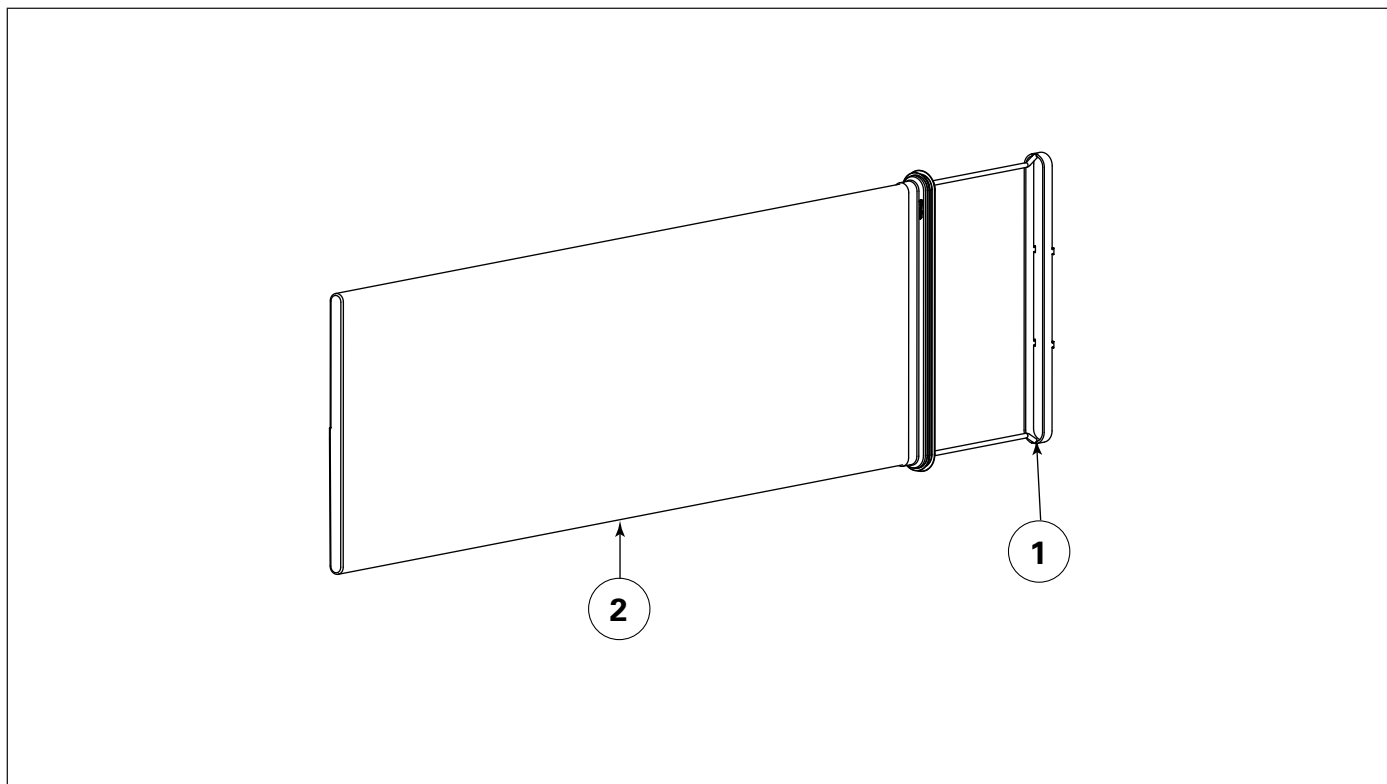
Jet Tube



Jet Tube

Item	Part Number	Description	Model
1	AG8762455	Jet Tube Weld, 2 Tier	DLMC 1/2/16, 2/2/32
	AG8762454	Jet Tube Weld, 3 Tier	DLMC 1/3/24, 2/3/48
2	0900608	Washer, Flat Zinc Plated Type A 3/8 RoHS Series W	All
3	0900804	Bolt, Hex, Steel, Zinc Plated, G1 3/8-16 X 1-in RoHS	All
4	AG8762436	Jet Tube Weld, Top Half	DLMC 1/4/32, 1/5/40, 2/4/64, 2/5/80, 3/4/96
5	AD3655228	Gasket, Jet Tube	DLMC 1/4/32, 1/5/40, 2/4/64, 2/5/80
6	0901110	Nut, Hex, Steel, Zinc Plated, G2 3/8-16 RoHS	DLMC 1/4/32, 1/5/40, 2/4/64, 2/5/80
7	AG8762437	Jet Tube Weld, Bottom Half	DLMC 1/4/32, 2/4/64, 3/4/96
	AG8762438	Jet Tube Weld, Bottom Half	DLMC 1/5/40, 2/5/80

Filter Assembly

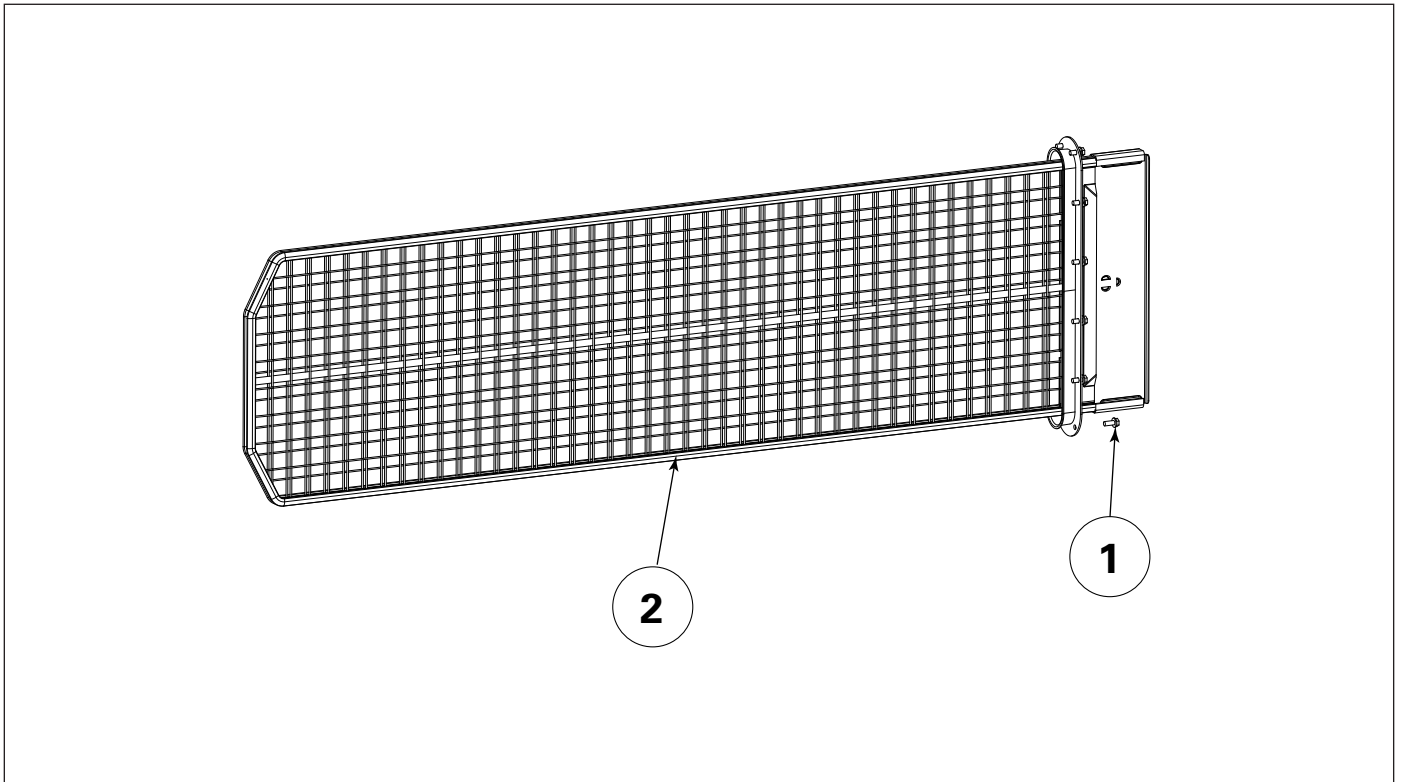


Filter Assembly

Item	Part Number	Description	Model
1	AG8762439	Filter Gasket Support Frame Assembly	All
2	P282874	Filter Bag Assembly, Dura-Life	All

*Additional media types are available. Please contact a parts specialist at 1-800-365-1331 for assistance.

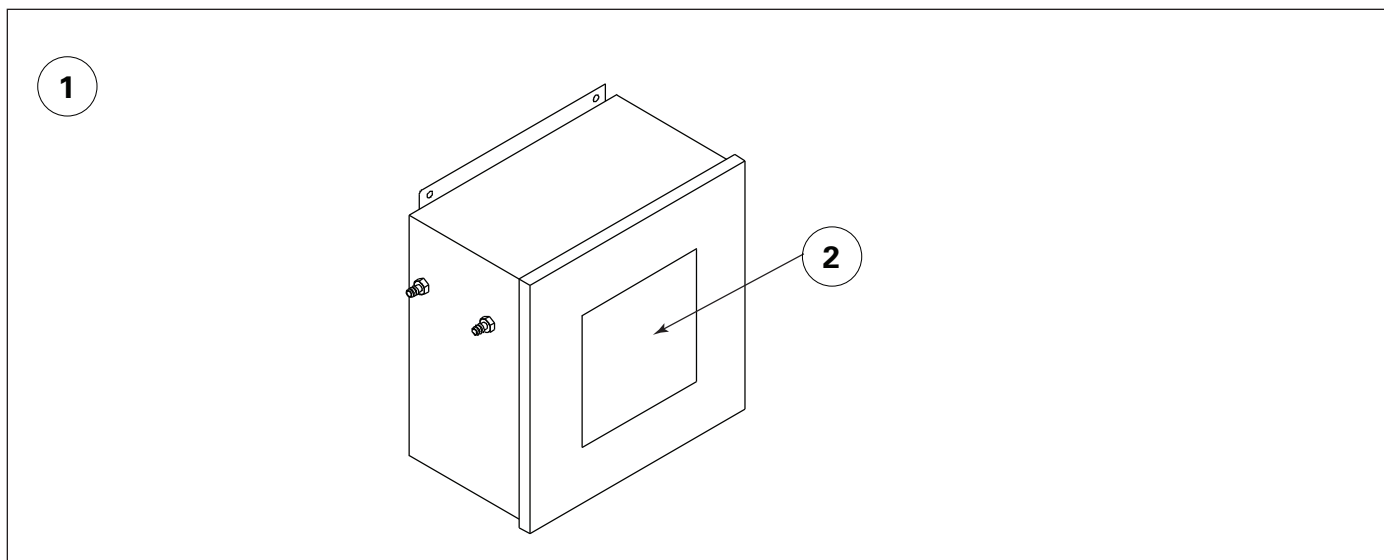
Filter Insert



Filter Insert

Item	Part Number	Description	Model
1	0922478	Screw, HWHD, TF, Steel, Zinc Plated, 3/8-16 UNC x 3/4-in Long, ROHS	All
2	AG8762456	Insert, Full Weld	All

Delta P Control Assembly



Delta P Control Assembly

Item	Part Number	Description	Model
1*	7851901	Delta P Controller 110V 10-Pin	DLMC 1/2/16, 1/3/24, 1/4/32, 1/5/40, 2/2/32, 2/3/48, 2/4/64, 2/5/80
	AD3411001	Delta P Plus Controller 110V 10-Pin	DLMC 1/2/16, 1/3/24, 1/4/32, 1/5/40, 2/2/32, 2/3/48, 2/4/64, 2/5/80
	7852001	Delta P Controller 110V 20-Pin	DLMC 3/4/96
	AD3411101	Delta P Plus Controller 110V 20-Pin	DLMC 3/4/96
2**	7508201	Delta P Control	All
	7053601	Delta P Plus Control	All

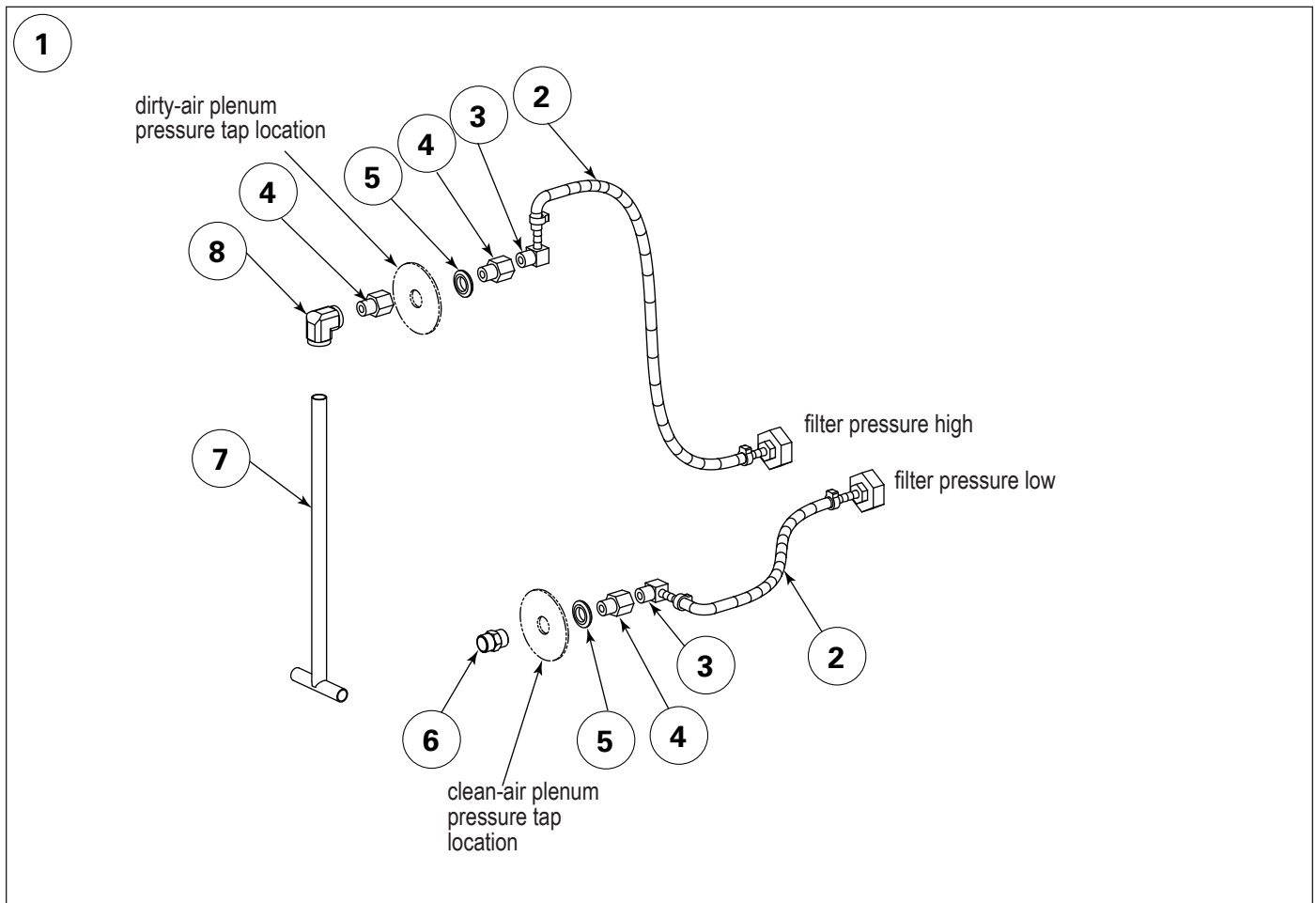
Not Illustrated (includes item 1 and pressure gauge tubing assembly)

	7536906	Delta P Control Assembly 110V 10-Pin	DLMC 1/2/16, 1/3/24, 1/4/32, 1/5/40, 2/2/32, 2/3/48, 2/4/64, 2/5/80
	AD3411406	Delta P Plus Control Assembly 110V 10-Pin	DLMC 1/2/16, 1/3/24, 1/4/32, 1/5/40, 2/2/32, 2/3/48, 2/4/64, 2/5/80
	7536908	Delta P Controller Assembly 110V 20-Pin	DLMC 3/4/96
	AD3411408	Delta P Plus Controller Assembly 110V 20-Pin	DLMC 3/4/96

*Includes control box enclosure, timer and Delta P Control

**Delta P Control only

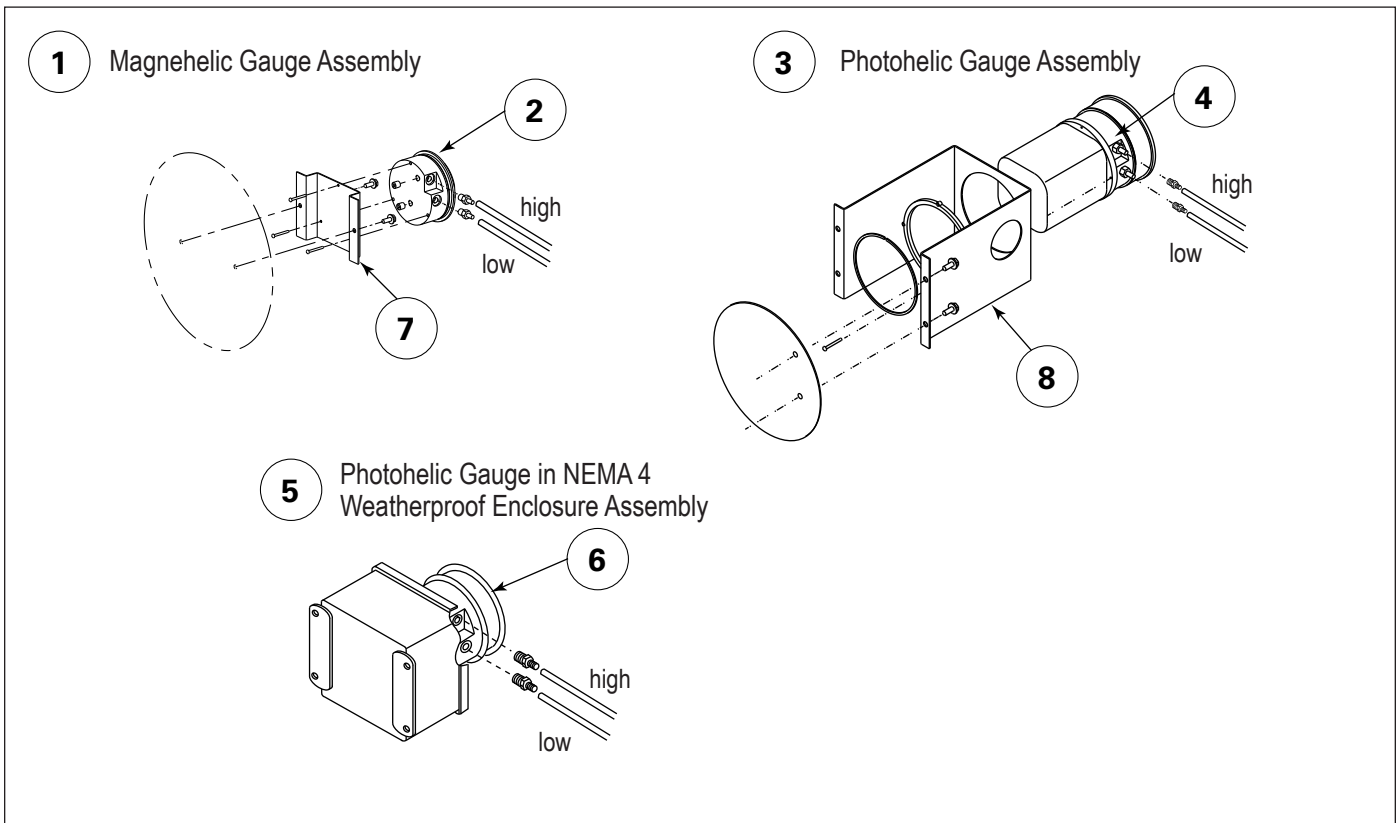
Pressure Gauge Tubing Assembly



Pressure Gauge Tubing Assembly

Item	Part Number	Description	Model
1	9502001	Pressure Tap Installation Kit	All
2	2334200	Plastic Tubing, Vinyl, 3/16-in ID, 5/16-in OD	All
3	1647700	Elbow, 1/8-in NPT x 3/16-in Barb Plastic Tubing Male 90°	All
4	2157400	Adapter, 1/8-in NPTM x 1/8-in NPTF	All
5	4437807	Washer, Galvanized Steel EPDM Bonded Sealing, 3/8-in	All
6	1846300	1/8-in NPT Female Coupling	All
7	2324501	Static Pressure Tee, Brass	All
8	2326000	1/8-in x 90° Brass Female Elbow	All

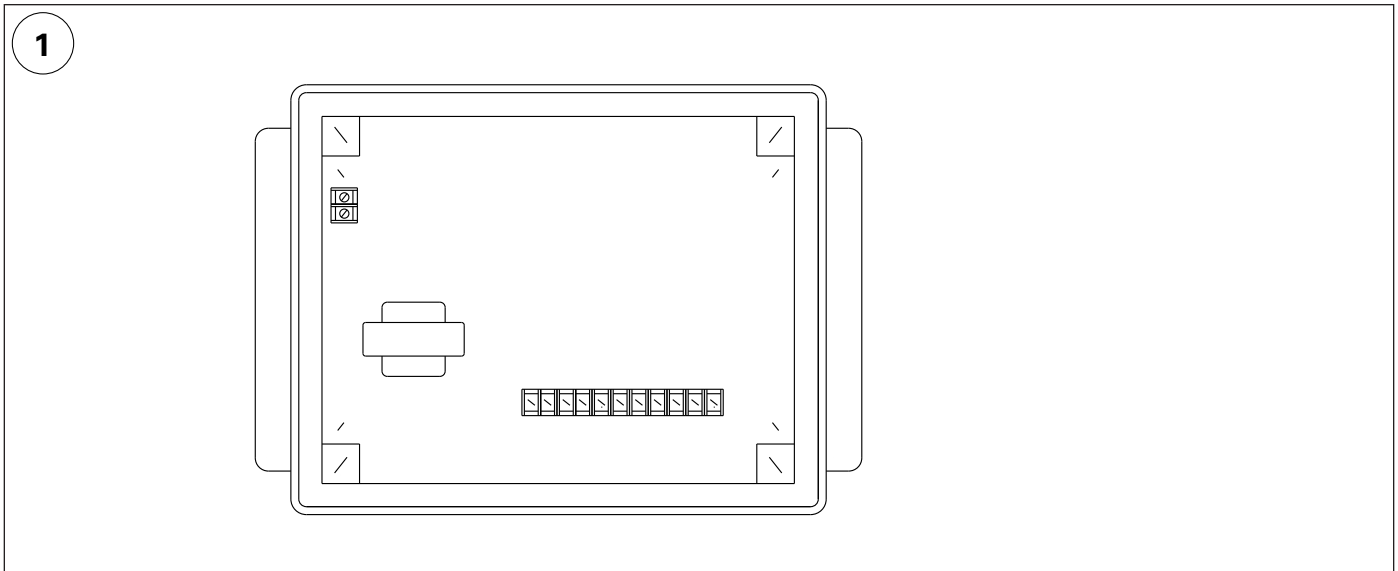
Magnehelic® and Photohelic® Gauge Assembly



Magnehelic and Photohelic Gauge Assembly

Item	Part Number	Description	Model
1	2333900	Magnehelic Gauge Assembly	All
2	1647500	Magnehelic Gauge	All
3	2335200	Photohelic Gauge Assembly	All
4	1939600	Photohelic Gauge	All
5	4008500	Photohelic Gauge in NEMA 4 Weatherproof Enclosure Assembly	All
6	4008600	Photohelic Gauge	All
7	2324600	Magnehelic Gauge Mounting Panel	All
8	2335300	Photohelic Gauge Mounting Panel	All

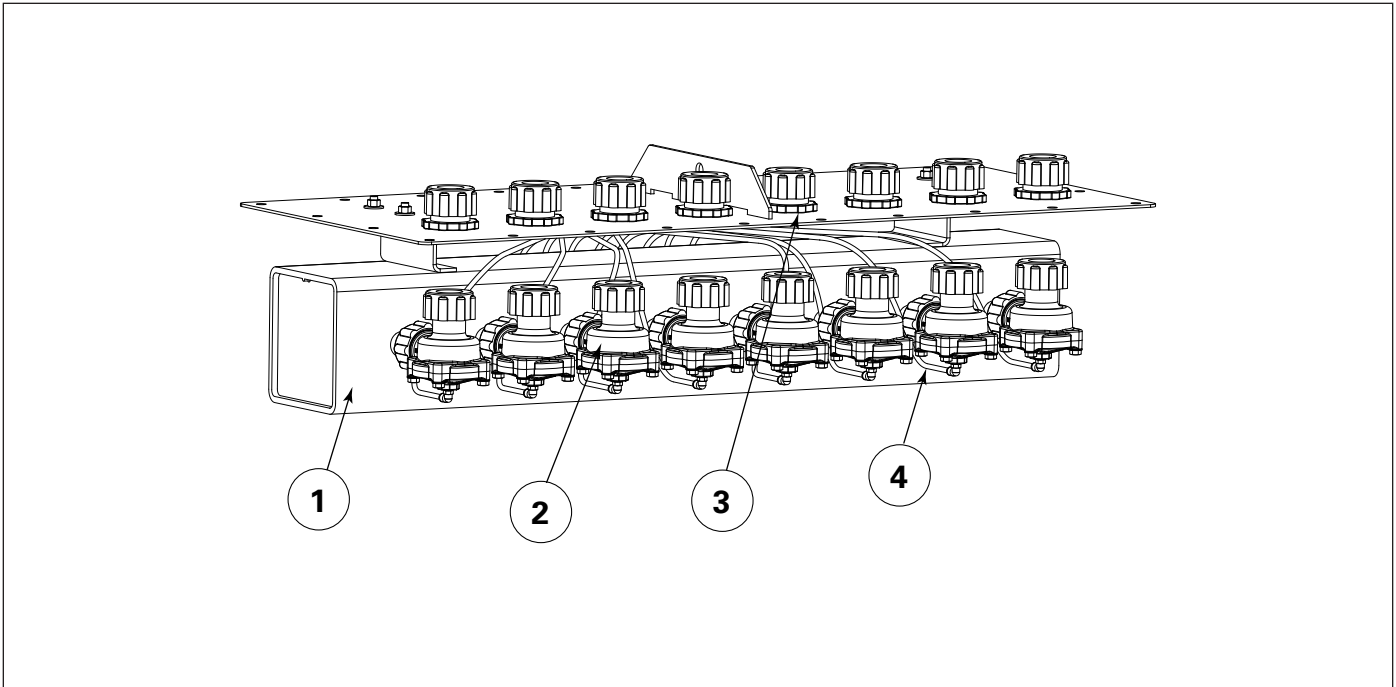
Control Box Enclosure and Timer Assembly



Control Box Enclosure and Timer Assembly

Item	Part Number	Description	Model
1	2056000	Control Box and Timer Assembly, 10-Pin	DLMC 1/2/16, 1/3/24, 1/4/32, 1/5/40, 2/2/32, 2/3/48, 2/4/64, 2/5/80
	2106500	Control Box and Timer Assembly, 20-Pin	DLMC 3/4/96
Not Illustrated			
	1905700	Control Box, 10 x 8 x 4, 10-Pin	DLMC 1/2/16, 1/3/24, 1/4/32, 1/5/40, 2/2/32, 2/3/48, 2/4/64, 2/5/80
	1850500	Control Box, 12 x 10 x 5, 20-Pin	DLMC 3/4/96
	2489500	Timer, 10-Pin 110V (timer only)	DLMC 1/2/16, 1/3/24, 1/4/32, 1/5/40, 2/2/32, 2/3/48, 2/4/64, 2/5/80
	2106600	Timer, 20-Pin 110V (timer only)	DLMC 3/4/96
	2833208	Wiring Diagram	All

Manifold Assembly

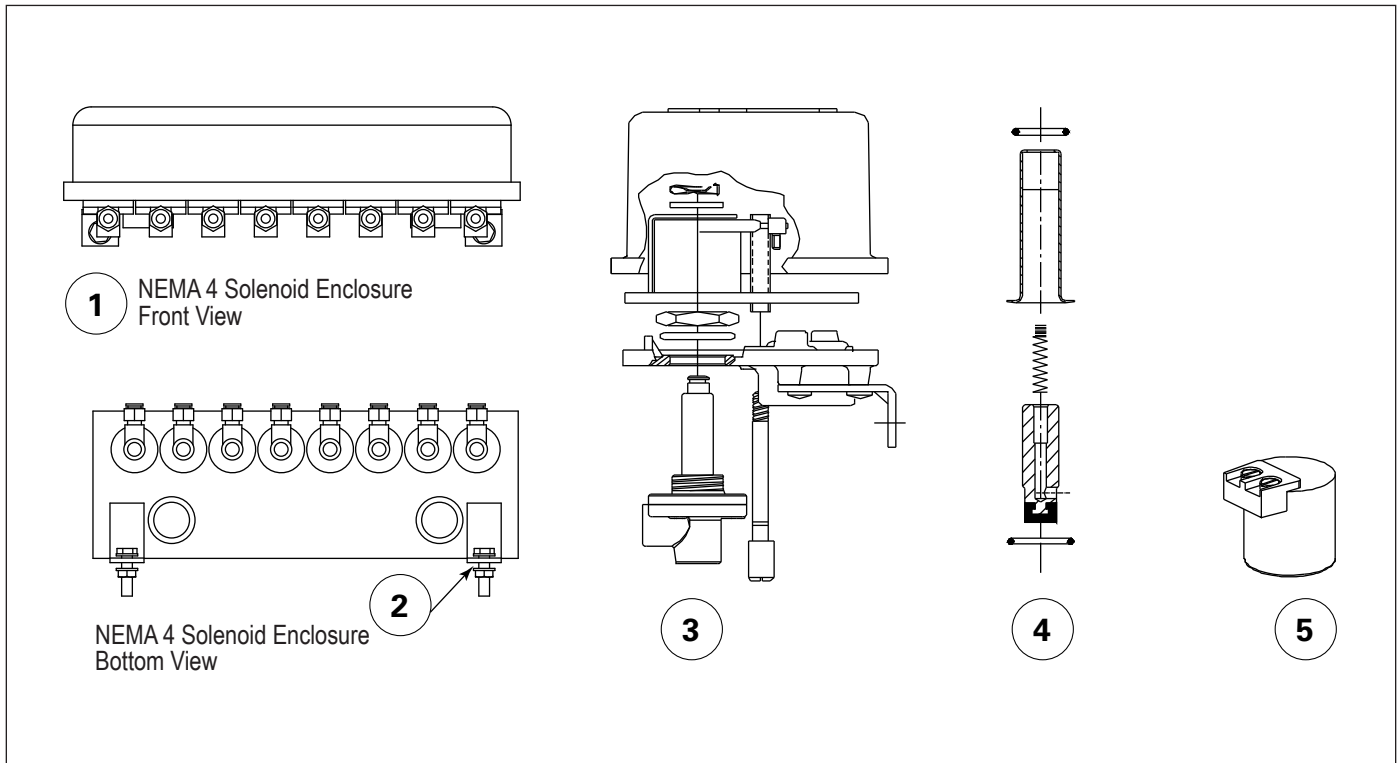


Manifold Assembly

Item	Part Number	Description	Model
1	AG8762418	Manifold Weld, 8 Valve, 7-in Square	All
2	2146400	Tubing, Black, 1/4-in OD	All
3	AG8328845	Mecair Bulk Head Connector, BH250	All
4	AG8113801	Diaphragm Valve 1-in, Goyen, RCAC25DD4000 Series, Millennium	All
Not Illustrated			
	AG8113901	Diaphragm Valve Repair Kit, Goyen, RCAC25DD4000 Series, Springless	All

Goyen® is a registered trademark of Tyco International Ltd.

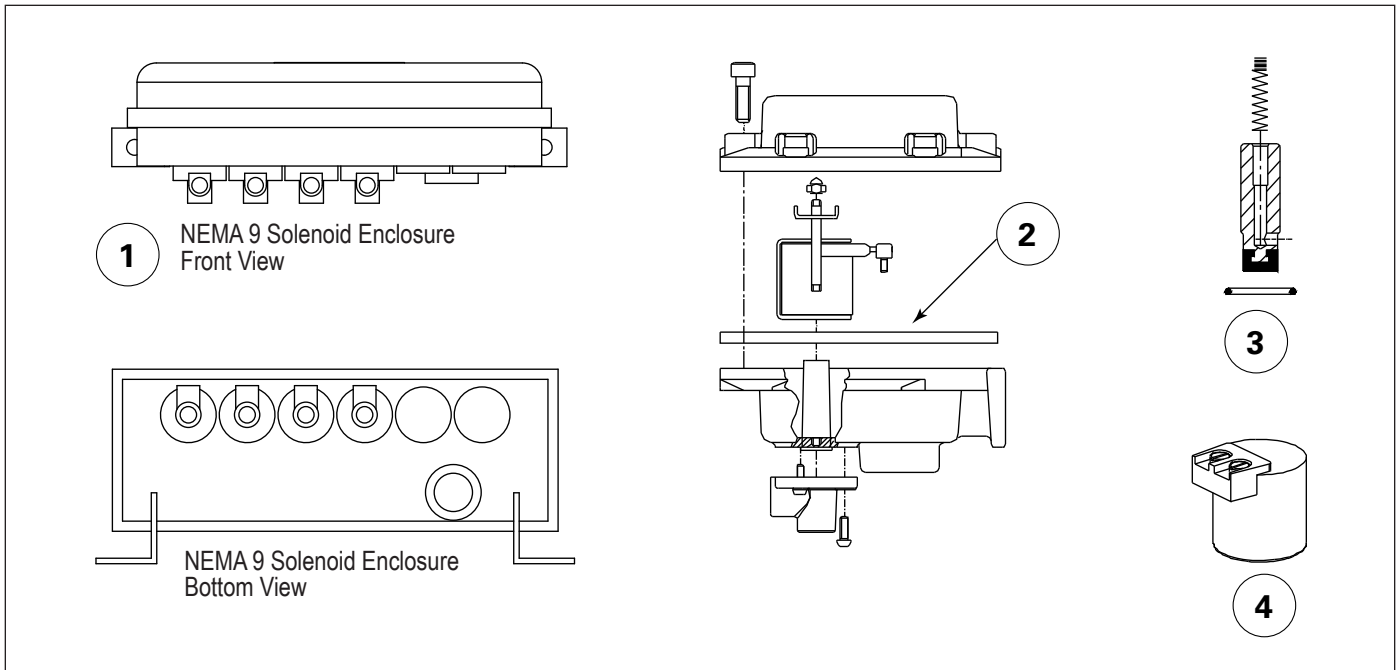
Solenoid Assembly, NEMA 4 Enclosure



Solenoid Assembly NEMA 4 Enclosure

Item	Part Number	Description	Model
1	4938409	Solenoid Enclosure, NEMA 4	All
2	2146100	1/4-in OD Plastic Push-In x 1/8-in NPT Male Connector	All
3	2295800	Solenoid Valve with Coil, 1/8-in NPT, 120-Volt AC	All
4	2463600	Solenoid Valve Rebuild Kit, 1/8-in NPT	All
5	2540900	Solenoid Valve Coil, 120-Volt AC	All
Not Illustrated			
	2146400	1/4-in OD Polyethylene Tubing	All

Solenoid Assembly, NEMA 7 and 9 Explosion-Proof Enclosure

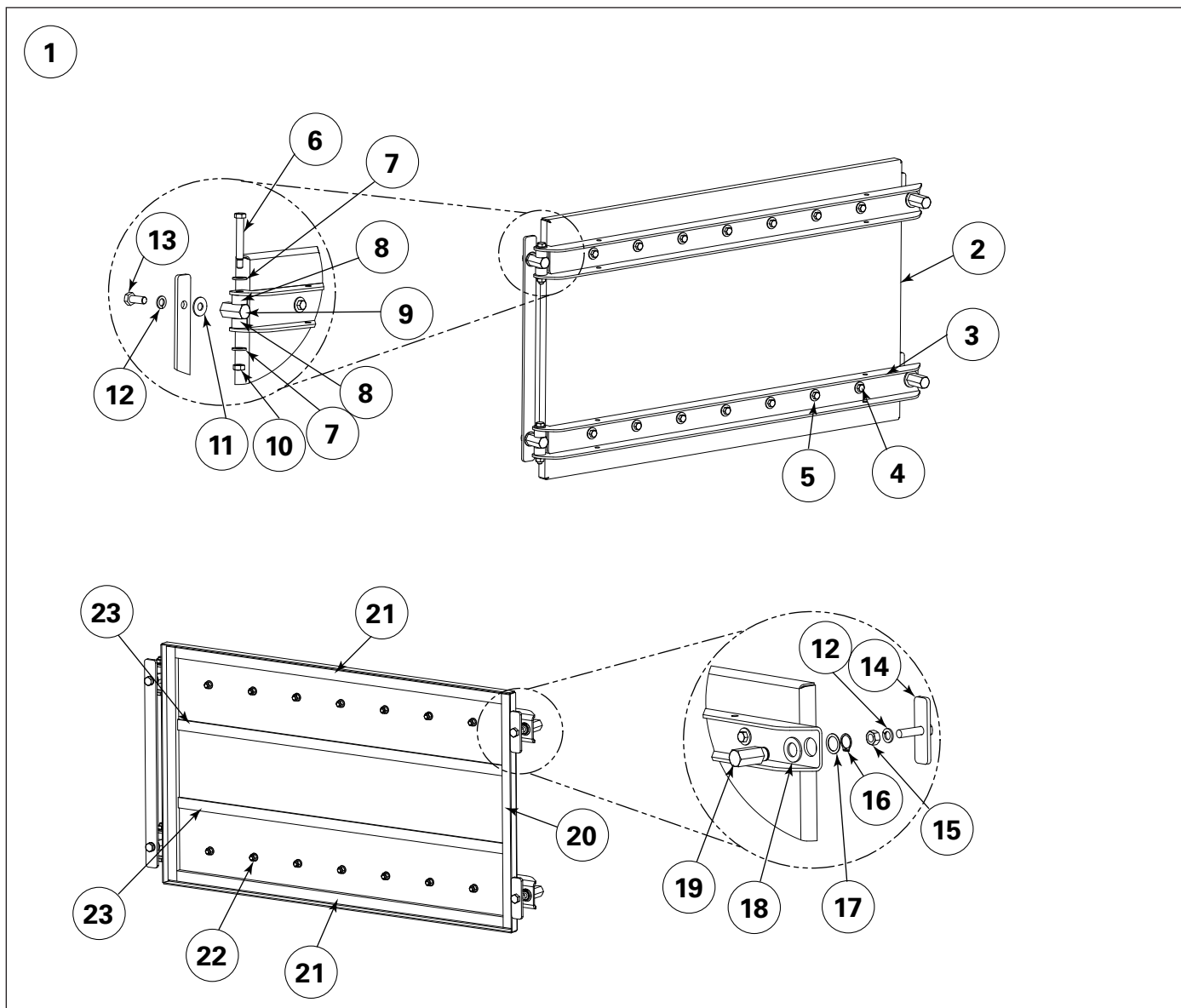


Solenoid Valve, NEMA 7 and 9 Explosion-Proof Enclosure

Item	Part Number	Description	Model
1	3776004	Solenoid 6 Valve Enclosure, 4-Valve, 115V, No Heat, NEMA 7, 9	All
	3776010	Solenoid 6 Valve Enclosure, 4-Valve with Heat, NEMA 7, 9	All
2	3783200	Replacement Gasket, NEMA 9 (required)	All
3	3783100	Solenoid Valve Rebuild Kit, 1/8-in NPT	All
4	2540900	Solenoid Valve Coil, 120-Volt AC	All
Not Illustrated			
	2146400	1/4-in OD Polyethylene Tubing	All
	3783000	Replacement Thermostat, 115-Volt AC	All
	2146200	Elbow, 1/4-OD Tube, Push-In x 1/8-in NPT	All

This Page Intentionally Left Blank

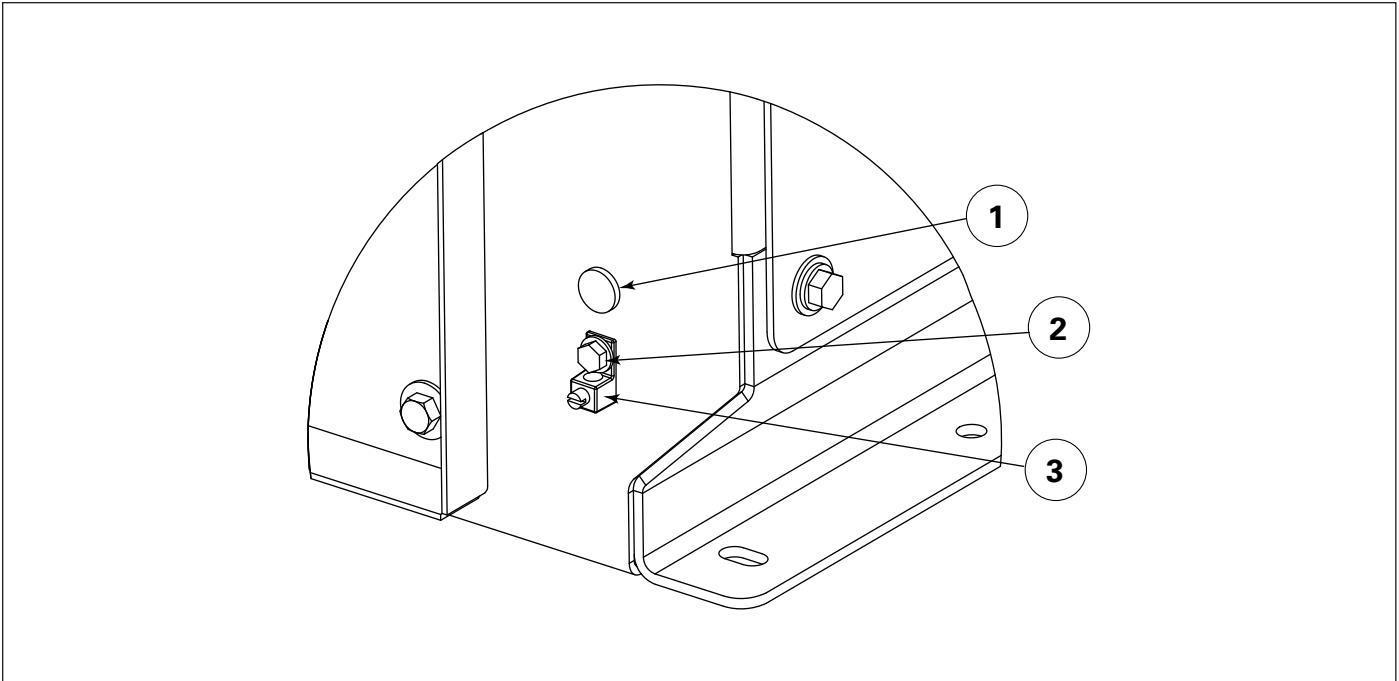
Door Assembly



Door Assembly

Item	Part Number	Description	Model
1	AG8762201	Door Assembly, Filter Access	All
2	AG8762401	Door Weld Filter Access DLMC G2	All
3	AG8762602	Channel Door Hinge DLMC G2	All
4	0900804	Bolt, Hex, Steel, Zinc Plated, G1, 3/8-16 x 1 RoHS	All
5	0900608	Washer, Flat, Zinc Plated Type A 3/8 RoHS Series W	All
6	AG8399801	Shoulder Screw, M10-1.5 x 70-in Long,ROHS	All
7	9397412	Washer, Flat, Steel, Zinc Plated Type A M12 ROHS	All
8	AG8762901	Spacer Door Hinge, Aluminum, 1.00-in OD x .63-in Long	All
9	AG8399712	Hinge Pillar, 1.78 AL DLMC ROHS	All
10	0920003	Nut, Hex, Steel, Zinc Plated, PIN 934 ROHS M10-1.5	All
11	0900609	Washer, Flat, Steel, Zinc Plated, Type A 7/16 ROHS Series W	All
12	9397207	Lock Washer, Split Metric M12 ROHS	All
13	0919606	Bolt, Hex, Steel, Zinc Plated, CL8.8 M12-1.75 x 30-in Long, ROHS	All
14	AG8399602	Fastener Stud Weld Extended	All
15	0920004	Nut, Hex, Steel, Zinc Plated, DIN 934 ROHS M12-1.75	All
16	9478701	Retaining Ring, External DIN ROHS	All
17	AG8762902	Shim, Filter Access Cover, 22mm ID ROHS	All
18	9397414	Washer, Flat, Steel, Zinc Plated, Type A M20 ROHS	All
19	9326101	Door Fastener ROHS	All
20	AG8762801	Gasket Door 1/2-in x 1-in x 36.88-in Long	All
21	AG8762802	Gasket Door 1/2-in x 1-in x 22.50-in Long	All
22	4437807	Washer Galvanized Steel EPDM Bonded Sealing ROHS 3/8 NCH	All
23	AG8762912	Gasket Closed Cell 3/16-in Thick x 1.00-in Wide with PSA	All

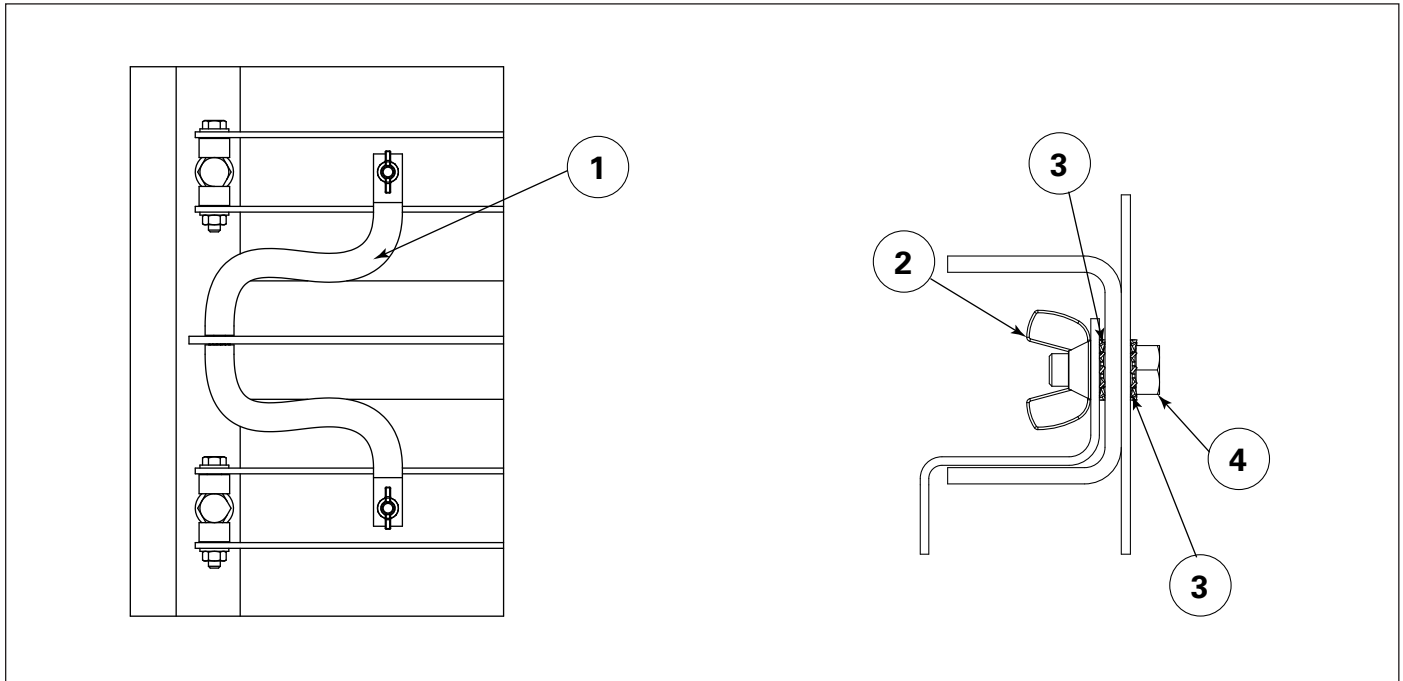
Static Grounding Lug



Static Grounding Lug

Item	Part Number	Description	Model
1	2674500	Grounding Lug ID Tag	Static Earthed
2	0903505	Screw, SD Haredwre, TEK 3 Steel Zinc Plated, 1/4-14 X 3/4 ROHS	Static Earthed
3	4024200	Ground Lug	Static Earthed
Not Illustrated			
	AD3070901	Label, Grounding Terminal	Static Earthed

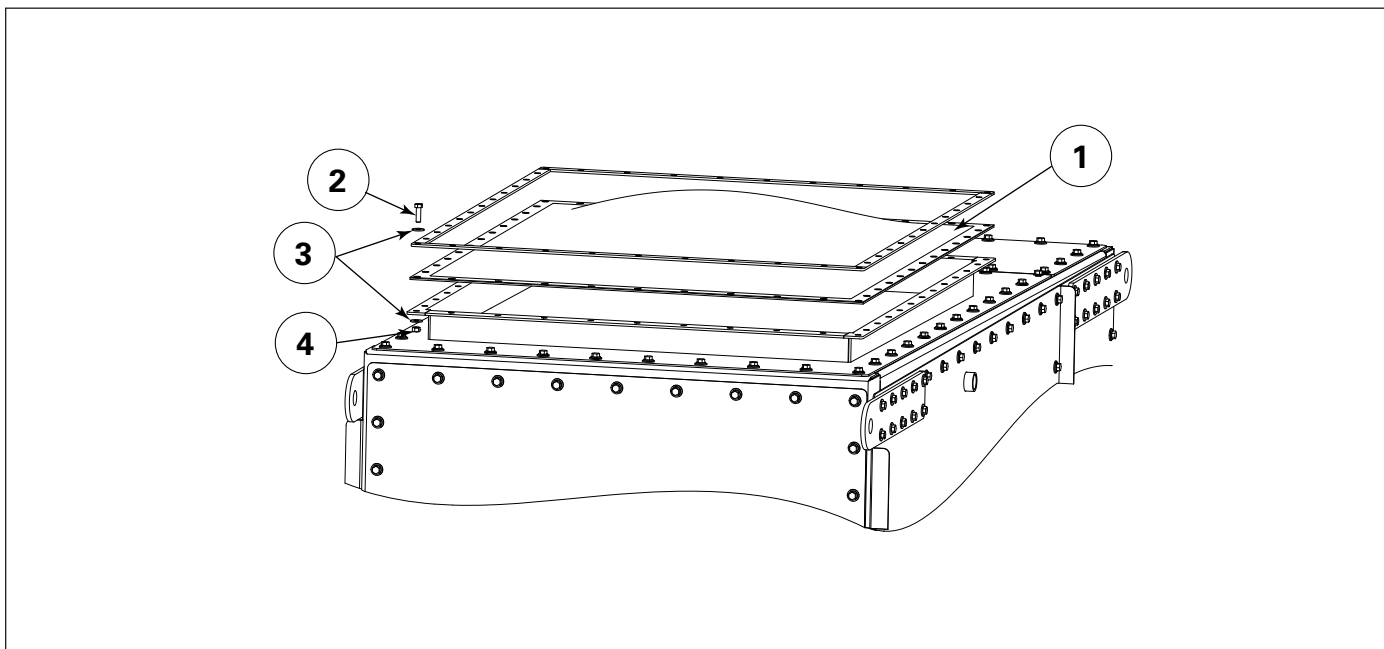
Access Door Grounding Strap



Access Door Grounding Strap

Item	Part Number	Description	Model
1	AG8762908	Grounding Strap, Filter Access Doors	All
2	AG8762909	Nut Wing 3/8-16, Steel Plated, ROHS	All
3	AG8762910	Washer, Lock Ext Tooth, Steel, Zinc Plated, 3/8 ROHS	All
4	0900804	Bolt, Hex, Steel, Zinc Plated, G1, 3/8-16 x 1 RoHS	All

Explosion Relief Panel



Explosion Relief Panel

Item	Part Number	Description	Model
1	AG8762903	Explosion Vent Panel, IEP GE Series, Domed Panel, 36 x 44	All
2	0900805	Bolt, Hex, Steel, Zinc Plated, G1 3/8-16 x 1-1/4-in Long, ROHS	All
3	0900608	Washer, Flat, Zinc Plated Type A, 3/8-in ROHS Series W	All
4	0901110	Hex Nut, Steel, G2, Zinc Plated, 3/8-16 ROHS	All

Product Information (Process Owner to complete and retain for your records)

Model Number _____	Serial Number _____
Ship Date _____	Installation Date _____
Filter Type _____	
Collected Dust _____	
Dust Properties: Kst _____	Pmax _____ MIE _____ MEC _____
Accessories _____	
Other _____	

Donaldson Industrial Air Filtration Warranty

Donaldson warrants to the original purchaser only that the Goods will be free from defects in material and manufacture for the applicable time periods stated below: (1) Major structural components for a period of ten (10) years from the date of shipment; (2) Non-Structural, Donaldson-built components and accessories including Donaldson Airlocks, TBI Fans, TRB Fans, Fume Collector products, Donaldson built electrical control components, and Donaldson-built Afterfilter housings for a period of twelve (12) months from date of shipment; and (3) Donaldson-built filter elements for a period of eighteen (18) months from date of shipment.

Buyer is solely responsible for determining if goods fit Buyer's particular purpose and are suitable for Buyer's process and application. Seller's statements, engineering and technical information, and recommendations are provided for the Buyer's convenience and the accuracy or completeness thereof is not warranted. If, after Seller receives written notice, within the warranty period, that any goods allegedly do not meet Seller's warranty, and Seller, in its sole discretion, determines that such claim is valid, Seller's sole obligation and Buyer's exclusive remedy for breach of the foregoing warranty or any Seller published warranty, will be, at Seller's option, either: (i) repair or replacement of such goods or (ii) credit or refund to Buyer for the purchase price from Seller. In the case of repair or replacement, Seller will be responsible for the cost of shipping the parts but not for labor to remove, repair, replace or reinstall the allegedly defective goods. Refurbished goods may be used to repair or replace the goods and the warranty on such repaired or replaced goods shall be the balance of the warranty remaining on the goods which were repaired or replaced. Any repair or rework made by anyone other than Seller is not permitted without prior written authorization by Seller, and voids the warranty set forth herein. Seller warrants to Buyer that it will perform services in accordance with the Sales Documents using personnel of required skill, experience and qualifications and in a professional and workmanlike manner in accordance with generally recognized industry standards for similar services. With respect to any services subject to a claim under the warranty set forth above, Seller shall, in its sole discretion, (i) repair or re-perform the applicable services or (ii) credit or refund the price of such services at the pro rata contract rate and such shall be Seller's sole obligation and the exclusive remedy for breach of the foregoing warranty on services. Products manufactured by a third party ("Third Party Product") may constitute, contain, be contained in, incorporated into, attached to or packaged together with, the goods. Buyer agrees that: (a) Third Party Products are excluded from Seller's warranty in this Section 7 and carry only the warranty extended by the original manufacturer, and (b) Seller's liability in all cases is limited to goods of Seller's design and manufacture only. EXCEPT FOR SELLER'S WARRANTY OF TITLE TO THE GOODS, SELLER EXPRESSLY DISCLAIMS AND EXCLUDES ALL OTHER WARRANTIES WHATSOEVER, WHETHER, EXPRESSED OR IMPLIED, ORAL, STATUTORY, OR OTHERWISE, INCLUDING BUT NOT LIMITED TO MERCHANTABILITY, FITNESS FOR A PARTICULAR PURPOSE, NON-INFRINGEMENT OF THIRD PARTY INTELLECTUAL PROPERTY AND ANY WARRANTIES ARISING FROM TECHNICAL ADVICE OR RECOMMENDATIONS, COURSE OF DEALING OR OF PERFORMANCE, CUSTOM OR USAGE OF TRADE. Seller's obligations do not cover normal wear and tear or deterioration, defects in or damage to any goods resulting from improper installation, accident or any utilization, maintenance, repair or modification of the goods, or any use that is inconsistent with Seller's instructions as to the storage, installation, commissioning or use of the goods or the designed capabilities of the goods or that, in its sole judgment, the performance or reliability thereof is adversely affected thereby, or which is subjected to abuse, mishandling, misuse or neglect or any damage caused by connections, interfacing or use in unforeseen or unintended environments or any other cause not the sole fault of Seller, and shall be at Buyer's expense. Seller's warranty is contingent upon the accuracy of all information provided by Buyer. Any changes to or inaccuracies in any information or data provided by Buyer voids this warranty. Seller does not warrant that the operation of the goods will be uninterrupted or error-free, that the functions of the goods will meet Buyer's or its customer's requirements unless specifically agreed to, or that the goods will operate in combination with other products selected by Buyer or Buyer's customer for its use.

The terms of this warranty may only be modified by a special warranty document signed by a Director, General Manager or Vice President of Donaldson. To ensure proper operational performance of your equipment, use only genuine Donaldson replacement parts.

This Product is provided subject to and conditioned upon Donaldson's Terms of Sale ("Terms"), a current copy of which is located at termsofsale.donaldson.com. These Terms are incorporated herein by reference. By purchasing or using this Product, the user accepts these Terms. The Terms are available on our website or by calling our customer service line at 1-800-365-1331.

Donaldson's comprehensive dust collection solutions help process owners effectively address their dust, fume, and mist collection challenges by providing knowledgeable guidance, industry-leading equipment as well as unrivaled aftermarket service and support.



Donaldson Company, Inc.
Minneapolis, MN

donaldson.com • shop.donaldson.com

North America

Email: donaldsontorrit@donaldson.com
Phone: (USA): +1-800-365-1331

Latinoamerica

Phone: +52-449-300-2442
Email: industrialair@donaldson.com
Toll Free: (CO) (57) 601-580-1611
(CL) +800-914-544 • (PE) +800-712-10
(BR) +55 (11) 99707-6689

China

Email: info.cn@donaldson.com
Phone: +86-400-921-7956

Donaldson Europe B.V.

Email: IAF-europe@donaldson.com
Phone: +32-16-38-3811

India

Email: info.difs@donaldson.com
Phone: +91-124-4807-400 • +18001035018

Australasia

Email: marketing.australia@donaldson.com
Phone: +61-02-4350-2066
Toll Free: (AU) +1800-345-837 • (NZ) +0800-743-387

Korea

Email: contactus.kr@donaldson.com
Phone: +82-2-517-3333

South Africa

Email: SAMarketing@donaldson.com
Phone: +27-11-997-6000

Southeast Asia

Email: IAF.SEA@donaldson.com
Phone: +65-6311-7373

Japan

Email: jp-ndi.ifsw@donaldson.com
Phone: +81-42-540-4114

IMPORTANT NOTICE: Many factors beyond the control of Donaldson can affect the use and performance of Donaldson products in a particular application, including the conditions under which the product is used. Since these factors are uniquely within the user's knowledge and control, it is essential the user evaluate the products to determine whether the product is fit for the particular purpose and suitable for the user's application. All products, product specifications, availability and data are subject to change without notice, and may vary by region or country.

RPL AG8778101 ENG, Revision 0 (May 2024) ©2024 Donaldson Company, Inc. All rights reserved. Donaldson Company, Inc. reserves the right to change or discontinue any model or specification at any time and without notice.