



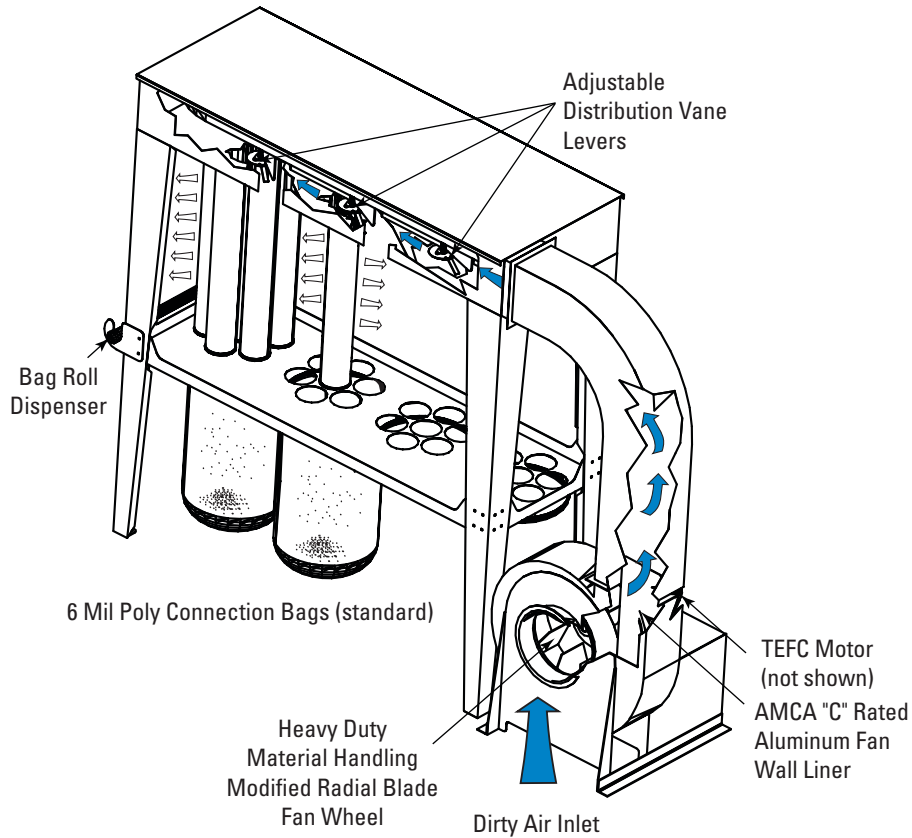
**460-IRD**

(shown with optional shaker)

An easy and economical solution for a wide range of wood dust collection applications.

- Complete dust collection package includes fan, fan motor, push-button fan starter, bag filters and clear plastic dust disposal bags
- Fan provides high vacuum pressure with low operating sound levels for cleaner workplaces and lower sound levels
- Down flow air pattern allows airflow and gravity to move filtered dust to collection receptacles for longer bag filter life and reduced pressure drop
- Adjustable airflow baffles equalize dust dispersion to all collection receptacles, which minimizes emptying cycles
- Cageless filters and tool-free filter replacement reduce maintenance time
- Filtered air returning to interior workspace reduces HVAC costs
- Dura-Life™ "Twice the Life" bag filters provide longer bag life, which reduces maintenance costs and lowers pressure drop
- Optional automatic shaker is available for better collector performance
- Fans with higher static pressure are available for more demanding applications

## OPERATIONAL EXPLANATION



Dust laden air is pushed into the dirty air plenum by a high volume, high pressure heavy duty material handling fan. The dusty air is evenly distributed down inside of the high flow polyester bags which capture the dust and allow clean air to pass back into the work environment. Dust captured inside the bag is carried down into the dust receptacles at the bottom of the collector via gravity and airflow. An optional automatic shaker is available for even better collector performance.

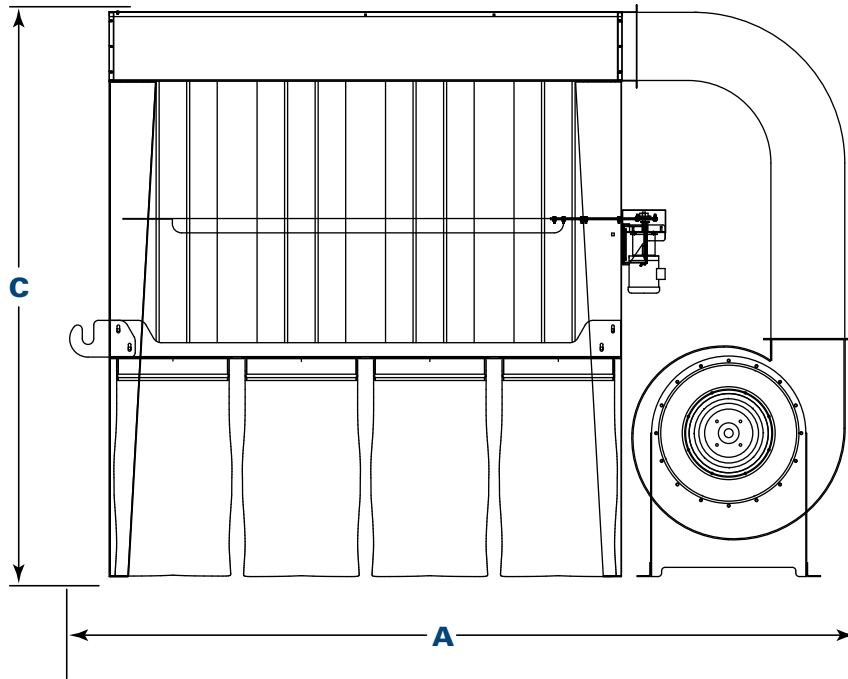
Model	Fan (hp)	Air Volume / Static Pressure at Fan Inlet ("wg)*															
		6		7		8		9		10		11		12		13	
		cfm	m <sup>3</sup> /h	cfm	m <sup>3</sup> /h	cfm	m <sup>3</sup> /h	cfm	m <sup>3</sup> /h	cfm	m <sup>3</sup> /h	cfm	m <sup>3</sup> /h	cfm	m <sup>3</sup> /h	cfm	m <sup>3</sup> /h
260-IRD-5R†	5	—	—	—	—	—	—	—	—	1550	2633	1450†	2463†	1350	2293	1225	2081
260-IRD-7.5	7.5	3600	6115	2350	3992	—	—	—	—	—	—	—	—	—	—	—	—
360-IRD-7.5R	7.5	—	—	—	—	—	—	—	—	2175	3695	2025	3400	1850	3143	1650	2803
360-IRD-10	10	—	—	—	—	3700	6285	2850	4841	2125	3610	—	—	—	—	—	—
360-IRD-10R	10	—	—	—	—	—	—	—	—	2900	4926	2675	4544	2450	4162	2250	3822
360-IRD-15	15	—	—	—	—	4800	8154	4050	6880	2400	4077	—	—	—	—	—	—
460-IRD-15	15	—	—	—	—	4800	8154	4050	6880	2400	4077	—	—	—	—	—	—
460-IRD-15R	15	—	—	—	—	—	—	—	—	5050	8578	4350	7389	3900	6625	—	—
460-IRD-20	20	—	—	—	—	6875	11678	6375	10829	5875	9980	5325	9045	—	—	—	—

\* Table data allows for 2 "wg collector loss with clean bag filters.

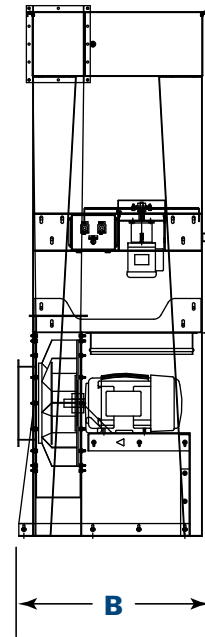
\*\* Models with "R" at the end have higher static fans.

† Italic type is typical airflow applications.

## DIMENSIONS & SPECIFICATIONS



**Model 460-IRD-20**  
(shown w/optional shaker motor)  
Front View



**Model 460-IRD-20**  
Side View

Model	Nominal Airflow Range*		Cloth Area		No. of Bag Filters	No. of Dust Collection Receptacles	Dust Capacity w/ plastic bags		Motor (hp)
	cfm	m <sup>3</sup> /h	ft <sup>2</sup>	m <sup>2</sup>			ft <sup>3</sup>	m <sup>3</sup>	
260-IRD-5R**	1350 - 1450	2,293 - 2,463	128	11.9	14	2	20	0.6	5
260-IRD-7.5	2350 - 3600	3,992 - 6,115	128	11.9	14	2	20	0.6	7.5
360-IRD-7.5R	1850 - 2025	3,143 - 3,440	192	17.8	21	3	30	0.8	7.5
360-IRD-10	2850 - 3700	4,841 - 6,285	192	17.8	21	3	30	0.8	10
360-IRD-10R	2450 - 2675	4,162 - 4,544	192	17.8	21	3	30	0.8	10
360-IRD-15	4050 - 4800	6,880 - 8,154	192	17.8	21	3	30	0.8	15
460-IRD-15	4050 - 4800	6,880 - 8,154	257	23.9	28	4	40	1.1	15
460-IRD-15R	3900 - 4350	6,625 - 7,389	257	23.9	28	4	40	1.1	15
460-IRD-20	5875 - 6375	9,980 - 10,829	257	23.9	28	4	40	1.1	20

Model	Shipping Weight		Dimensions					
	lb	kg	A		B		C	
			in	mm	in	mm	in	mm
260-IRD-5R**	1100	499.0	96.4	2448.6	43.9	1115.1	124.6	3164.8
260-IRD-7.5	1360	616.9	104.1	2644.1	45.3	1150.6	124.6	3164.8
360-IRD-7.5R	1300	589.7	124.7	3167.4	43.9	1115.1	124.6	3164.8
360-IRD-10	1710	775.6	132.7	3370.6	44.4	1127.8	124.6	3164.8
360-IRD-10R	1350	612.3	124.1	3152.1	43.9	1115.1	124.6	3164.8
360-IRD-15	1890	857.3	137.1	3482.3	45.5	1155.7	124.6	3164.8
460-IRD-15	2070	938.9	165.1	4193.5	45.5	1155.7	124.6	3164.8
460-IRD-15R	2140	970.7	170.5	4330.7	45.1	1145.5	124.6	3164.8
460-IRD-20	2200	997.9	170.5	4330.7	45.3	1150.6	124.6	3164.8

\* Table data allows for 2 "wg collector loss with clean bag filters.

\*\* Models with "R" at the end have higher static fans.

## STANDARD FEATURES & AVAILABLE OPTIONS

Collector Design	Std	Opt	Paint System	Std	Opt
Down Flow Design	X		Durable Industrial Finish	X	
Airflow Balancing Baffles and Levers	X		Standard Colors: Torit Blue or Storm White	X	
Cageless Filter Design	X		<b>Dust Collection Receptacles</b>		
Tool-Free Filter Removal	X		50 - 6 Mil Clear Plastic Disposal Bags with 10 Cubic Foot (0.3 m <sup>3</sup> ) Capacity	X	
Minimum 14-Gauge Carbon Steel Construction	X		Quick Opening Cam Clamps for Disposal Bag Change	X	
12 Gauge Carbon Steel Tubesheet	X		<b>Support Structure<sup>†</sup></b>		
Integral Dust Disposal Bag Storage Rack	X		10 Gauge Carbon Steel Construction	X	
Direct Drive High Output Material Handling Fan	X		<b>Electrical Controls, Gauges &amp; Enclosures</b>		
AMCA "C" Rated Aluminum Fan Wall Liner	X		Push Button Magnetic Fan Starter in NEMA 1 Enclosure	X	
230/460, 3 Phase TEFC NEMA Premium** Efficient Motor	X		Shaker Controls in NEMA 4 Enclosure (comes with the following features)		
Filter-to-Fan Transition	X		• Manual and Automatic Shake Switch		X
1/3 HP Auto Shaker		X	• On-Time Automatic Shake Adjustment Dial		
Exterior Weather Kit		X	• Off-Time Automatic Shake Adjustment Dial		
			• 120 Volt Cord		
<b>Bag Filters</b>			<b>Warranty</b>		
7 in (177.8 mm) Diameter x 60 in (1524 mm) Long Dura-Life™ Polyester Bag Filters	X		10-Year Warranty	X	

\* All 60 Hz motors 1 HP and above are EISA compliant. NEMA Premium is a registered trademark of National Electrical Manufacturers Association.

† Donaldson Torit equipment is designed to IBC guidelines for specific wind speed exposure and seismic spectral acceleration at grade level. Contact your Donaldson Torit representative for detailed information available on the equipment's Spec Control drawings. Equipment may be customized to meet unique, customer-specified site requirements.

### NFPA

The IRD meets definitions of an enclosureless collector as defined in:

- NFPA 654 2017 7.13.1.1.2 (4) a, d, e, j
- NFPA 664 2017 8.2.2.6.1.4 (1)-(4) and 8.2.2.6.1.6 (7) c, d.

Please note that there are application parameters that the end user must meet.

Significantly improve the performance of your collector with genuine Donaldson Torit replacement filters and parts. **Call Donaldson Torit at 800-365-1331.**

#### Important Notice

Many factors beyond the control of Donaldson can affect the use and performance of Donaldson products in a particular application, including the conditions under which the product is used. Since these factors are uniquely within the user's knowledge and control, it is essential the user evaluate the products to determine whether the product is fit for the particular purpose and suitable for the user's application. All products, product specifications, availability and data are subject to change without notice, and may vary by region or country.



Donaldson Company, Inc.  
Minneapolis, MN  
[donaldson.com](http://donaldson.com) • [shop.donaldson.com](http://shop.donaldson.com)

**North America**  
Email: [donaldson@donaldson.com](mailto:donaldson@donaldson.com)  
Phone: (USA): 800-365-1331 • (MX): 800-343-3639

**Australasia**  
Email: [marketing.australia@donaldson.com](mailto:marketing.australia@donaldson.com)  
Phone: +61 2 4350 2000  
Toll Free: (AU) 1800 345 837 • (NZ) 0800 743 387

F118150 ENG (09/18) IRD Dust Collector ©2011-2018 Donaldson Company, Inc.

Donaldson, Torit, Dura-Life and the color blue are marks of Donaldson Company, Inc. All other marks belong to their respective owners.

**China IAF**  
Email: [info.cn@donaldson.com](mailto:info.cn@donaldson.com)  
Phone: (86) 400-820-1038

**Donaldson Europe B.V.B.A.**  
Email: [IAF-europe@donaldson.com](mailto:IAF-europe@donaldson.com)  
Phone: +32 (0) 16 38 38 11

**India**  
Email: [marketing.India@donaldson.com](mailto:marketing.India@donaldson.com)  
Phone: +91 124 4807400  
Toll Free: 18001035018

**Latinoamerica**  
Email: [IndustrialAir@donaldson.com](mailto:IndustrialAir@donaldson.com)  
Phone: +52 449 300 2442

**South Africa**  
Email: [SAMarketing@donaldson.com](mailto:SAMarketing@donaldson.com)  
Phone: +27 11 997 6000

**Southeast Asia IAF**  
Email: [IAF.SEA@donaldson.com](mailto:IAF.SEA@donaldson.com)  
Phone: (65) 63117373