

Donaldson®
Torit®

**AMBIENT
COLLECTION SYSTEM**
MODEL AT-3000

ULTRA-WEB®
High Efficiency **Fine Fiber Filters** Built to Last

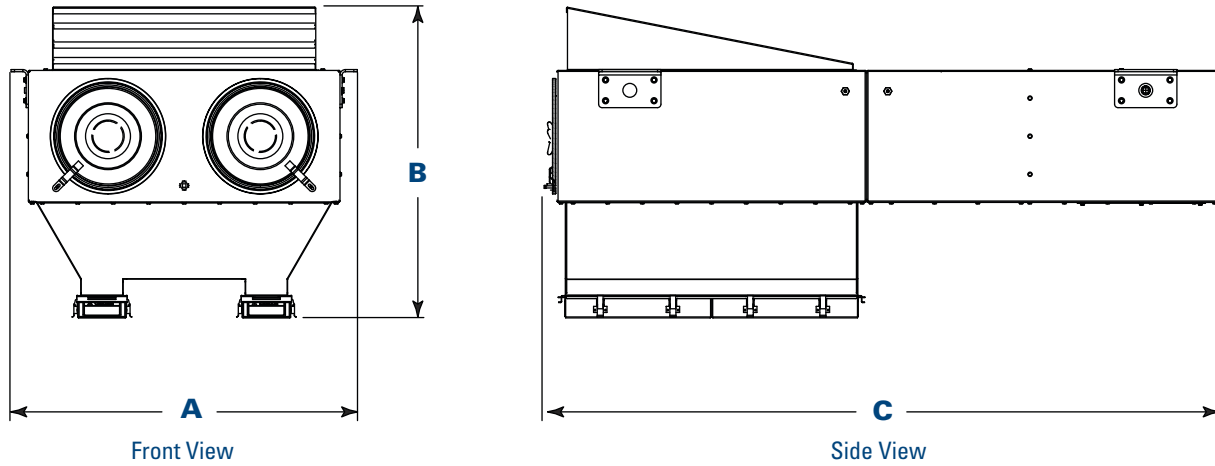


AT-3000

A self-contained, continuous cleaning, ceiling-mount general ventilation system.

- Ceiling mount system saves valuable plant floor space, allowing installation in locations previously inaccessible to high efficiency dust collectors
- Easy filter changeout for quick maintenance
- Ultra-Web® FR cartridge filters provide high filtration efficiency and long filter life
- MERV* 15 filtration efficiency rating per ASHRAE 52.2-2007
- Recirculation of clean air reduces need for costly make-up air
- FLUENT®** designed inlet and dust hopper minimize fume re-entrainment and reduce maintenance expense.
- Four small, easy-handling dust pans are lightweight even when full and allow quick dust disposal
- Provides a cleaner work environment for maximum productivity

DIMENSIONS & SPECIFICATIONS



Models	Nominal Airflow Range**		Filter Area		No. of Filters Ultra-Web® FR	No. of 3/4" (19.05 mm) Valves	Inlet Velocity		Dimensions		Shipping Weight		Sound Level dB(A)†
	cfm	m³/h	ft²	m²			fpm	m/min	in	mm	lb	kg	
AT-3000	2,900	4,926	636	59.1	4	2	1,325	403.9	50.0 x 44.9 x 97.4	1270 x 1140.5 x 2474	900	32.2	71

STANDARD FEATURES & AVAILABLE OPTIONS

STANDARD	OPTIONAL
Ultra-Web® FR cartridge filters	Magnehelic*** gauge
208/230/460/60/3 voltage	Photohelic*** gauge
3 hp TEFC blower motor	Hopper
10-year warranty	Solenoid valve silencer

* The Minimum Efficiency Reporting Value (MERV) of this filter cartridge has been determined through independent laboratory testing using ASHRAE 52.2 (2007) test standards. The MERV rating was determined at a face velocity of 118 feet per minute (36.0 meters per minute) and loading up to four inches (101.6 millimeters) water gauge. Actual efficiency of any filter cartridge will vary according to the specific application parameters. Dust concentration, airflow, particle characteristics, and pulse cleaning methods all affect filtration efficiency.

** FLUENT is a registered trademark of Fluent, Inc. Magnehelic and Photohelic are registered trademarks of Dwyer Instruments, Inc.

*** Based on clean filters.

† db(A) sound levels are an average of measurements made in a laboratory environment. Installed sound levels will vary depending on the measurement location, operating conditions, and installation.

Significantly improve the performance of your collector with genuine Donaldson Torit replacement filters and parts. **Call Donaldson Torit at 800-365-1331.**

Important Notice

Many factors beyond the control of Donaldson can affect the use and performance of Donaldson products in a particular application, including the conditions under which the product is used. Since these factors are uniquely within the user's knowledge and control, it is essential the user evaluate the products to determine whether the product is fit for the particular purpose and suitable for the user's application. All products, product specifications, availability and data are subject to change without notice, and may vary by region or country.



Donaldson Company, Inc.
Minneapolis, MN
donaldsontorit.com • shop.donaldson.com

North America
Email: donaldsontorit@donaldson.com
Phone: (USA): 800-365-1331 • (MX): 800-343-3639

Australasia
Email: marketing.australia@donaldson.com
Phone: +61 2 4350 2000
Toll Free: (AU) 1800 345 837 • (NZ) 0800 743 387

F118098 ENG (06/18) Ambient Collection AT-3000 ©2011-2018 Donaldson Company, Inc.

Donaldson, Torit, Ultra-Web and the color blue are marks of Donaldson Company, Inc. All other marks belong to their respective owners.

China IAF
Email: info.cn@donaldson.com
Phone: (86) 400-820-1038

Donaldson Europe B.V.B.A.
Email: IAF-europe@donaldson.com
Phone: + 32 (0) 16 38 38 11

India
Email: marketing.India@donaldson.com
Phone: +91 124 4807400
Toll Free: 18001035018

Latinoamerica
Email: IndustrialAir@donaldson.com
Phone: +52 449 300 2442

South Africa
Email: SAMarketing@donaldson.com
Phone: +27 11 997 6000

Southeast Asia IAF
Email: IAF.SEA@donaldson.com
Phone: (65) 63117373