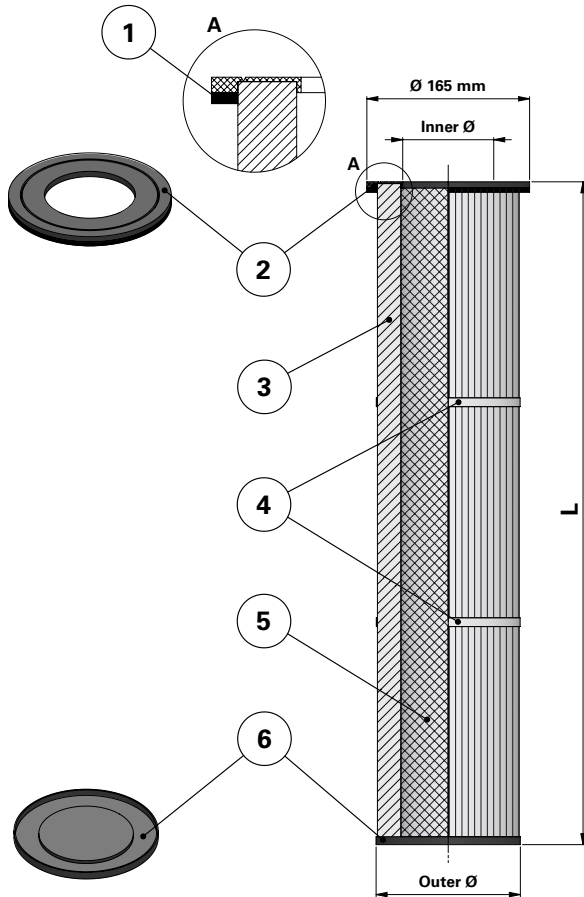
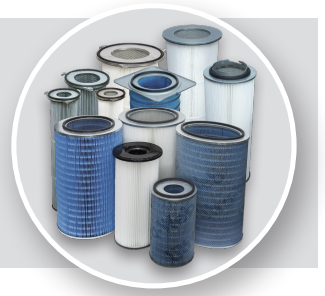


## DATA SHEET

### Replacement Elements Cartridges – Series 145 – Open Closed



#### Series 145 – Open Closed

Cartridge Filter with open top end cap and closed bottom end cap

For different brands of cartridge collectors

Without outer liner

Item	Description
1	Flat gasket
2	Top end cap
3	Media pack
4	Straps
5	Inner liner
6	Bottom end cap closed

#### Dimensions [mm]

Outer Ø	145
Inner Ø	85
L	1150

Order online

shop.Donaldson.com

Contact us

Donaldson.com

Publication DOCAM0827801 • Rev. 00 • 0218

Donaldson reserves the right to change or discontinue any model or specification at any time and without notice. Freedom from patent restrictions must not be assumed.