

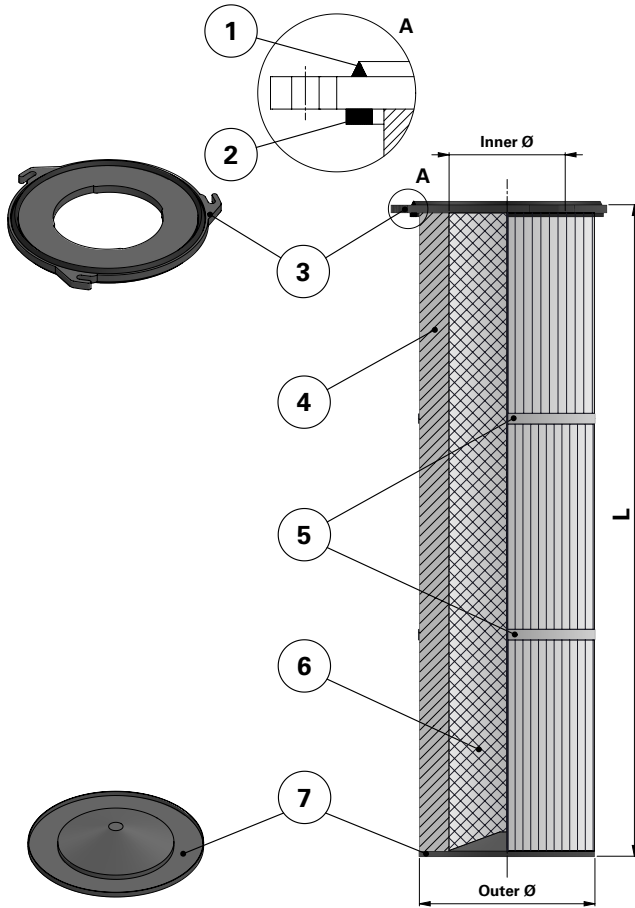
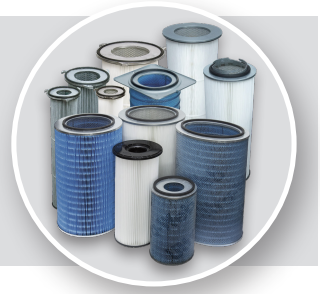


Donaldson
FILTRATION SOLUTIONS

DATA SHEET

Replacement Elements

Cartridges – Series 145 Quick Fix 3 Hook



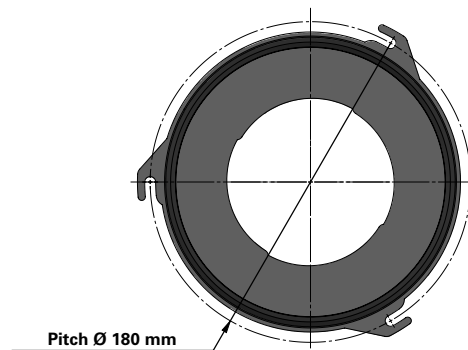
Series 145 Quick Fix 3 Hook

Cartridge Filter with open top end cap with 3 hooks, 180 mm pitch diameter and closed bottom end cap

Special feature: Dirty Air Plenum and Clean Air Plenum installation for Series 145 and other brands of cartridge collectors

Without outer liner

Top end cap quick fix



Item	Description
1	Gasket above top end cap
2	Flat gasket below top end cap
3	Top end cap quick fix
4	Media pack
5	Straps
6	Inner liner
7	Bottom end cap closed

Dimensions [mm]

Outer Ø	145
Inner Ø	94
L	300
	715
	1215
	1515
2015	
Pitch Ø	180

Order online

shop.Donaldson.com

Contact us

Donaldson.com

Publication DOCAM0820401 • Rev. 00 • 0218

Donaldson reserves the right to change or discontinue any model or specification at any time and without notice. Freedom from patent restrictions must not be assumed.