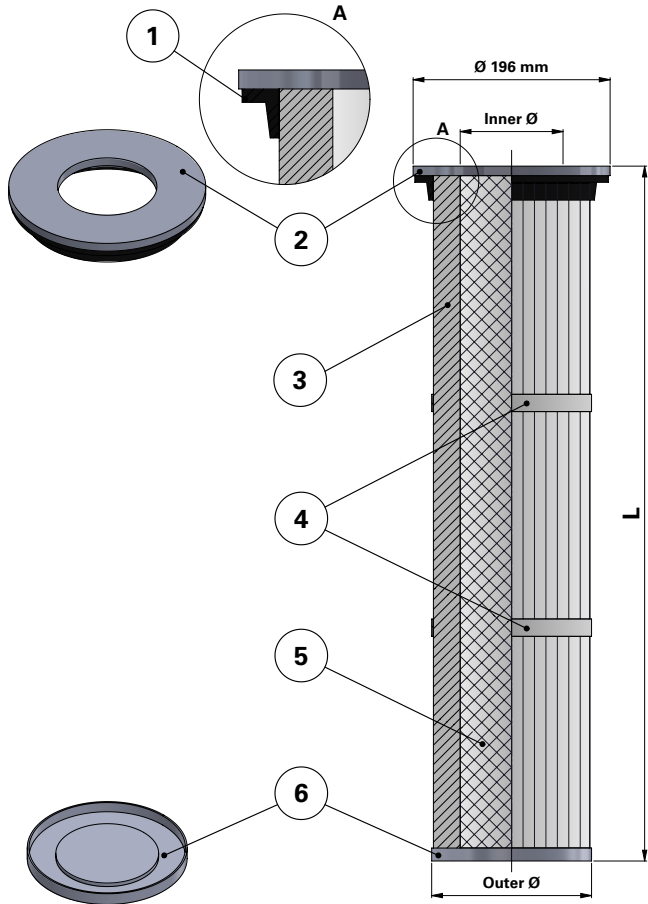
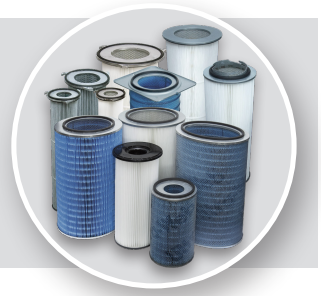




DATA SHEET

Replacement Elements

Cartridges – Series 160 – Top Load – Open Closed



Series 160 – Top Load – Open Closed

Cartridge Filter with open top end cap and closed bottom end cap

Special feature: Double gasket and Clean Air Plenum installation for different brands of cartridge collectors

Without outer liner

| Item | Description |
|------|-----------------------|
| 1 | Gasket |
| 2 | Top end cap |
| 3 | Media pack |
| 4 | Straps |
| 5 | Inner liner |
| 6 | Bottom end cap closed |

Dimensions [mm]

| | |
|---------|-----|
| Outer Ø | 160 |
| Inner Ø | 85 |
| L | 985 |

[Order online](https://shop.Donaldson.com)
shop.Donaldson.com

Contact us
Donaldson.com

Publication DOCAM0826201 • Rev. 00 • 0218

Donaldson reserves the right to change or discontinue any model or specification at any time and without notice. Freedom from patent restrictions must not be assumed.