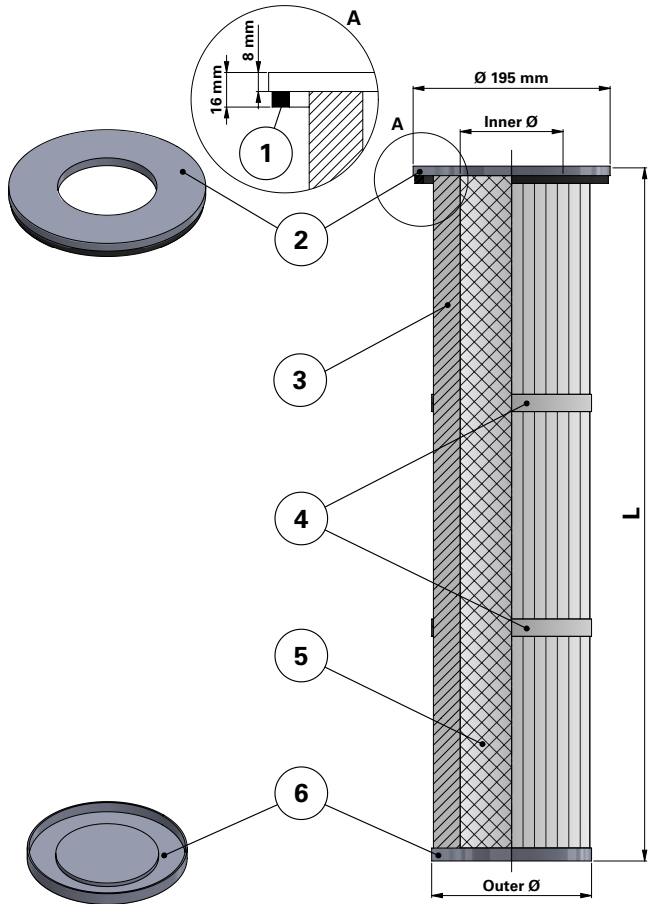
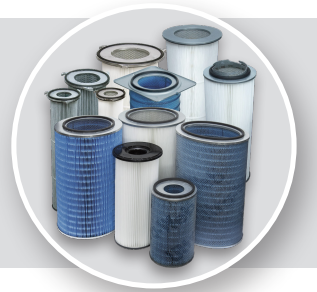




DATA SHEET

Replacement Elements

Cartridges – Series 160 – Top Load – Open Closed



Series 160 – Top Load – Open Closed

Cartridge Filter with open top end cap and closed bottom end cap

For different brands of cartridge collectors

Without outer

Item	Description
1	Gasket
2	Top end cap
3	Media pack
4	Straps
5	Inner liner
6	Bottom end cap closed

Dimensions [mm]

Outer Ø	160
Inner Ø	105
L	985

[Order online](https://shop.Donaldson.com)
shop.Donaldson.com

Contact us
Donaldson.com

Publication DOCAM0821401 • Rev. 00 • 0218

Donaldson reserves the right to change or discontinue any model or specification at any time and without notice. Freedom from patent restrictions must not be assumed.