

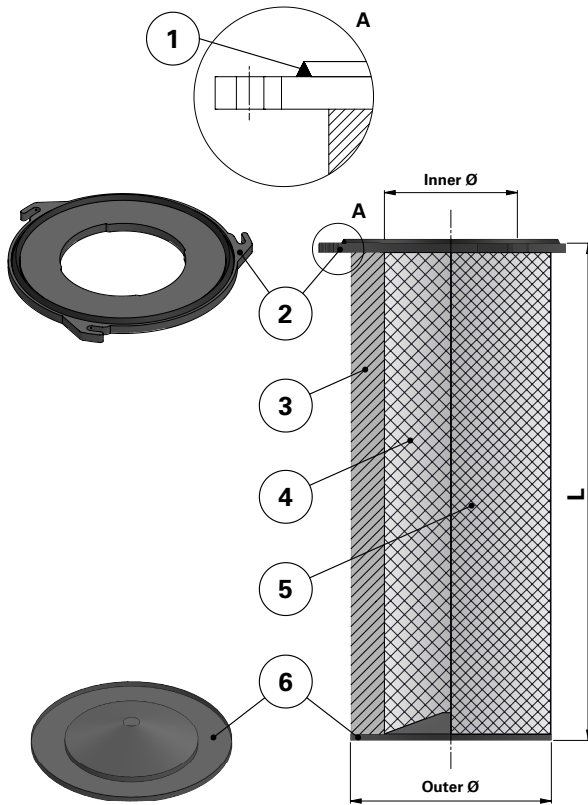
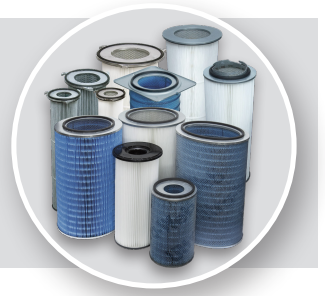


Donaldson
FILTRATION SOLUTIONS

DATA SHEET

Replacement Elements

Cartridges – Series 214 Quick Fix 3 Hook



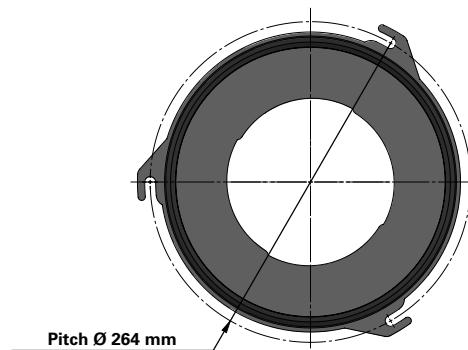
Series 214 Quick Fix 3 Hook

Cartridge Filter with open top end cap with 3 hooks, 264 mm pitch diameter and closed bottom end cap

Special features: Dirty Air Plenum installation for GEA Niro and other brands of cartridge collectors

With outer liner

Top end cap quick fix



Item	Description
1	Gasket above top end cap
2	Top end cap quick fix
3	Media pack
4	Inner liner
5	Outer liner
6	Bottom end cap closed

Dimensions [mm]

Outer Ø	214
Inner Ø	146
L	983
Pitch Ø	264

Order online

shop.Donaldson.com

Contact us

Donaldson.com

Publication DOCAM0819801 • Rev. 00 • 0218

Donaldson reserves the right to change or discontinue any model or specification at any time and without notice. Freedom from patent restrictions must not be assumed.