

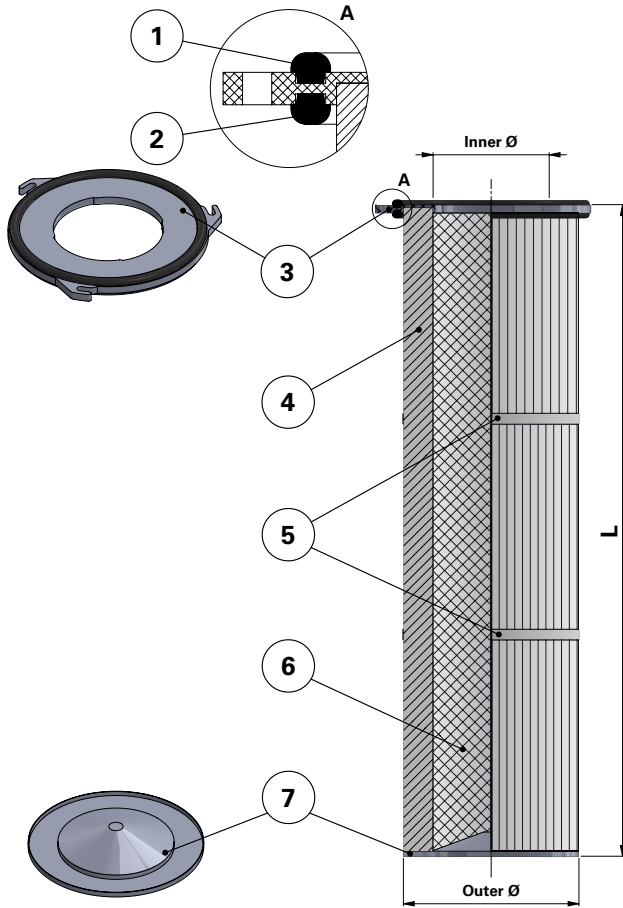
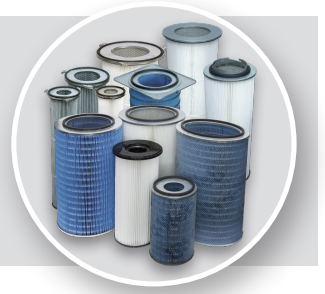


Donaldson  
FILTRATION SOLUTIONS

## DATA SHEET

### Replacement Elements

Cartridges – Series 218 Quick Fix 3 Hook



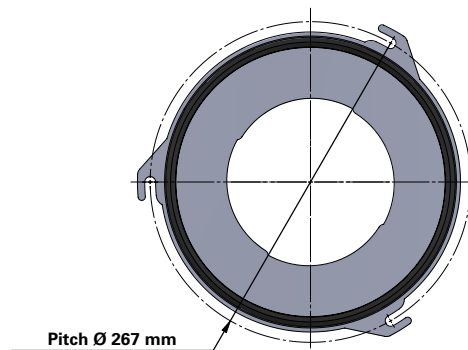
### Series 218 Quick Fix 3 Hook

Cartridge Filter with open top end cap with 3 hooks, 267 mm pitch diameter and closed bottom end cap

Special feature: Dirty Air Plenum and Clean Air Plenum installation for different brands of cartridge collectors

Without outer liner

### Top end cap quick fix



Item	Description
1	Gasket above top end cap
2	Gasket below top end cap
3	Top end cap quick fix
4	Media pack
5	Straps
6	Inner liner
7	Bottom end cap closed

### Dimensions [mm]

Outer Ø	218
Inner Ø	143
L	515
	600
	715
	1000
Pitch Ø	267

Order online

shop.Donaldson.com

Contact us

Donaldson.com

Publication DOCAM0826901 • Rev. 00 • 0218

Donaldson reserves the right to change or discontinue any model or specification at any time and without notice. Freedom from patent restrictions must not be assumed.