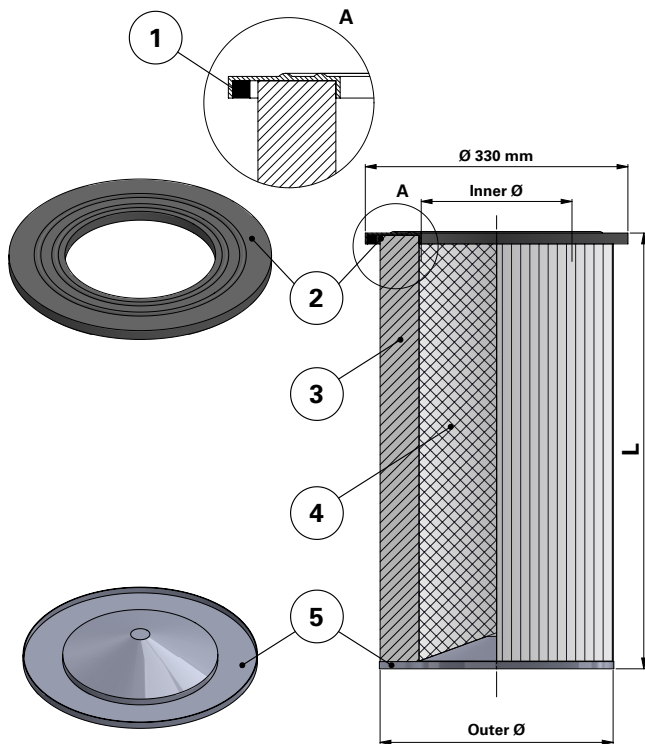
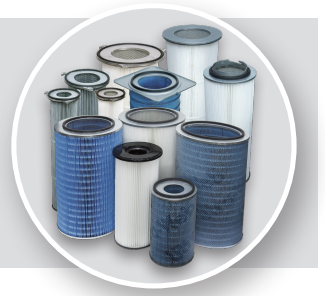




Donaldson
FILTRATION SOLUTIONS

DATA SHEET

Replacement Elements Cartridges – Series 300 – Open Closed



Series 300 – Open Closed

Cartridge Filter with open top end cap and closed bottom end cap

For different brands of cartridge collectors

Without outer liner

Item	Description
1	Gasket
2	Top end cap
3	Media pack
4	Inner liner
5	Bottom end cap closed

Dimensions [mm]	
Outer Ø	300
Inner Ø	190
L	605

Order online

shop.Donaldson.com

Contact us

Donaldson.com

Publication DOCAM0822101 • Rev. 00 • 0218

Donaldson reserves the right to change or discontinue any model or specification at any time and without notice. Freedom from patent restrictions must not be assumed.