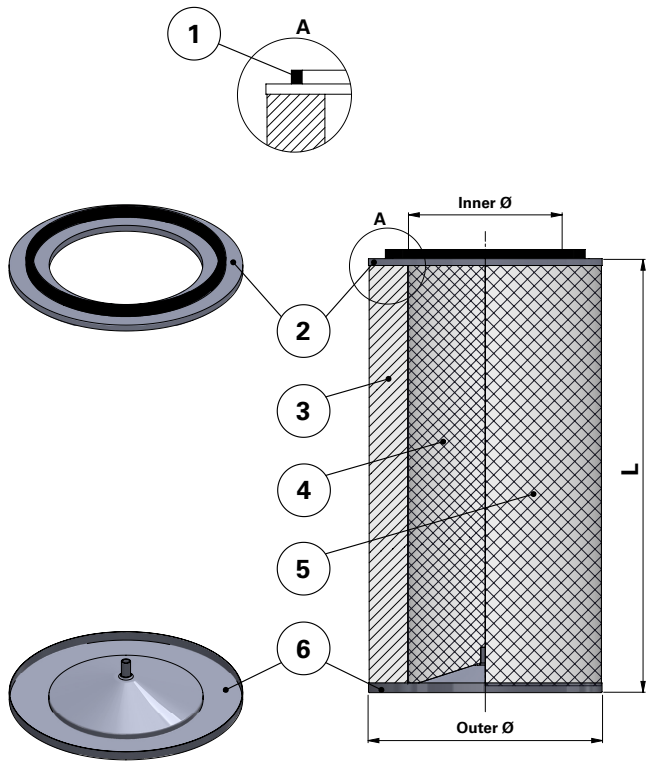




DATA SHEET

Replacement Elements

Cartridges – Series 324 – Open Closed with Built-In Nut



Series 324 – Open Closed with Built-In Nut

Cartridge Filter with open top end cap and closed bottom end cap

For different brands of cartridge collectors

With outer liner

Item	Description
1	Gasket
2	Top end cap
3	Media pack
4	Inner liner
5	Outer liner
6	Bottom end cap closed with built-in nut

Dimensions [mm]

Outer Ø	324
Inner Ø	213
L	660

Order online

shop.Donaldson.com

Contact us

Donaldson.com

Publication DOCAM0824001 • Rev. 00 • 0218

Donaldson reserves the right to change or discontinue any model or specification at any time and without notice. Freedom from patent restrictions must not be assumed.