

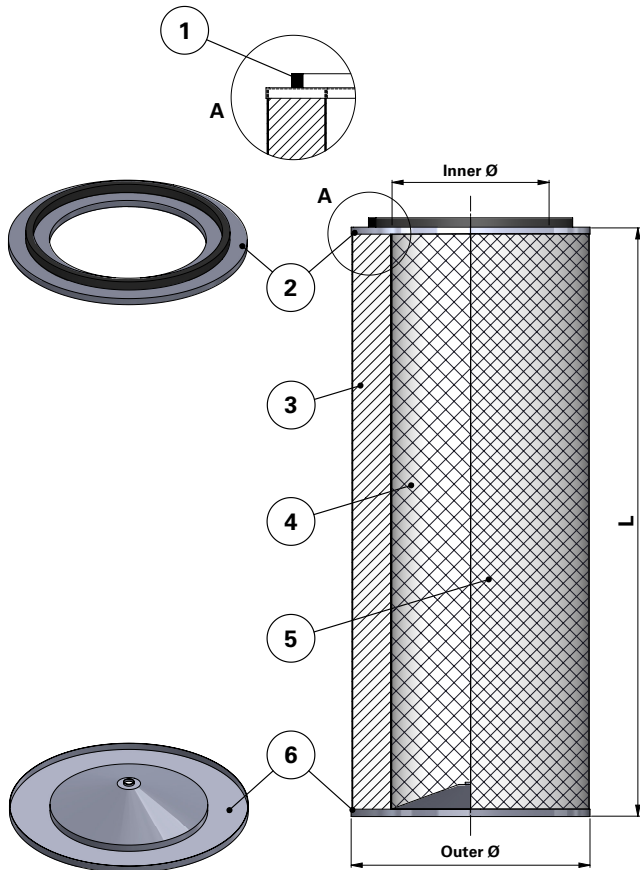
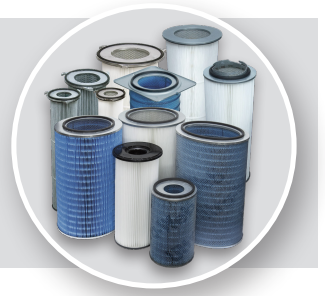


Donaldson  
FILTRATION SOLUTIONS

## DATA SHEET

### Replacement Elements

Cartridges – Series 324 – Open Closed with Hole



### Series 324 – Open Closed with Hole

Cartridge Filter with open top end cap and closed bottom end cap with hole of 13–13.5 mm

For Series 324 and other brands of cartridge collectors

With outer liner

| Item | Description                             |
|------|---|
| 1    | Gasket                                  |
| 2    | Top end cap                             |
| 3    | Media pack                              |
| 4    | Inner liner                             |
| 5    | Outer liner                             |
| 6    | Bottom end cap with<br>Ø13–13.5 mm hole |

### Dimensions [mm]

|         |     |
|---------|-----|
| Outer Ø | 324 |
| Inner Ø | 213 |
| L       | 600 |
|         | 660 |

Order online

shop.Donaldson.com

Contact us

Donaldson.com

Publication DOCAM0818201 • Rev. 00 • 0318

Donaldson reserves the right to change or discontinue any model or specification at any time and without notice. Freedom from patent restrictions must not be assumed.