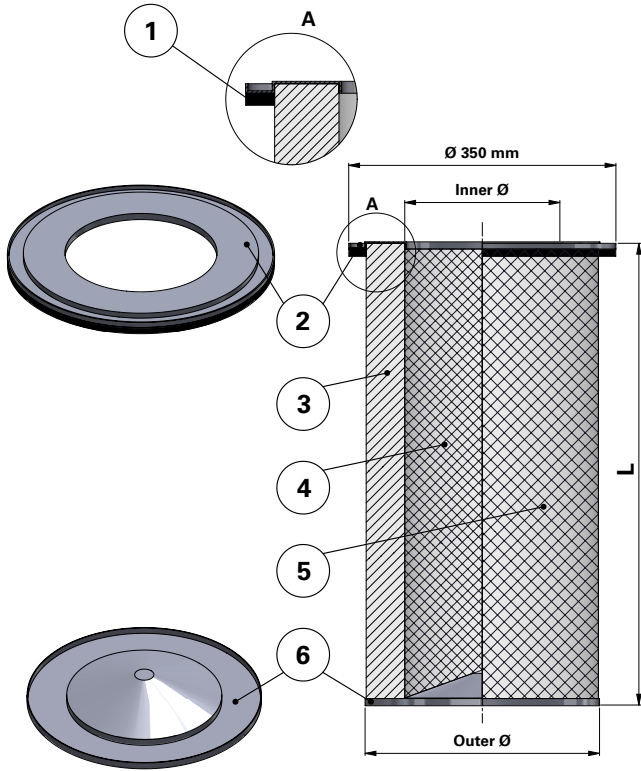
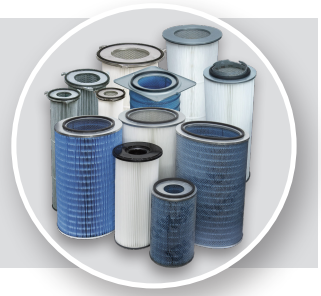




# DATA SHEET

## Replacement Elements Cartridges – Series 325 – Open Closed



### Series 325 – Open Closed

Cartridge Filter with open top end cap and closed bottom end cap

For different brands of cartridge collectors

With outer liner

| Item | Description           |
|------|-----------------------|
| 1    | Gasket                |
| 2    | Top end cap           |
| 3    | Media pack            |
| 4    | Inner liner           |
| 5    | Outer liner           |
| 6    | Bottom end cap closed |

### Dimensions [mm]

|         |     |
|---------|-----|
| Outer Ø | 325 |
| Inner Ø | 216 |
| L       | 665 |

Order online

shop.Donaldson.com

Contact us

Donaldson.com

Publication DOCAM0824201 • Rev. 00 • 0218

Donaldson reserves the right to change or discontinue any model or specification at any time and without notice. Freedom from patent restrictions must not be assumed.