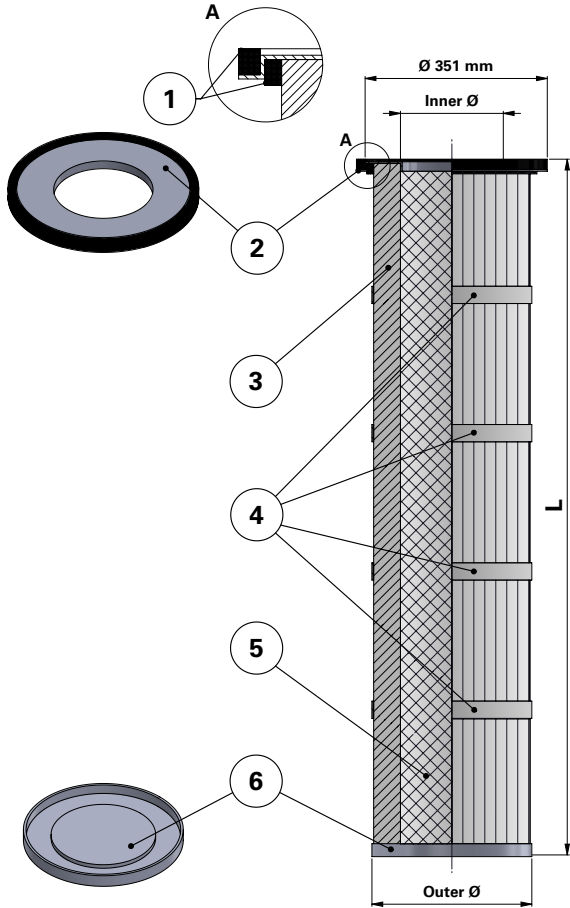
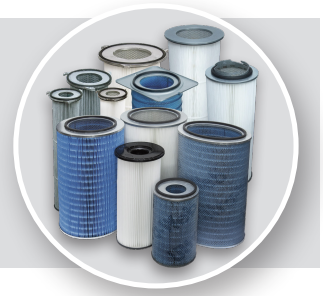




DATA SHEET

Replacement Elements Cartridges – Series 325 – Open Closed



Series 325 – Open Closed

Cartridge Filter with open top end cap and closed bottom end cap

Special features: Clean Air Plenum installation and 2 gaskets flange for different brands of cartridge collectors

Without outer liner

Item	Description
1	Gaskets
2	Top end cap
3	Media pack
4	Straps
5	Inner liner
6	Bottom end cap closed

Dimensions [mm]

Outer Ø	325
Inner Ø	215
L	1610

[Order online](https://shop.Donaldson.com)
shop.Donaldson.com

Contact us
Donaldson.com

Publication DOCAM0826501 • Rev. 00 • 0218

Donaldson reserves the right to change or discontinue any model or specification at any time and without notice. Freedom from patent restrictions must not be assumed.