

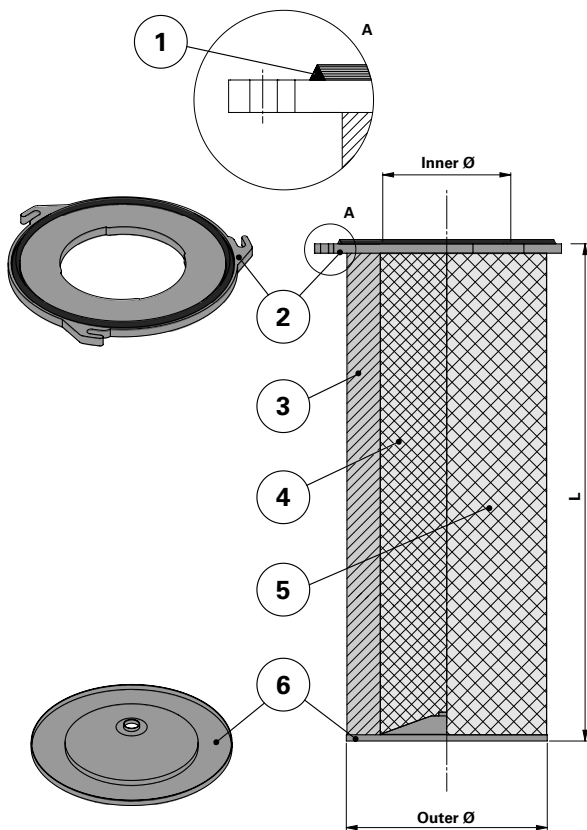
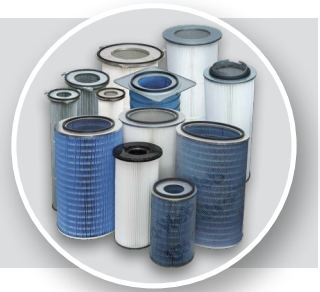


Donaldson
FILTRATION SOLUTIONS

DATA SHEET

Replacement Elements

Cartridges – Series 325 Quick Fix 3 Hook



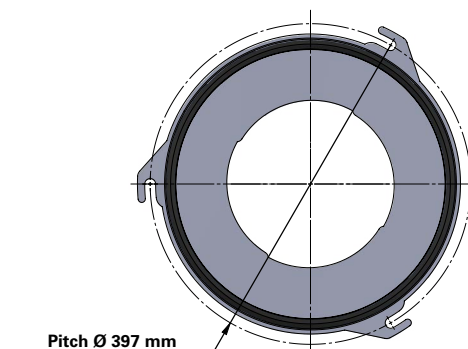
Series 325 Quick Fix 3 Hook

Cartridge Filter with open top end cap with 3 hooks, 397 mm pitch diameter and closed bottom end cap

Special features: Bottom end cap closed with 13 mm hole and Dirty Air Plenum installation
For Air Liquide and other brands of cartridge collectors

With outer liner

Top end cap quick fix



Item	Description
1	Gasket
2	Top end cap quick fix
3	Media pack
4	Inner liner
5	Outer liner
6	Bottom end cap with Ø13 mm hole

Dimensions [mm]

Outer Ø	325
Inner Ø	213
L	618
Pitch Ø	397

Order online

shop.Donaldson.com

Contact us

Donaldson.com

Publication DOCAM0832801 • Rev. 00 • 0119

Donaldson reserves the right to change or discontinue any model or specification at any time and without notice. Freedom from patent restrictions must not be assumed.