

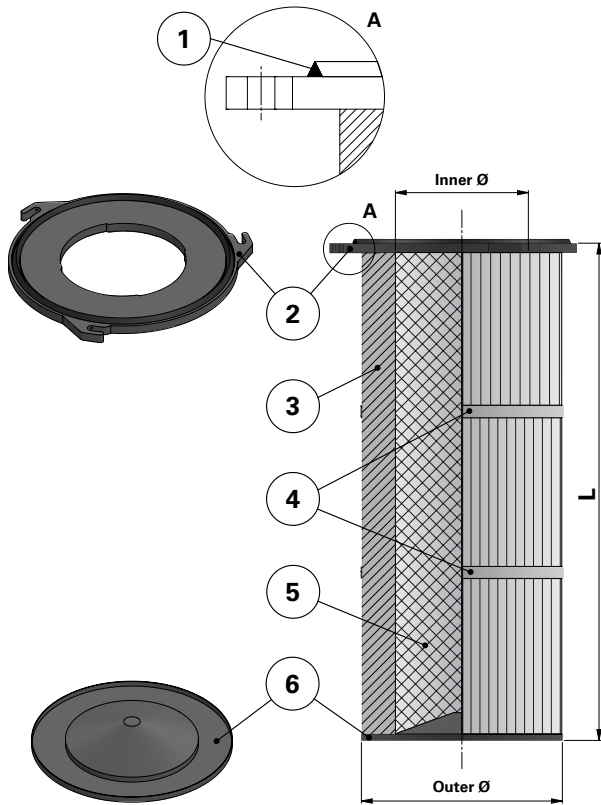
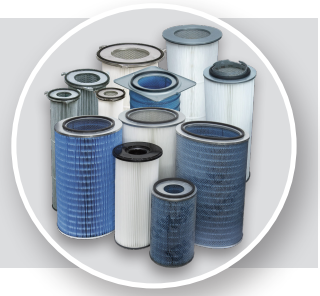


Donaldson
FILTRATION SOLUTIONS

DATA SHEET

Replacement Elements

Cartridges – Series 325 Quick Fix 3 Hook Small



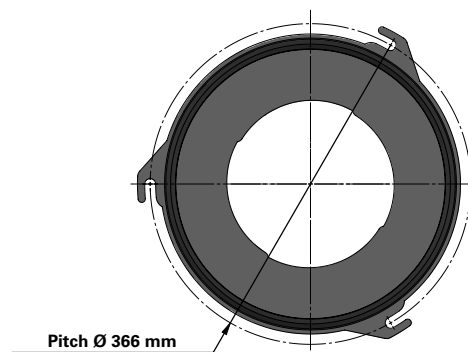
Series 325 Quick Fix 3 Hook Small

Cartridge Filter with open top end cap with 3 hooks, 366 mm pitch diameter and closed bottom end cap

Special feature: Dirty Air Plenum installation for different brands of cartridge collectors

Without outer liner

Top end cap quick fix



Item	Description
1	Gasket above top end cap
2	Top end cap quick fix
3	Media pack
4	Straps
5	Inner liner
6	Bottom end cap closed

Dimensions [mm]

Outer Ø	325
Inner Ø	213
L	1000
	1018
	1518
Pitch Ø	366

Order online

shop.Donaldson.com

Contact us

Donaldson.com

Publication DOCAM0819601 • Rev. 00 • 0218

Donaldson reserves the right to change or discontinue any model or specification at any time and without notice. Freedom from patent restrictions must not be assumed.