

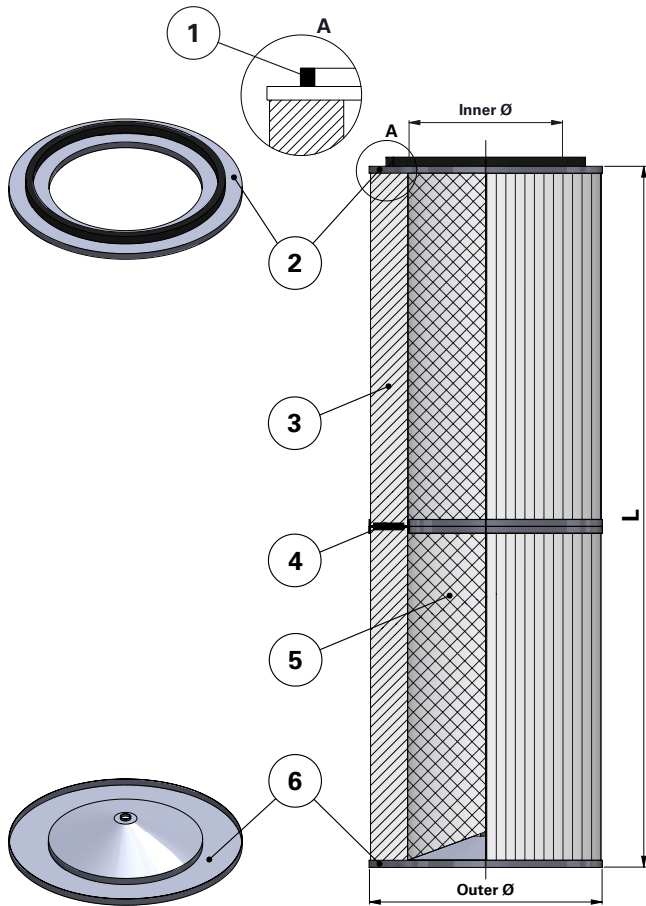
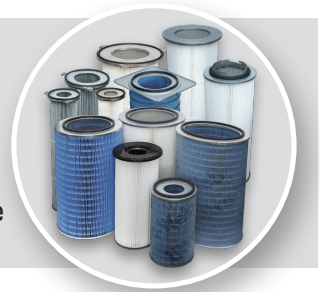


Donaldson
FILTRATION SOLUTIONS

DATA SHEET

Replacement Elements

Cartridges – Series Kemper 352 – Open Closed with Hole – Kit without Yoke



Cartridges – Series Kemper 352 – Open Closed with Hole – Kit without Yoke

Cartridge Filter with open top end cap and closed bottom end cap with hole of 16 mm

Special features: Kit without yoke consisting of cartridge with open top end cap and open bottom end cap x 600 mm long and cartridge with open top end cap and closed bottom end cap with hole of 16 mm x 600 mm long

For Kemper and other brands of cartridge collectors

Without outer liner

Item	Description
1	Gasket
2	Top end cap
3	Media pack
4	Gasket between 2 elements
5	Inner liner
6	Bottom end cap with Ø16 mm hole

Dimensions [mm]

Outer Ø	352
Inner Ø	240
L	1200

Order online

shop.Donaldson.com

Contact us

Donaldson.com

Publication DOCAM0825601 • Rev. 00 • 0218

Donaldson reserves the right to change or discontinue any model or specification at any time and without notice. Freedom from patent restrictions must not be assumed.