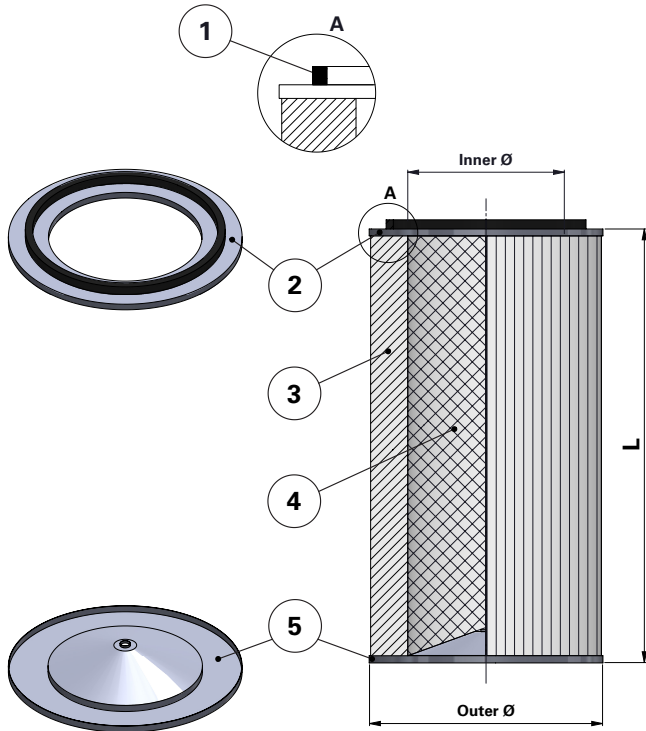




# DATA SHEET

## Replacement Elements

Cartridges – Series Kemper 352 – Open Closed with Hole



### Series Kemper 352 – Open Closed with Hole

Cartridge Filter with open top end cap and closed bottom end cap with hole of 16 mm

For Kemper and other brands of cartridge collectors

Without outer liner

Item	Description
1	Gasket
2	Top end cap
3	Media pack
4	Inner liner
5	Bottom end cap with Ø16 mm hole

### Dimensions [mm]

Outer Ø	352
Inner Ø	240
L	600

[Order online](https://shop.Donaldson.com)  
shop.Donaldson.com

Contact us  
Donaldson.com

Publication DOCAM0825701 • Rev. 00 • 0218

Donaldson reserves the right to change or discontinue any model or specification at any time and without notice. Freedom from patent restrictions must not be assumed.