

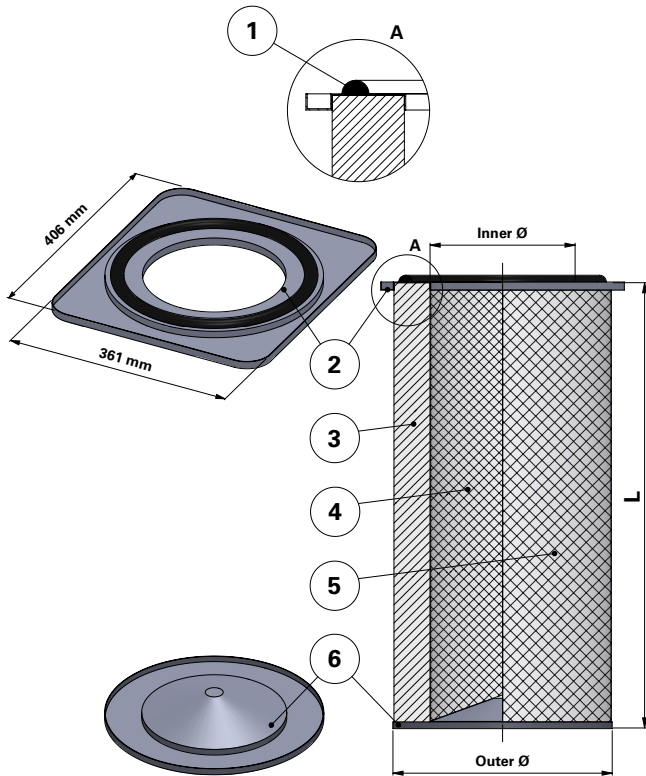
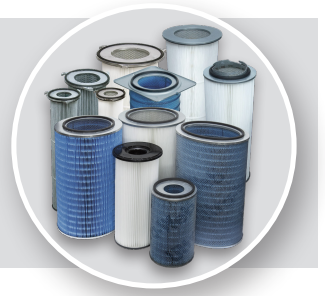


Donaldson
FILTRATION SOLUTIONS

DATA SHEET

Replacement Elements

Cartridges – Square Flange (361 × 406) – Open Closed



Square Flange (361 × 406) – Open Closed

Cartridge Filter with square top end cap with 361 mm by 406 mm rectangle flange

For different brands of cartridge collectors

With outer liner

Item	Description
1	Gasket
2	Top flange
3	Media pack
4	Inner liner
5	Outer liner
6	Bottom end cap closed

Dimensions [mm]

Outer Ø	324
Inner Ø	213
L	660
Flange	361 × 406

Order online

shop.Donaldson.com

Contact us

Donaldson.com

Publication DOCAM0827401 • Rev. 00 • 0218

Donaldson reserves the right to change or discontinue any model or specification at any time and without notice. Freedom from patent restrictions must not be assumed.