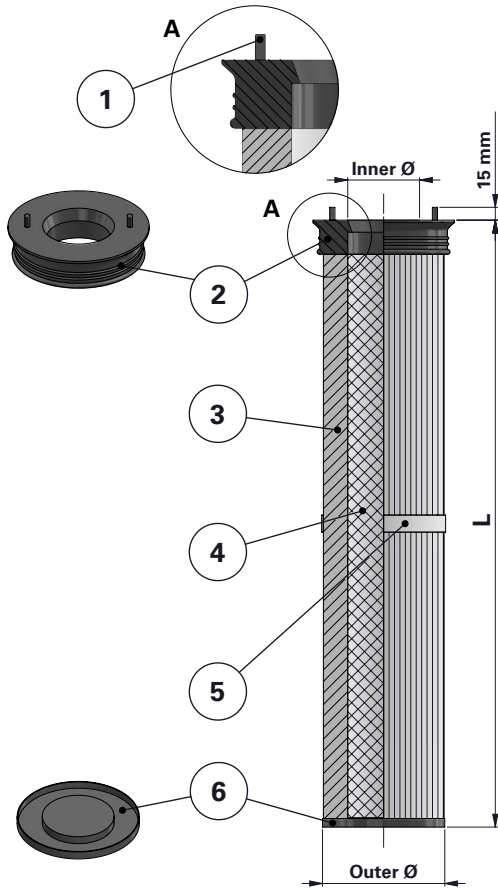
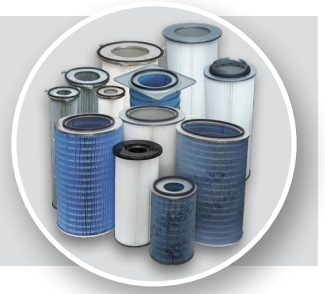




Donaldson  
FILTRATION SOLUTIONS

## DATA SHEET

### Replacement Elements Cartridges – WAM® Style – 2 Bolts



#### WAM Style – 2 Bolts

Cartridge Filter with open top end cap and closed bottom end cap

Special features: With 2 bolts and Clean Air Plenum installation for WAM and other brands of cartridge collectors

Without outer liner

Item	Description
1	M6 bolt
2	Soft header material
3	Media pack
4	Inner liner
5	Strap
6	Bottom end cap

#### Dimensions [mm]

Outer Ø	143
Inner Ø	82
L	510
	760
	910

Order online

shop.Donaldson.com

Contact us

Donaldson.com

Publication DOCAM0818301 • Rev. 00 • 1118

Donaldson reserves the right to change or discontinue any model or specification at any time and without notice. Freedom from patent restrictions must not be assumed.