

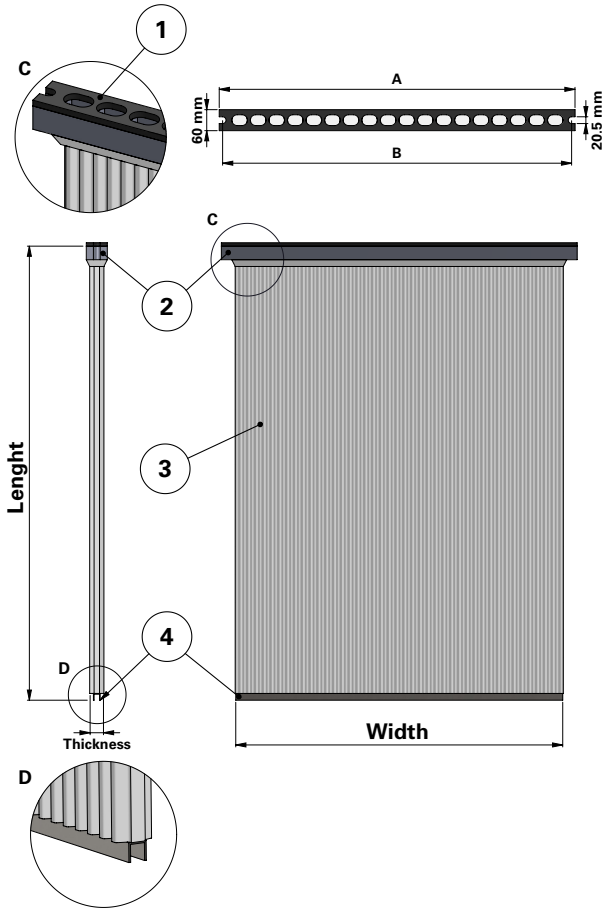
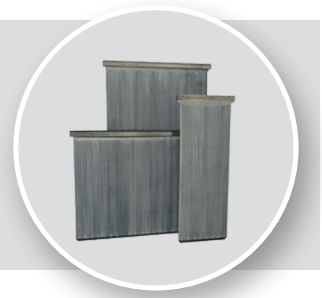


Donaldson
FILTRATION SOLUTIONS

DATA SHEET

Replacement Elements

Panels – Herding HSL Style – Dirty Air Side



Herding HSL Style – Dirty Air Side

HSL-style Panel Filter

Special feature: Stainless Steel without Silicone for Herding HSL 900/8, HSL 900/18, HSL 1200/18, HSL 1500/8, HSL 1500/12, HSL 1500/18 and other brands of collectors

Item	Description
1	Gasket
2	Header
3	Sintered media
4	Rail

	Dimensions [mm]					
	Width	Length	Thickness	Number of holes	A	B
900/8	440	948	42	8	496	492
900/18	990	948	42	18	1046	1042
1200/18	990	1258	42	18	1046	1042
1500/8	440	1560	42	8	496	492
1500/12	660	1560	42	12	716	712
1500/18	990	1560	42	18	1046	1042

Order online

shop.Donaldson.com

Contact us

Donaldson.com

Publication DOCAM0830801 • Rev. 00 • 0518

Donaldson reserves the right to change or discontinue any model or specification at any time and without notice. Freedom from patent restrictions must not be assumed.