

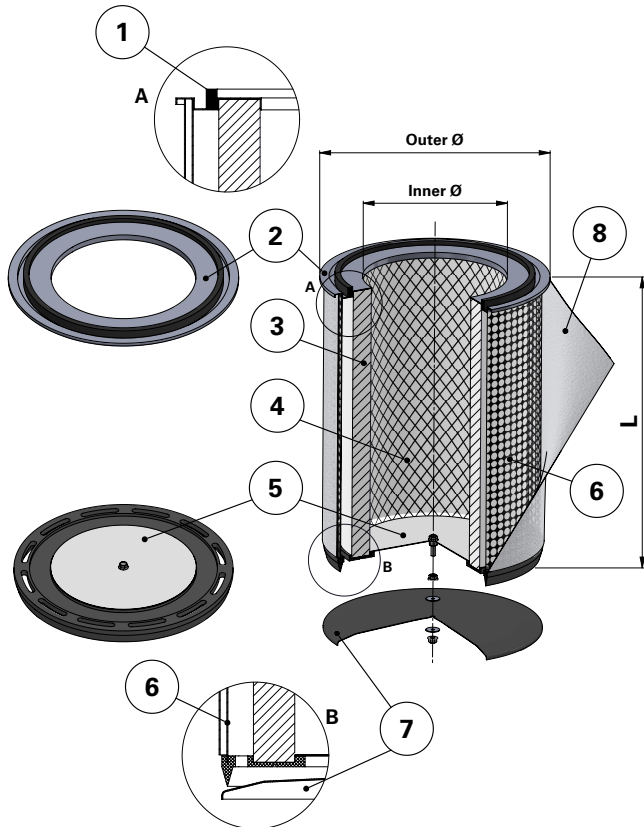


Donaldson
FILTRATION SOLUTIONS

DATA SHEET

Replacement Elements

Cartridges – Vibra-Shake Style 550, 1200, 1500 – Open Closed



Vibra-Shake Style 550, 1200, 1500 – Open Closed

Vibra-Shake Style Cartridge Filter

Special feature: With open/closed end caps and wrap for Vibra-Shake 550, 1200, 1500 and other brands of cartridge collectors

With outer liner

Item	Description
1	Gasket
2	Top end cap
3	Media pack
4	Inner liner
5	Bottom diaphragm plate
6	Outer liner
7	Bottom cover
8	Wrap

Dimensions [mm]	
Outer Ø	422
Inner Ø	269
L	274
	528
	680

Order online

shop.Donaldson.com

Contact us

Donaldson.com

Publication DOCAM0828801 • Rev. 00 • 0318

Donaldson reserves the right to change or discontinue any model or specification at any time and without notice. Freedom from patent restrictions must not be assumed.