

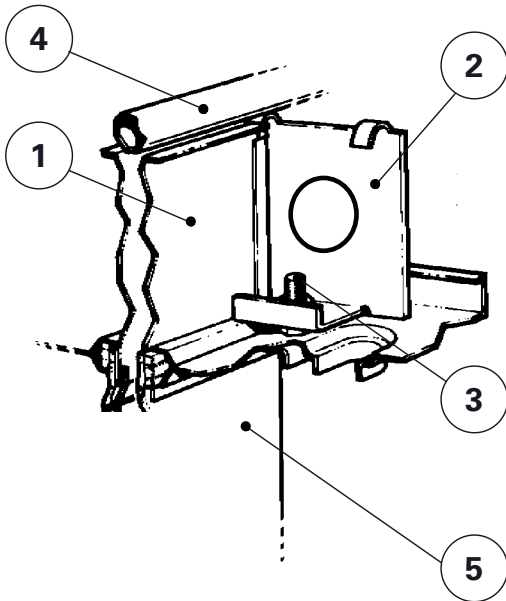


Donaldson  
FILTRATION SOLUTIONS

## DATA SHEET

### Installation Instruction

#### Dalamatic Pleated Bag Retrofit Kit



#### Dalamatic Pleated Bag Retrofit Kit

1. Remove header cover if fitted
2. Unbolt and remove jet tubes
3. Remove existing filter bag, insert, and clamp
4. Install new filter element
5. Put venturi (1) on the header of the new filter element
6. Fix venturi against tube sheet using the new clamp (2) and the new long nut (3)

Note: When using anti-static media, earthing cables of the filter element should be fastened to the clamp

Item	Description
------	-------------

1	Venturi
2	Clamp
3	Long nut
4	Jet tube
5	Filter element

Order online

[shop.Donaldson.com](http://shop.Donaldson.com)

Contact us

[Donaldson.com](http://Donaldson.com)

Publication DOCAM1132301 • Rev. 02 • 1219

Donaldson reserves the right to change or discontinue any model or specification at any time and without notice. Freedom from patent restrictions must not be assumed.