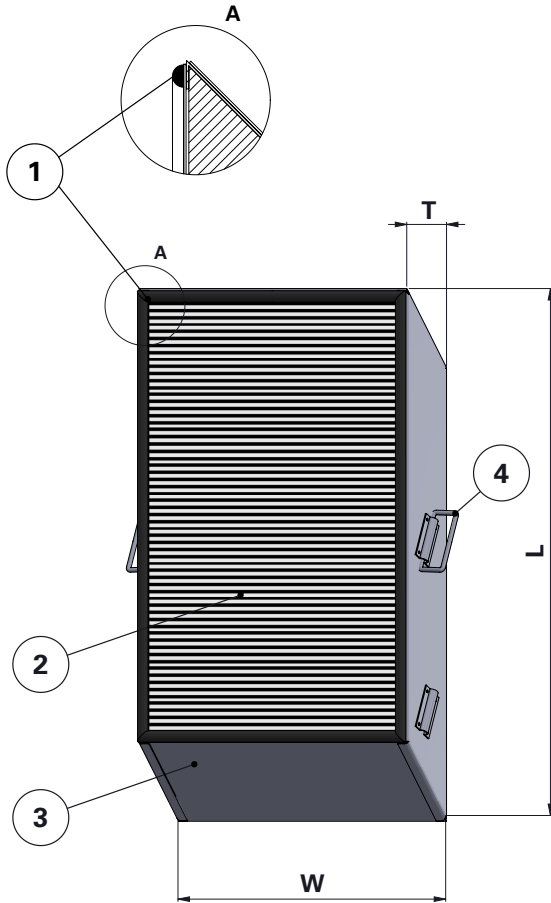
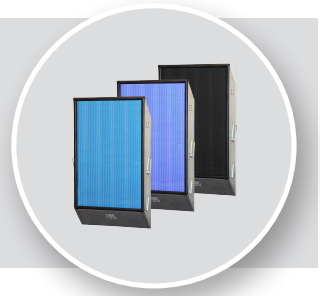


DATA SHEET

Replacement Elements PowerCore® Filter Pack – VH



PowerCore® Filter Pack – VH

For VH and other brands of collectors

Item	Description
1	Gasket
2	Media pack
3	Metal frame
4	Handle

Dimensions [mm]	
L	921
W	543
T	135

Order online

shop.Donaldson.com

Contact us

Donaldson.com

Publication DOCAM0829601 • Rev. 00 • 0318

Donaldson reserves the right to change or discontinue any model or specification at any time and without notice. Freedom from patent restrictions must not be assumed.